



# KEEWAY

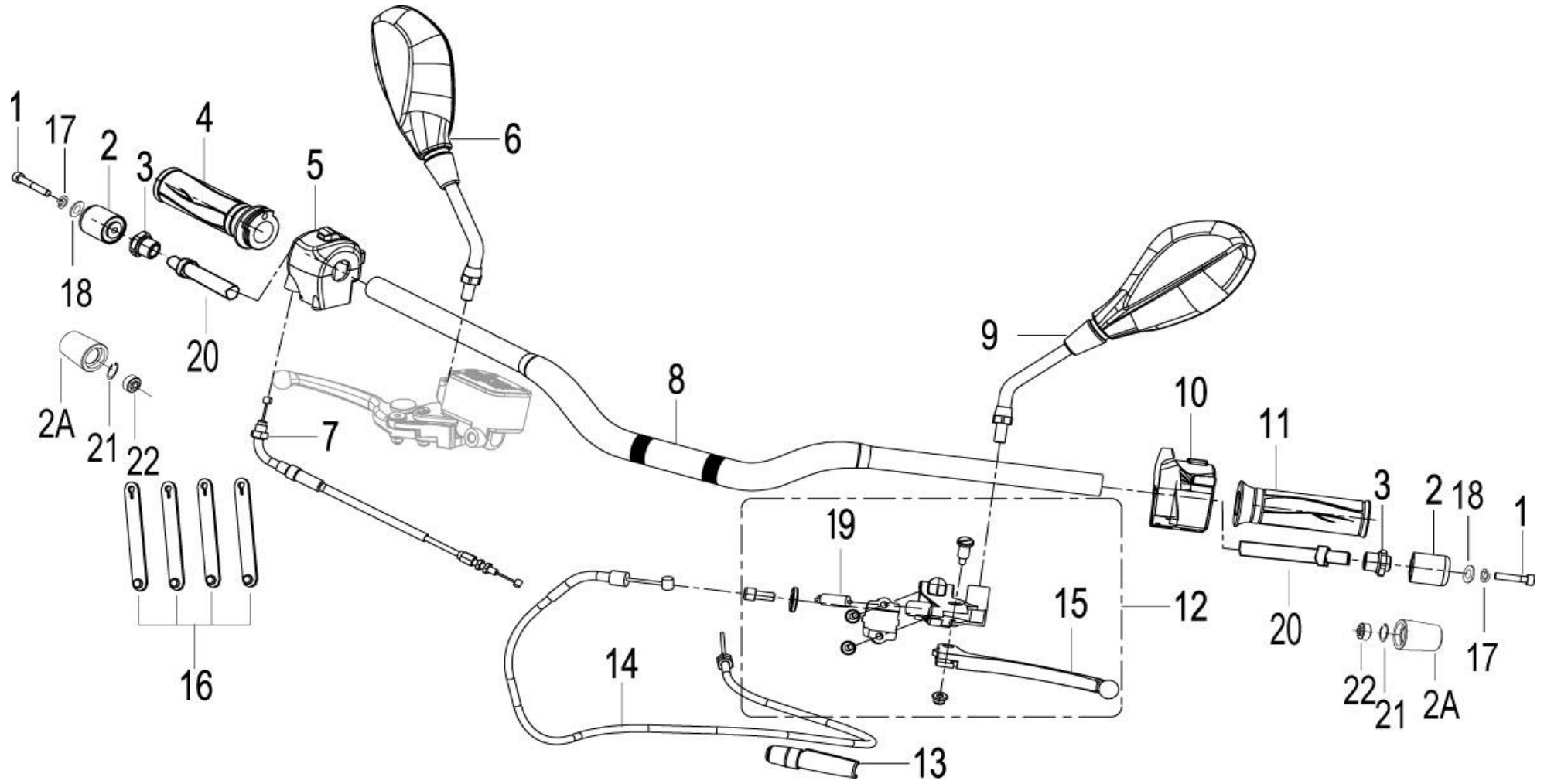
## MOTOR

### S.P.Catalog TNT25

COLOR	WHITE	GREEN	GRAPHITEBLACK	RED
CODE	WF	GT	BC	F9
PICTURE				

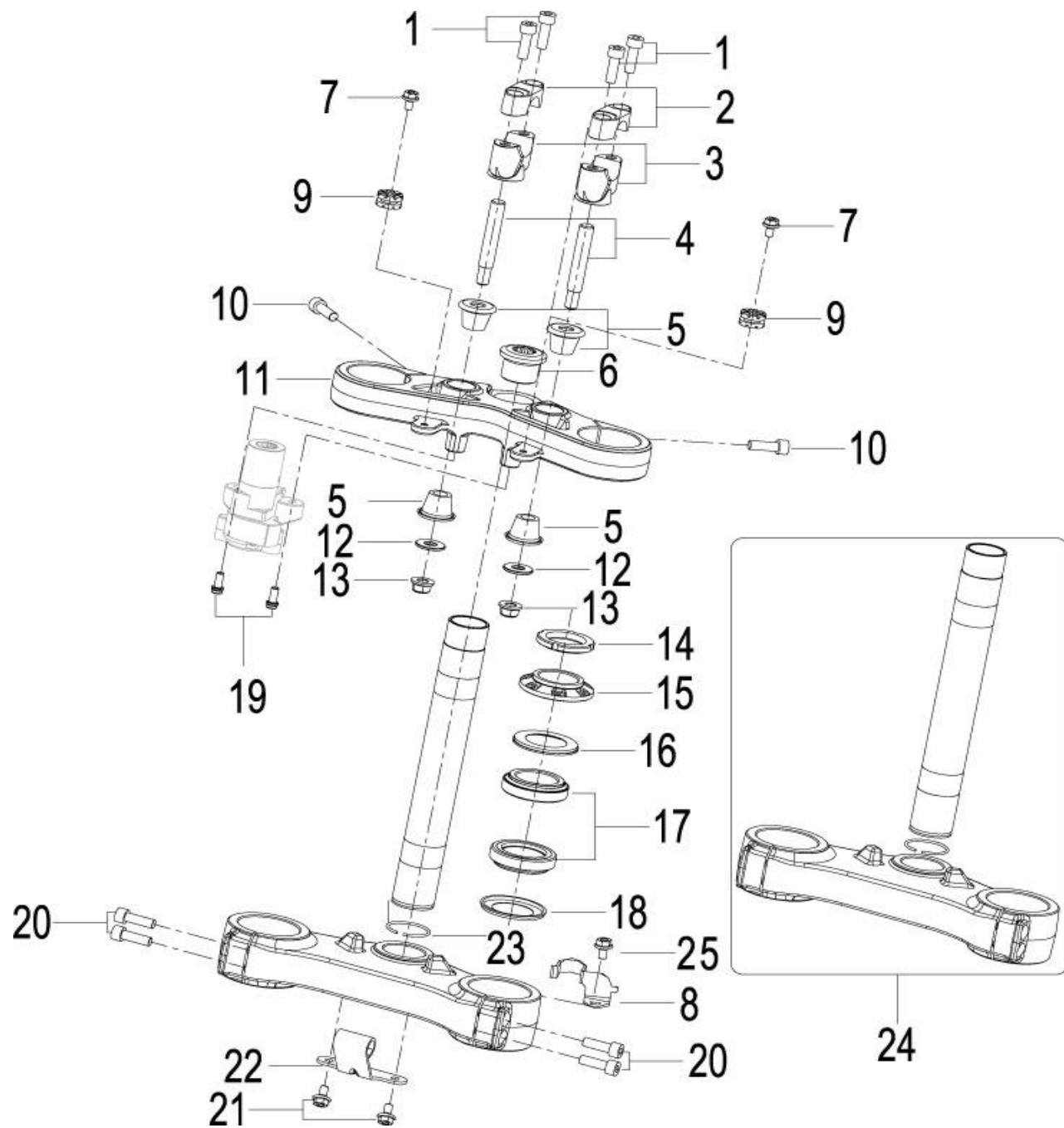
JCK(Q17-00)-BJ250-15(非欧规、电喷) -1A	C25150040000	QJ172MM-A
JCK (Q17-25) -BJ250-15 (电喷、EPA) -1A	C25150040000	QJ172MM-A
JCK (Q102-01) -BJ250-15 (非欧规、电喷) -1A散件	C25150050000	QJ172MM-A
JCK (Q19-01) -BJ250-15 (非欧规、电喷) -1A半散件	C2515007HT00	QJ172MM-A
JCK (Q19-02) -BJ250-15 (非欧规、电喷) -1A散件	C25150040000	QJ172MM-A
JCK (Q18-83) -BJ250-15 (电喷) -1A散件	C2515009HT00	QJ172MM-A
JCK (Q18-123) -BJ250-15 (非欧规电喷) -1A	C25150040000	QJ172MM-A
JCK (Q18-61) -BJ250-15 (电喷) -1A散件	C2515010HT00	QJ172MM-A
JCK (Q18-40) -BJ250-15 (非欧规、电喷) -1A	C25150040000	QJ172MM-A
JCK (Q17-91) -BJ250-15 (电喷) -1A散件	C25150040000	QJ172MM-A
JCK (Q17-69) -BJ250-15 (非欧规、电喷) -1A	C25150040000	QJ172MM-A
JCK (Q18-104) -BJ250-15 (电喷、欧III) -1A	C2515010HT00	QJ172MM-A
JCK (Q17-88) -BJ250-15 (电喷) -1A	C25150040000	QJ172MM-A
JCK (Q18-83) -BJ250-15 (电喷) -2B散件	C2515009HT00	QJ172MM-A
JCK (Q19-12) -BJ250-15 (非欧规、电喷) -1A散件	C25150040000	QJ172MM-A
JCK(Q18-120)-BJ250-15(非欧规、电喷)-1A散件	C25150040000	QJ172MM-A

F01操纵 CONTROL ASSY.



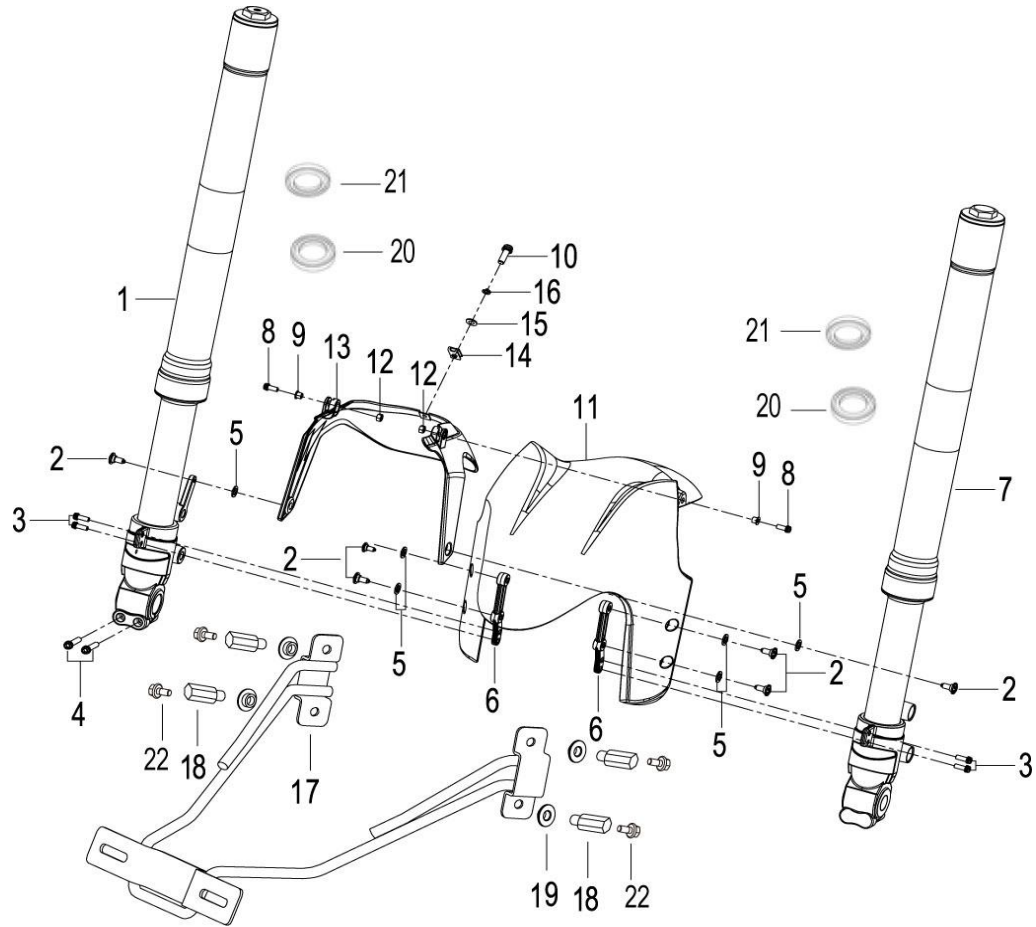
Model	NO.	Position No.	CODE	ENDESCRIPTION	Qty/Unit	REMARK
TNT25	1	F01	B02050603565	GRIP END SCREW M6x35	2	
TNT25	2A	F01	40031P130003	GRIP END	2	
TNT25	3	F01	40032P250000	GRIP END MOUNTING SEAT	2	
TNT25	4	F01	40210K740000	RIGHT HANDLEBAR GRIP	1	
TNT25	5	F01	40600M140000	RIGHT HANDLEBAR SWITCH AUTOMATIC HEADLIGHT ON	1	
TNT25	6	F01	40480N220001	RR VIEW MIRROR ASSY	1	
TNT25	7	F01	40300N220000	THROTTLE CABLE ASSY	1	
TNT25	8	F01	40101K740100	HANDLEBAR ASSY	1	
TNT25	9	F01	40450N220001	LR VIEW MIRROR ASSY	1	
TNT25	10	F01	40500N220000	LEFT HANDLEBAR SWITCH	1	
TNT25	11	F01	40001K740000	LEFT HANDLEBAR GRIP	1	
TNT25	12	F01	40080S01012Z	CLUTCH LEVER ASSY	1	
TNT25	13	F01	40017J130000	CLUTCH CABLE RUBBER COVER	1	
TNT25	14	F01	40400N220002	CLUTCH CABLE ASSY	1	
TNT25	15	F01	40084S010001	CLUTCH LEVER	1	
TNT25	16	F01	49371T620000	RUBBER BAND	4	
TNT25	17	F01	B07000000605	SINGLE COIL SPRING LOCK WASHER 6	2	
TNT25	18	F01	B07030000605	WASHER 6	2	
TNT25	19	F01	40088S010000	CLUTCH SWITCH	1	
TNT25	20	F01	40031S010000	BALANCER	2	
TNT25	21	F01	B080000020AA	CIRCLIP	2	
TNT25	22	F01	40040P130000	BUSH	2	

F02 前叉 FORK ASSY.



Model	NO.	Position No.	CODE	EN DESCRIPTION	Qty/Unit	REMARK
TNT25	1	F02	B02810802562	BOLT M8x1.25x25	4	
TNT25	2	F02	43013P010000	UPPER HANDLEBAR HOLDER	2	
TNT25	3	F02	43014P010000	LOWER HANDLEBAR HOLDER	2	
TNT25	4	F02	40086P010002	HANDLEBAR STUD	2	
TNT25	5	F02	47015P010010	DAMPER	4	
TNT25	6	F02	43049P250000	UPPER BRACKET PINCH BOLT	1	
TNT25	7	F02	B0284060250A	STAINLESS SCREW M6x25	2	
TNT25	8	F02	43036P100000	RIGHT BRAKE HOSE HOLDER	1	
TNT25	9	F02	65618J820000	RUBBER CUSHION	2	
TNT25	10	F02	B02810802562	BOLT M8x1.25x25	2	
TNT25	11	F02	43011P100000	UPPER BRACKET	1	
TNT25	12	F02	40089P010000	HANDLEBAR DOWEL WASHER	2	
TNT25	13	F02	B04821012552	SELF-LOCKING NUT M10x1.25	2	
TNT25	14	F02	43008S010010	STEERING STEM HEAD NUT	1	
TNT25	15	F02	43009P260000	STEERING STEM NUT	1	
TNT25	16	F02	43005S010000	DUST SEAL	1	
TNT25	17	F02	43130S010000	STEER BEARING	2	
TNT25	18	F02	43005S010000	DUST SEAL	1	
TNT25	19	F02	B0207060202H	HEXALOBULAR SOCKET HEAD SCREWS M6x1x20	2	
TNT25	20	F02	B02810803062	BOLT M8x1.25x30	4	
TNT25	21	F02	B0109060126H	BOLT M6x12	2	
TNT25	22	F02	08346N220000	LOWER HEAD LIGHT BRACKET	1	
TNT25	23	F02	43103S010000	LOCKING RING	1	
TNT25	24	F02	43100P100000	LOWER BRACKET	1	
TNT25	25	F02	B01090601065	BOLT M6x10	1	

F03 前震器 FRONT ABSORBER ASSY.



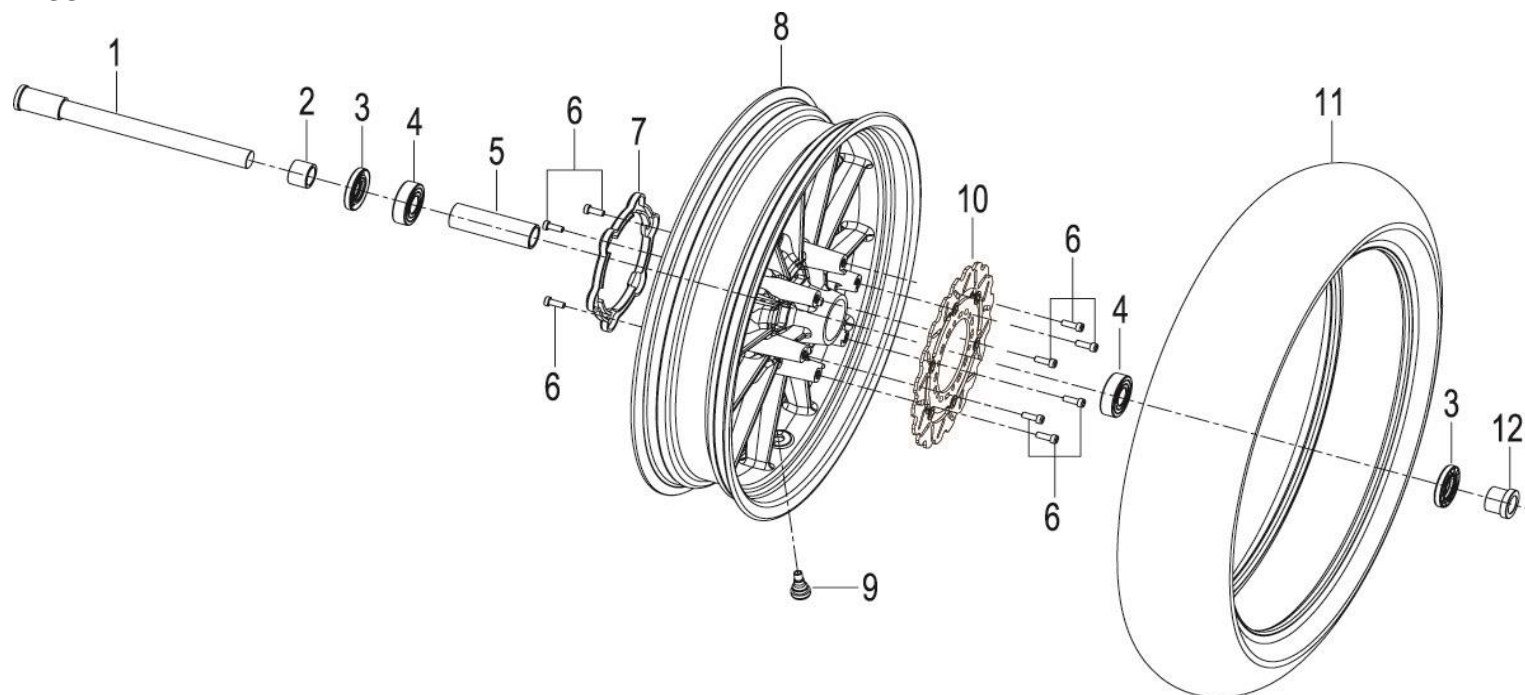
65101P25ML00 old



65101P10F900 new

Model	NO.	Position No.	CODE	EN DESCRIPTION	Qty/Unit	REMARK
TNT25	1	F03	43300N220020	FRONT RIGHT SHOCK ABSORBER ASSY.	1	
TNT25	2	F03	B0284060150A	SCREW M6x15.2	6	
TNT25	3	F03	B02810601462	SCREW M6x14	4	
TNT25	4	F03	B02810603062	BOLT M6x30	2	
TNT25	5	F03	47936S010000	NYLON WASHER	6	
TNT25	6	F03	65141S010000	FRONT FENDER MOUNTING BRACKET	2	
TNT25	7	F03	43200N220002	FRONT LEFT SHOCK ABSORBER ASSY.	1	
TNT25	8	F03	B02810501462	BOLT M5x0.8x14	2	
TNT25	9	F03	65105S040000	T BUSHING 5x7x6x10x0.8	2	
TNT25	10	F03	B02180501262	SCREW M5x12	1	
TNT25	11	F03	65101P10WF00	FRONT FENDER,WHITE WF	1	
TNT25	11	F03	65101P10GT00	FRONT FENDER,GREEN GT	1	
TNT25	11	F03	65101P10BC00	FRONT FENDER,GRAPHITE BC	1	
TNT25	11	F03	65101P10F900	FRONT FENDER,RED F9	1	
TNT25	11	F03	65101P10001Z	FRONT FENDER,WHITE WF,WITH STICKER	1	
TNT25	11	F03	65101P10002Z	FRONT FENDER,GREEN GT,WITH STICKER	1	
TNT25	11	F03	65101P10003Z	FRONT FENDER,GRAPHITE BC,WITH STICKER	1	
TNT25	11	F03	65101P10004Z	FRONT FENDER RED F9,WITH STICKER	1	
TNT25	12	F03	B04000500052	NUT M5	2	
TNT25	13	F03	65102N220010	FRONT FENDER FRONT PART	1	
TNT25	14	F03	08053G120000	NUT	1	
TNT25	15	F03	B0703000050A	WASHER Φ5	1	
TNT25	16	F03	B0700000050L	SINGLE COIL SPRING LOCK WASHER Φ5	1	
TNT25	20	F03	43260N220010	OIL SEAL.FRONT SHOCK ABSORBER 41 x 54 x 11	2	
TNT25	21	F03	43290N220001	DUST SEAL,MARK:NOK	2	

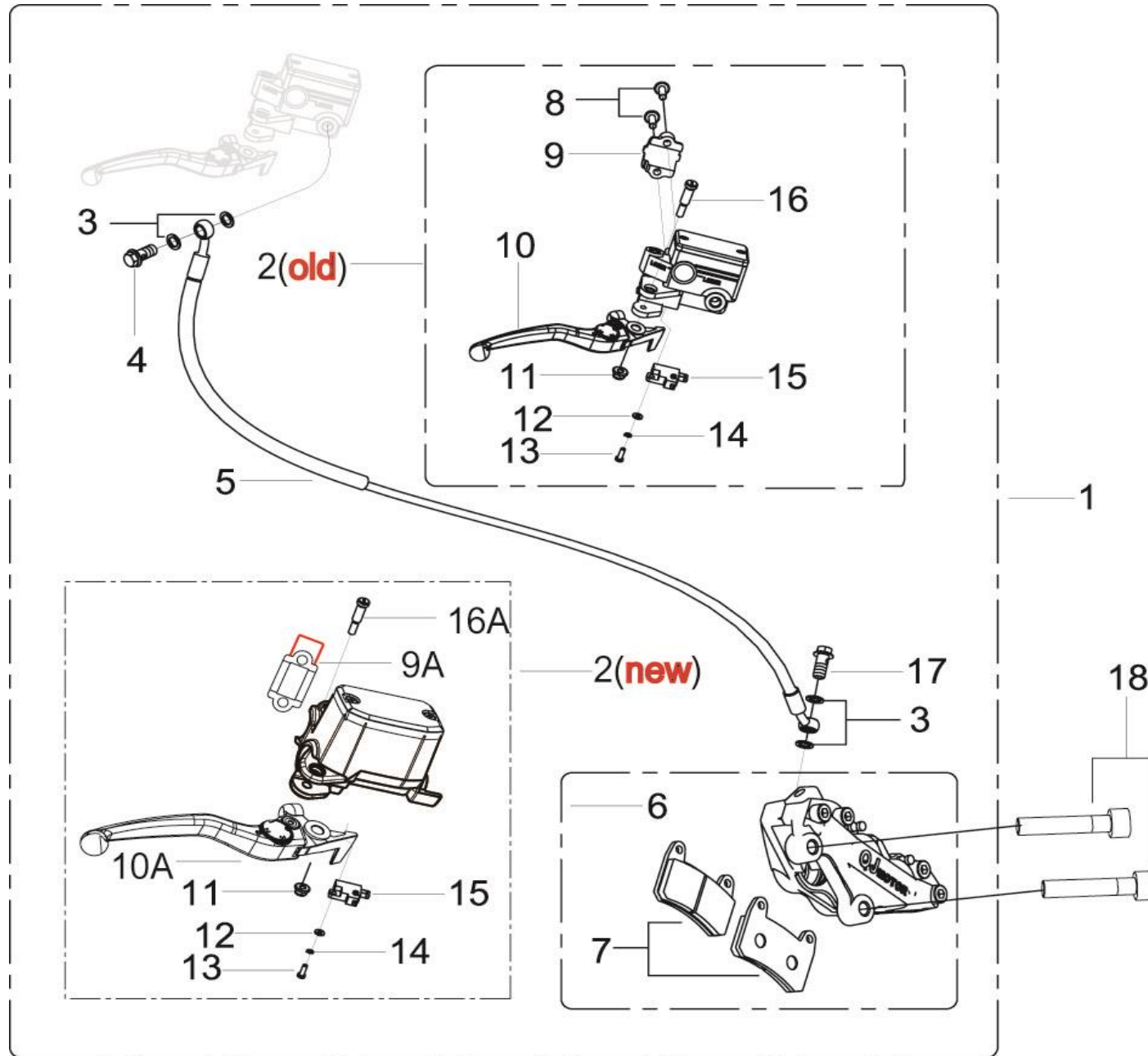
F04 前轮 FRONT WHEEL ASSY.



Model	NO.	Position No.	CODE	EN DESCRIPTION	Qty/Unit	REMARK
TNT25	1	F04	44004P100000	FRONT WHEEL AXLE	1	
TNT25	2	F04	44016P100000	FRONT WHEEL RIGHT COLLAR	1	
TNT25	3	F04	60200J000001	DUST SEAL ASSY	2	
TNT25	4	F04	B12016020400	BALL BEARING 6204-2RS	2	
TNT25	5	F04	44006P100100	FRONT WHEEL MIDDLE SHAFT SLEEVE	1	
TNT25	6	F04	B02810802062	BOLT M8x1.25x20	9	
TNT25	7	F04	44027N220000	DECORATIVE COVER	1	
TNT25	8	F04	44101P10HT00	FRONT WHEEL ASSY.GREY HT	1	
TNT25	9	F04	B1403Z201100	AIR VALVE/RIM VALVE	1	
TNT25	10	F04	45030N220002	FRONT BRAKE DISC	1	
TNT25	11	F04	B140106D1702	TUBELESS TYRE 110/70-R7,mark:E3 75R-0056965,brand:METZELER	1	
TNT25	12	F04	44005P100000	FRONT WHEEL LEFT COLLAR	1	

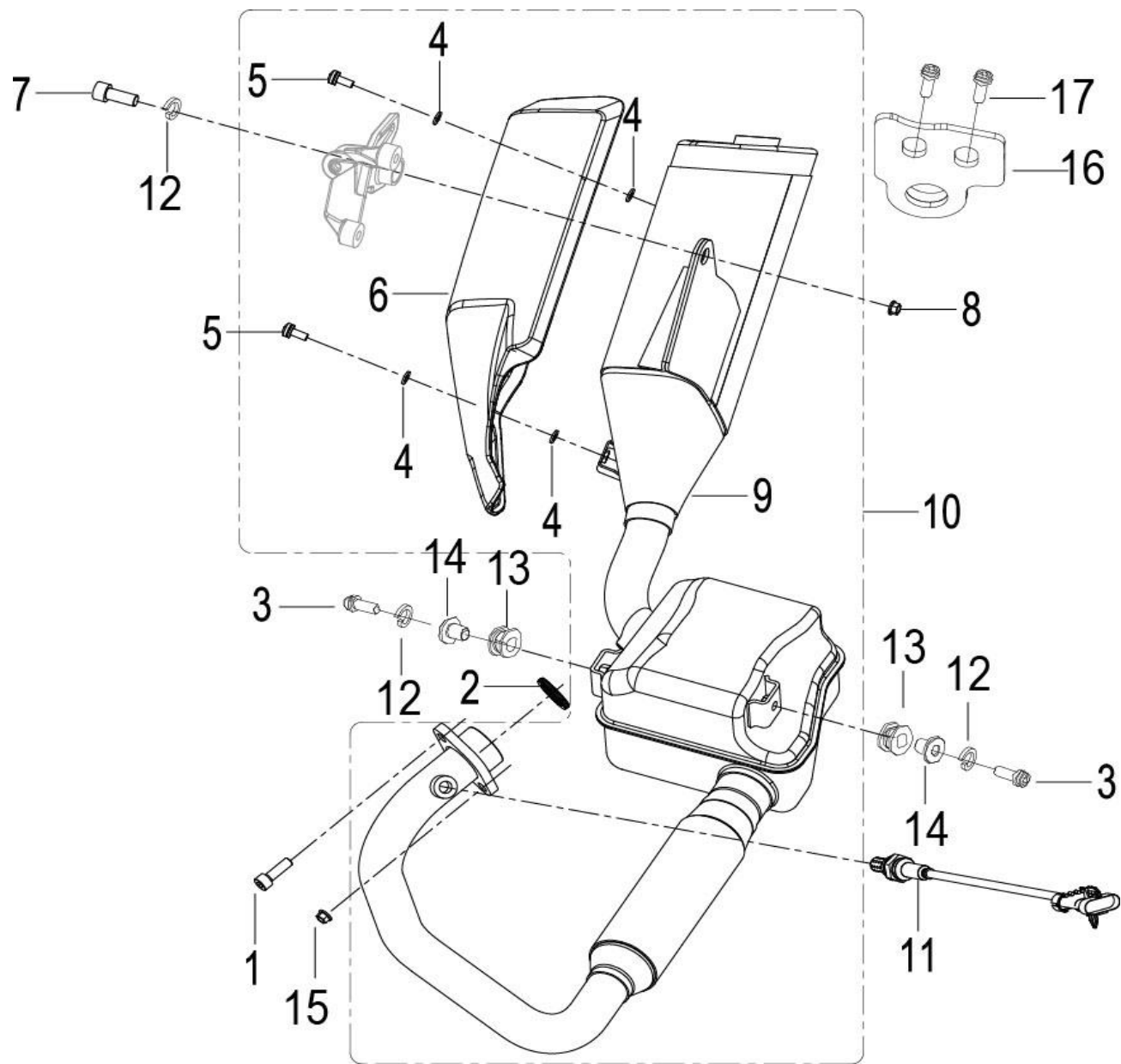


F05 前液刹 FRONT DISK BRAKE ASSY.



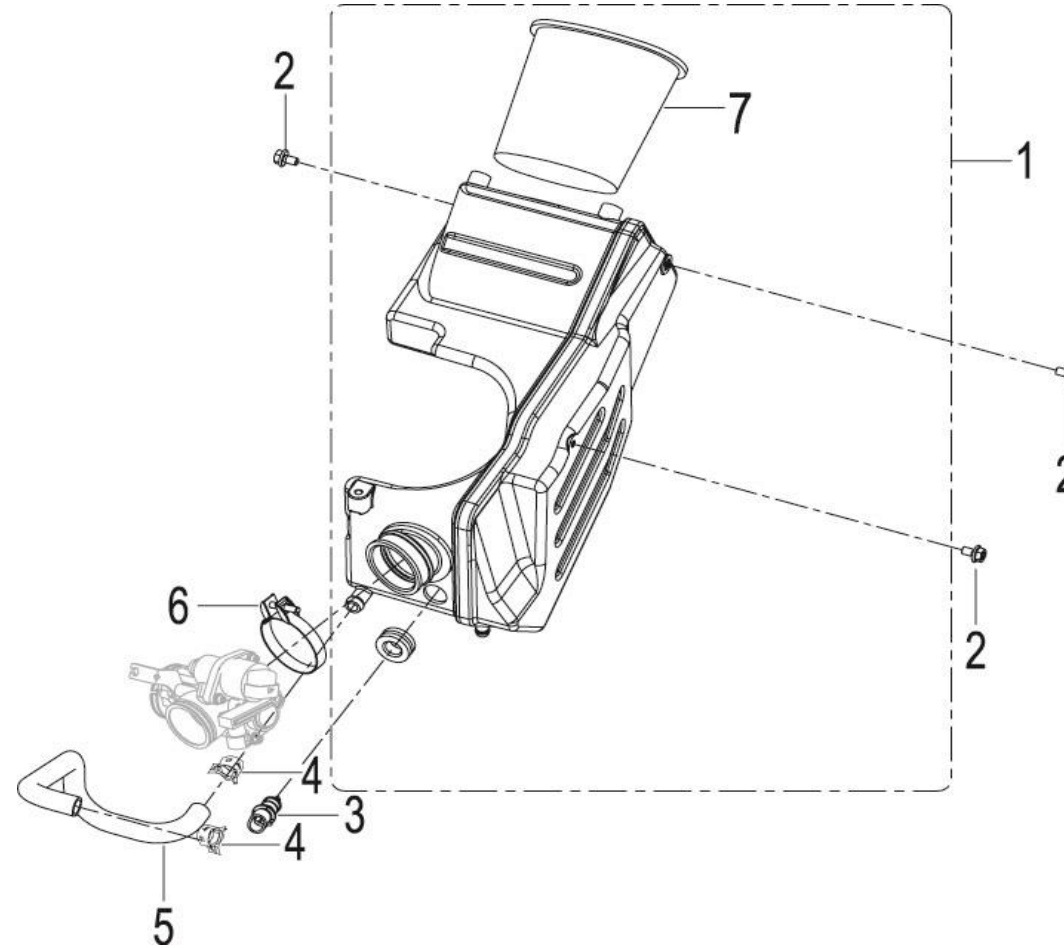
Model	NO.	Position No.	CODE	EN DESCRIPTION	Qty/Unit	REMARK
TNT25	1	F05	45900N220011	FRONT DISC BRAKE ASSY	1	
TNT25	2	F05	45400N220011	FRONT MASTER CYLINDER ASSY	1	
TNT25	3	F05	45180J000000	WASHER	4	
TNT25	4	F05	45037J000000	HEX FLANGE BOLT	1	
TNT25	5	F05	45200N220001	FRONT BRAKE HOSE ASSY	1	
TNT25	6	F05	45500J800302	CALIPER ASSY.LEFT.silver white,mark:Benelli	1	
TNT25	7	F05	45120P100000	BRAKE PAD(TWO PIECES)	2	
TNT25	8	F05	B02810602562	BOLT M6x25	2	
TNT25	9A	F05	45023P250010	FRONT BRAKE MASTER CYLINDER HOLDER	1	
TNT25	10A	F05	45020P300000	FRONT BRAKE LEVER	1	
TNT25	11	F05	B04170600055	SELF-LOCKING NUT M6	1	
TNT25	12	F05	B02040401225	SCREW M4x12	1	
TNT25	13	F05	B07030000405	WASHER 4	1	
TNT25	14	F05	B07060000405	SINGLE COIL SPRING LOCK WASHERS, LIGHT TYPE 4	1	
TNT25	15	F05	45300J000010	BRAKE SWITCH	1	
TNT25	16A	F05	45024P300000	BRAKE LEVER PIVOT BOLT	1	
TNT25	17	F05	45037P300000	BRAKE HOSE BANJO BOLT	1	
TNT25	18	F05	B02551004062	HEXAGON SCREWS M10x1.25x40	2	

F06 消声器 MUFFLER ASSY.



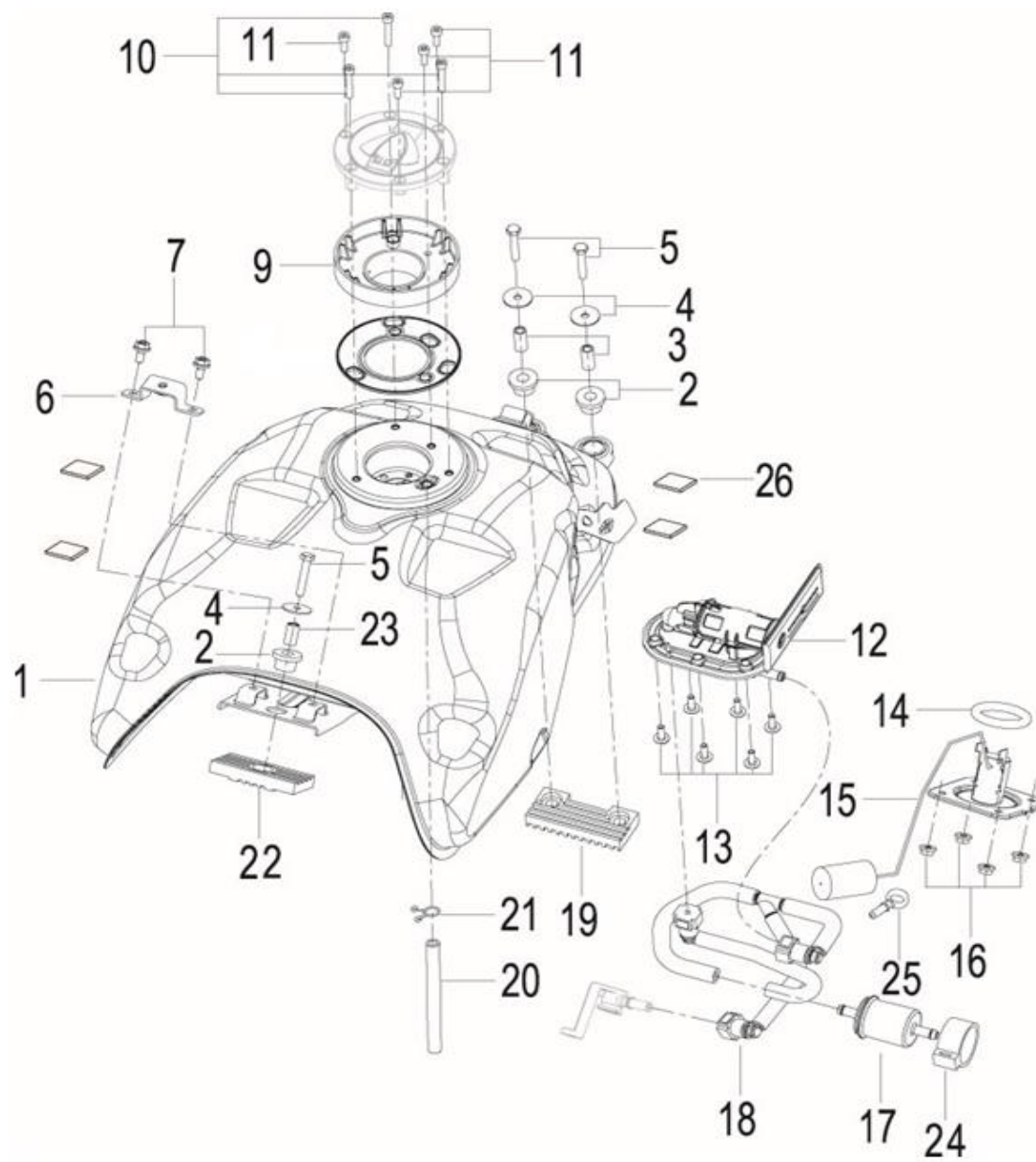
Model	NO.	Position No.	CODE	EN DESCRIPTION	Qty/Unit	REMARK
TNT25	1	F06	B02810802562	BOLT M8x1.25x25	1	
TNT25	2	F06	47800J060000	EXHAUST PIPE GASKET ASSY	1	
TNT25	3	F06	B01090802565	BOLT M8x25	2	
TNT25	4	F06	08022N050000	HEAT INSULATION WASHER	4	
TNT25	5	F06	B13060601605	SCREW M6x16	2	
TNT25	6	F06	47023N22HT00	MUFFLER DECORATED COVER,GREY HT	1	
TNT25	8	F06	B0400080005H	NUT M8	1	
TNT25	9	F06	47100N22000B	MUFFLER ASSY.	1	
TNT25	10	F06	47100N2200BZ	MUFFLER ASSY.COMP.	1	
TNT25	11	F06	280586030020	OXYGEN SENSOR	1	
TNT25	12	F06	B07000000802	SPRING WASHER 8	1	
TNT25	13	F06	65617H010010	RUBBER SLEEVE II	2	
TNT25	14	F06	65613P260000	COVER BUSH	2	
TNT25	15	F06	B0400080005H	NUT M8	1	
TNT25	16	F06	47601N220000	MUFFLER MOUNTING PLATE	1	
TNT25	17	F06	B0109080206H	BOLT M8x20	2	

F07 空滤器 AIR CLEANER ASSY.



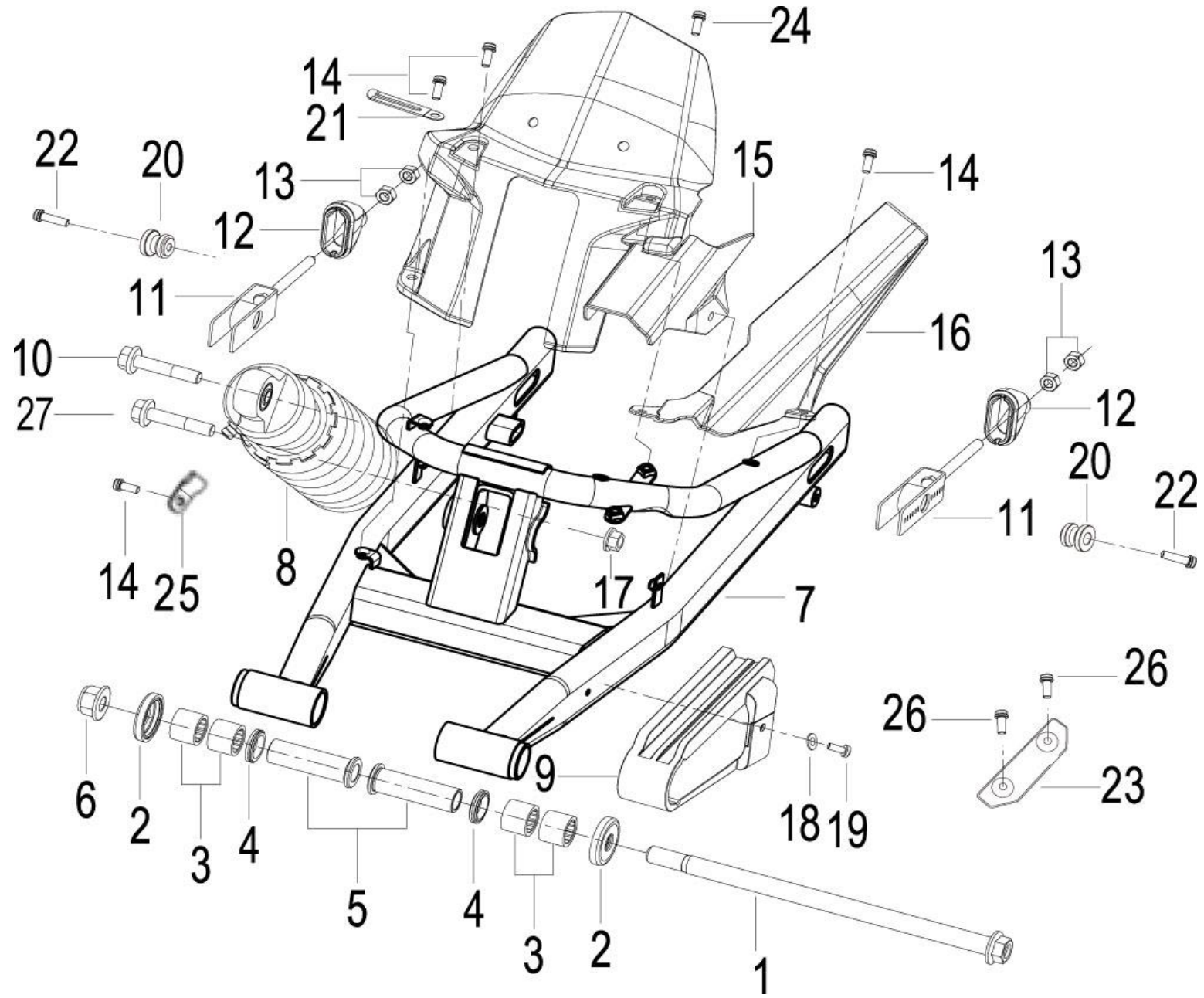
Model	NO.	Position No.	CODE	EN DESCRIPTION	Qty/Unit	REMARK
TNT25	1	F07	49100N220005	AIR FILTER ASSY	1	
TNT25	2	F07	B0109060126H	BOLT M6×12	3	
TNT25	3	F07	310015040000	INTAKE AIRTEMPERATURE SENSOR	1	
TNT25	4	F07	49016N250000	CLIP Φ15.5×10×1	2	
TNT25	5	F07	49311N220001	AIR PRESSURE BALANCE PIPE	1	
TNT25	6	F07	49350J060002	CLAMP ASSY.	1	
TNT25	7	F07	49202N220002	FILTER ELEMENT ASSY	1	

F08 油箱 FUEL TANK ASSY.



Model	NO.	Position No.	CODE	EN DESCRIPTION	Qty/Unit	REMARK
TNT25	1	F08	50100K990002	FUEL TANK ASSY.	1	
TNT25	1	F08	50100K990006	NEW FUEL TANK ASSY.	1	
TNT25	2	F08	50222J000001	RUBBER SLEEVE	3	
TNT25	3	F08	50221J000001	FUEL TANK MOUNTING COLLAR	2	
TNT25	4	F08	08023J000020	FUEL TANK MOUNTING WASHER	3	
TNT25	5	F08	B01090603565	BOLT M6x35	3	
TNT25	6	F08	50510K990000	FUEL TANK FRONT COVER MOUNTING SEAT	1	
TNT25	7	F08	B01090601065	BOLT M6x10	2	
TNT25	9	F08	50210J800000	SUPPORTING COMPONENTS FUEL TANK CAP	1	
TNT25	10	F08	B0280050300A	HEXAGON SCREWS M5x30	3	
TNT25	11	F08	B0280050140A	HEXAGON SCREWS M5x14	4	
TNT25	12	F08	50400P100020	FUEL PUMP ASSY.	1	
TNT25	13	F08	B0109050166H	BOLT M5x16	6	
TNT25	14	F08	50002K020000	FUEL LEVEL SENSOR RUBBER WASHER	1	
TNT25	15	F08	50800N350000	FUEL SENSOR	1	
TNT25	16	F08	B0407060005H	NUT M6	4	
TNT25	17	F08	50340N100001	FUEL FILTER	1	
TNT25	18	F08	50370N220000	FUEL PIPE ASSY.	1	
TNT25	19	F08	50006J000001	FUEL TANK MOUNTING PLATE	1	
TNT25	20	F08	50012T750000	OVER FLOW PIPE	1	
TNT25	21	F08	B17010105003	WIRE CLAMP Φ10	1	
TNT25	22	F08	50005N210000	FUEL TANK RUBBER CUSHION	1	
TNT25	23	F08	50221K990000	COLLAR	1	
TNT25	24	F08	50391N070010	FUEL FILTER JACKET	1	
TNT25	25	F08	52008P100000	FULE PUMP PLUG	1	
TNT25	26	F08	58752J00000A	BATTERY SPONGE CUSHION	6	

F09 后摆臂 REAR SWINGING ARM ASSY.



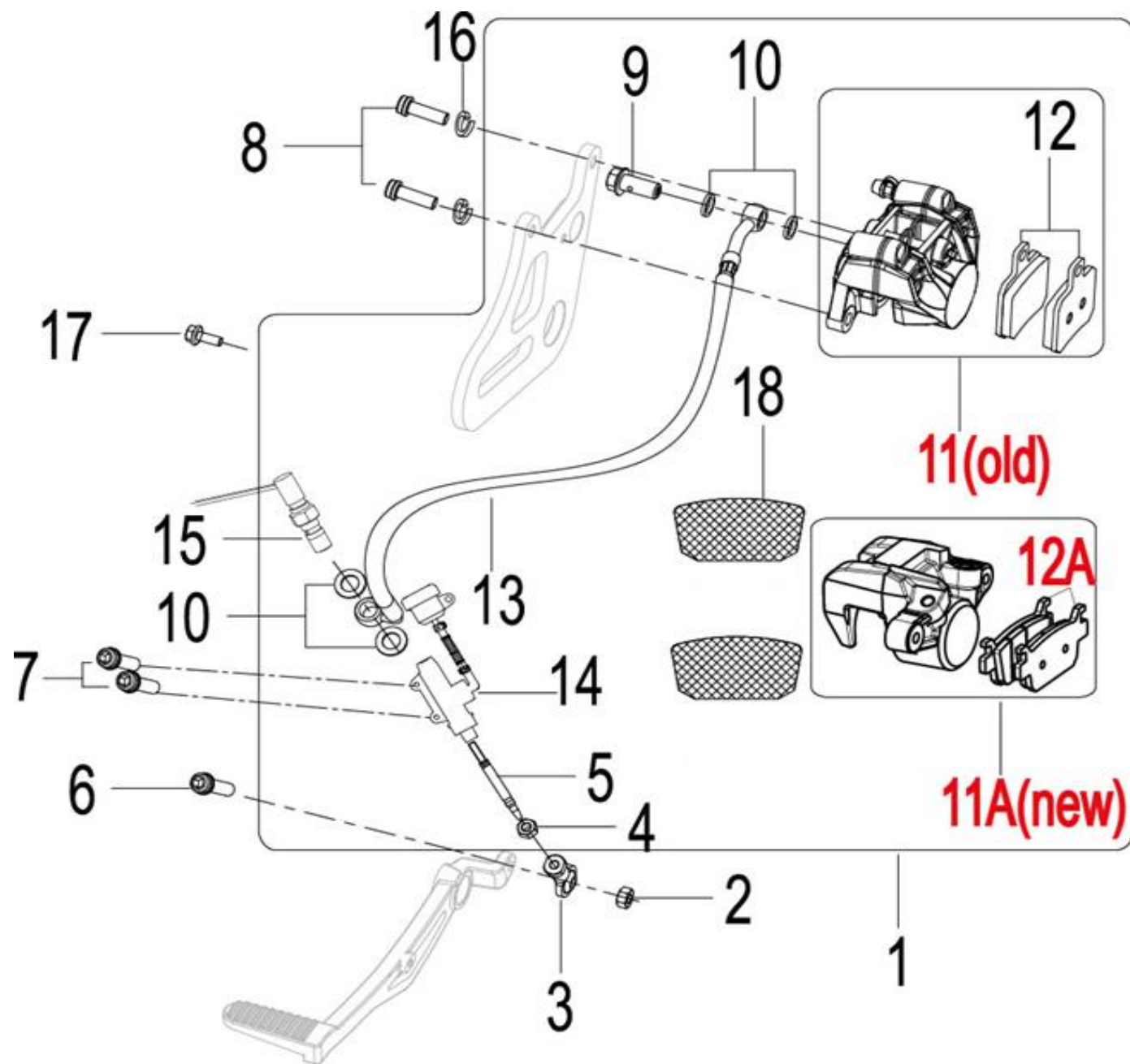


Model	NO.	Position No.	CODE	EN DESCRIPTION	Qty/Unit	REMARK
TNT25	1	F09	53001K990100	REAR SWING ARM PIVOT SHAFT M14x1.5x280	1	
TNT25	2	F09	53220J690000	DUST SEAL ASSY	2	
TNT25	3	F09	B1212K202000	NEEDLE BEARING HK2020	4	
TNT25	4	F09	53210J060000	BEARING OIL SEAL	2	
TNT25	5	F09	53005N220000	REAR SWING ARM SLEEVE	2	
TNT25	6	F09	B04171415055	SELF-LOCKING NUT M14x1.5	1	
TNT25	7	F09	53100N220000	REAR SWING ARM ASSY	1	
TNT25	8	F09	63800N220110	REAR ABSORBER,SPRING IN BLACK	1	
TNT25	8	F09	63800N220010	REAR ABSORBER,SPRING IN RED	1	
TNT25	9	F09	53004K990000	CHAIN SHIELD BLOCK	1	
TNT25	10	F09	08011P100000	REAR SHOCK ABSORBER ASSY BOLT M10x1.25x45	1	
TNT25	11	F09	53230K980100	CHAIN TENSION ADJUSTER ASSEMBLY	2	
TNT25	12	F09	53234K980000	CHAIN TENSION ADJUSTER RETAINER	2	
TNT25	13	F09	B0400080005H	NUT M8	4	
TNT25	14	F09	08018B910010	BOLT M6x14	4	
TNT25	15	F09	65761N220000	REAR FENDER UNDERPART	1	
TNT25	16	F09	60101N220001	DRIVE CHAIN COVER	1	
TNT25	17	F09	B04821012552	SELF-LOCKING NUT M10x1.25	1	
TNT25	18	F09	B07020000505	WASHER 5	1	
TNT25	19	F09	B02000501625	SCREW M5X16	1	
TNT25	20	F09	53021P250000	BUSH	2	
TNT25	21	F09	58430J670000	CLIP	1	
TNT25	22	F09	B02810603062	BOLT M6x30	2	
TNT25	23	F09	53018P100000	UPPER CHAIN LIMITED BLOCK	1	
TNT25	24	F09	58603J670000	BOLT M6x16	1	
TNT25	25	F09	43070J670010	CLUTCH CABLE CLAMP	1	
TNT25	26	F09	B0109060126H	BOLT M6x12	2	
TNT25	27	F09	08012P100000	REAR SHOCK ABSORBER ASSY LOWER BOLT M10x50	1	



Model	NO.	Position No.	CODE	EN DESCRIPTION	Qty/Unit	Remark
TNT25	3	F10	54016N220100	REAR WHEEL LEFT COLLAR	1	
TNT25	4	F10	96003P250000	RUBBER CLIP	2	
TNT25	5	F10	60200J000001	DUST SEAL ASSY	1	
TNT25	6	F10	B12016020400	BALL BEARING 6204-2RS	1	
TNT25	7	F10	60006J000001	REAR WHEEL AXLE SLEEVE	1	
TNT25	8	F10	B04821012552	SELF-LOCKING NUT M10x1.25	6	
TNT25	9	F10	94010P100001	SPEED SENSOR	1	
TNT25	10	F10	60002N220002	REAR WHEEL SPROCKET 41TEETH	1	
TNT25	11	F10	B1502X1106B0	CHAIN 520HO-1x106	1	
TNT25	12	F10	60001N210000	REAR WHEEL DRIVE HUB	1	
TNT25	13	F10	60015M190000	REAR WHEEL SPROCKET MOUNTING BOLT M10x1.25x42	6	
TNT25	14	F10	54024N210000	REAR WHEEL DRIVE HUB DAMPER	6	
TNT25	15	F10	B12016020200	BALL BEARING 6202-2RS	1	
TNT25	16	F10	B140110C1700	TUBELESS TYRE 150/60-R7,mark:E3 75R-0056678 brand:METZELER	1	
TNT25	17	F10	B1403Z201100	AIR VALVE/RIM VALVE	1	
TNT25	18	F10	54101N22HT01	REAR RIM ASSY,GREY HT	1	
TNT25	19	F10	54006J800000	REAR WHEEL SPACER	1	
TNT25	20	F10	B12016030200	BALL BEARING 6302-2RS	1	
TNT25	21	F10	44300J040000	FRONT WHEEL RIGHT OIL SEAL ASSY	1	
TNT25	22	F10	55033P100101	DISK BRAKE	1	
TNT25	23	F10	45036D010000	REAR BRAKE DISC MOUNTING BOLT M6x16	6	
TNT25	26A	F10	55410N220002	REAR BRAKE CALIPER MOUNTING BRACKET ASSY	1	
TNT25	28	F10	B04171415055	SELF-LOCKING NUT M14x1.5	1	
TNT25	29	F10	B02810601262	HEXAGON SCREWS M6x12	1	
TNT25	30	F10	43070J670010	CLUTCH CABLE CLAMP	1	
TNT25	31	F10	B07000001004	SINGLE COIL SPRING LOCK WASHERS Φ10	6	
TNT25	32	F10	B07030001004	WASHER Φ10	6	
TNT25	33	F10	55095N220001	BUSH II	1	
TNT25	34	F10	B07000000604	SINGLE COIL SPRING LOCK WASHERS Φ6	6	

F11 后液刹 REAR DISK BRAKE ASSY.



Model	NO.	Position No.	CODE	EN DESCRIPTION	Qty/Unit	Remark
TNT25	1	F11	55900N220003	REAR BRAKE ASSY	1	
TNT25	2	F11	B0417060004H	SELF-LOCKINGNUT M6	1	
TNT25	3	F11	40283S010000	BRAKE PEDAL JOINT M6	1	
TNT25	4	F11	B04020600018	NUT M6	1	
TNT25	5	F11	55061P250006	BRAKE PUSH ROD,length:83mm	1	
TNT25	6	F11	B02810602562	SCREW M6X25	1	
TNT25	7	F11	B02810602062	BOLT M6x20	1	
TNT25	8	F11	B02810802062	BOLT M8x1.25x20	2	
TNT25	9	F11	55037P300000	BRAKE HOSE BANJO BOLT	1	
TNT25	10	F11	45078P300000	COPPER WASHER	4	
TNT25	11A	F11	55500P160000	REAR BRAKE CALIPER	1	
TNT25	12A	F11	55110P100001	BRAKE PAD ASSY,REAR (2PCS/SET)	1	
TNT25	13	F11	55200N220001	REAR BRAKE HOSE	1	
TNT25	14	F11	55400P10001Z	BRAKE FLUID RESERVOIR	1	
TNT25	15	F11	91700S010000	BRAKING SWITCH COMPONENTS	1	
TNT25	16	F11	B07000000802	SPRING WASHER 8	2	
TNT25	17	F11	B01090602065	SCREW M6x20	1	
TNT25	18	F11	55125P100000	FILLER PIECE	2	

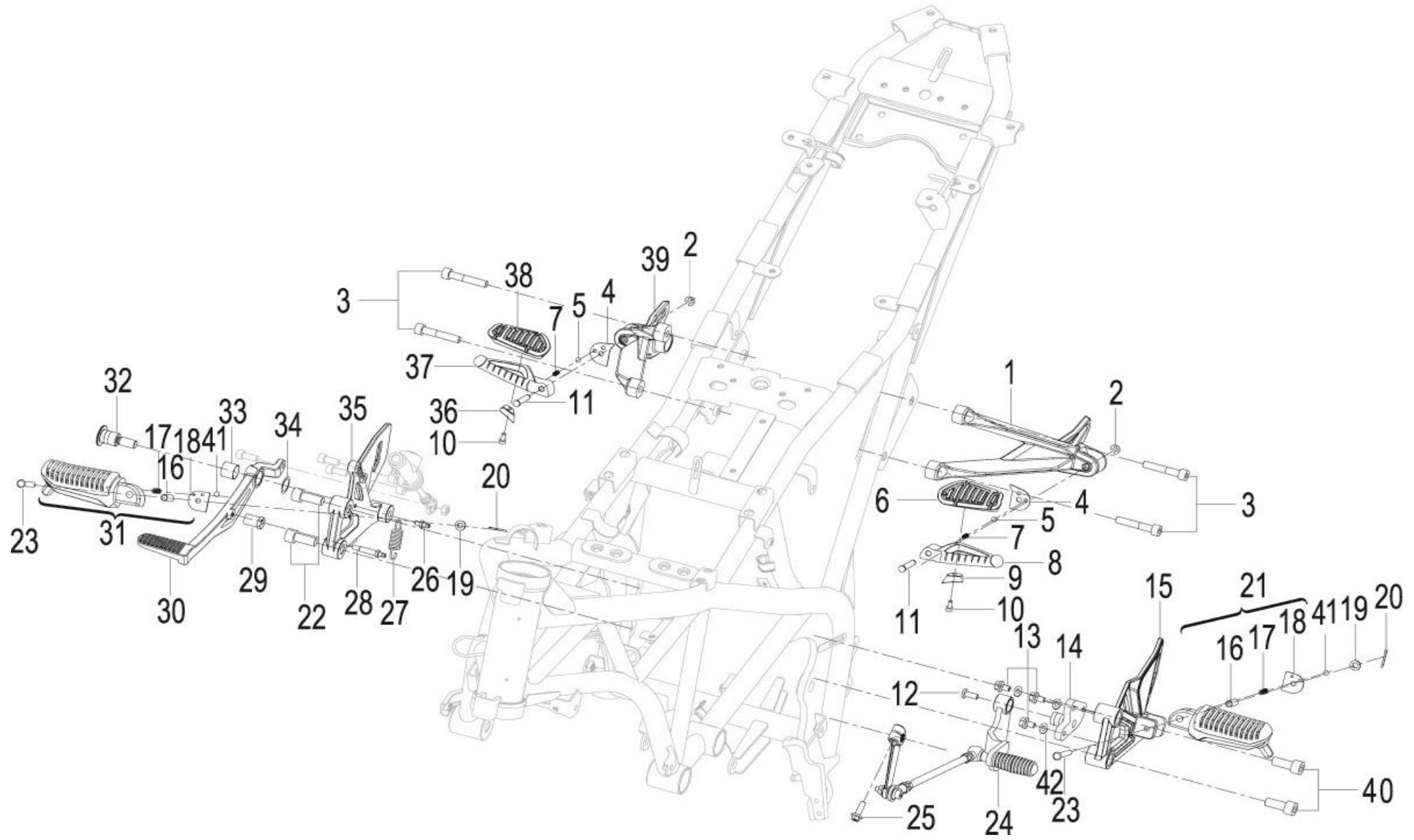


Model	NO.	Position No.	CODE	EN DESCRIPTION	Qty/Unit	Remark
TNT25	1	F12	57100N22TY00	FRAME ASSY.RED	1	
TNT25	1	F12	57100N220101	FRAME ASSY.BLACK	1	
TNT25	2	F12	B0109080356H	BOLT M8x35	4	
TNT25	3	F12	58650N220000	LEFT UPPER ENGINE MOUNTING BRACKET ASSY	1	
TNT25	4	F12	65770K990000	REAR FENDER BRACKET ASSY.	1	
TNT25	5	F12	B0418101255H	NUT M10x1.25	3	
TNT25	6	F12	B04011012555	NUT M10x1.25	1	
TNT25	7	F12	B0205100406H	HEXAGON SCREWS M10x40	4	
TNT25	8	F12	57020N220000	LF ENGINE MOUNTING BRACKET ASSY	1	
TNT25	9	F12	58700N220001	SIDE STAND ASSY	1	
TNT25	10	F12	57003J000070	SIDESTAND TENSION SPRING	1	
TNT25	11	F12	B0205060166H	SCREW M6X16	2	
TNT25	12	F12	58720U140000	SIDESTAND SWITCH MOUNTING BRACKET ASSY	1	
TNT25	13	F12	B02050601264	SCREW M6X12	2	
TNT25	14	F12	57005J000102	SIDESTAND BOLT	1	
TNT25	16	F12	B100432007P0	RIVET 3.2x7	2	
TNT25	17	F12	57030N220000	LR ENGINE MOUNTING BRACKET ASSY	1	
TNT25	18	F12	B01591017865	BOLT M10x1.25x178	1	
TNT25	19	F12	B0159101306H	BOLT M10x1.25x130	1	
TNT25	20	F12	B0159100506H	BOLT M10x1.25x50	1	
TNT25	21	F12	58660N220000	RIGHT UPPER ENGINE MOUNTING BRACKET ASSY	1	
TNT25	22	F12	B01090601665	BOLT M6x16	2	
TNT25	23	F12	96020N220001	BATTERY BAND	1	
TNT25	24	F12	B0109060126H	BOLT M6x12	3	
TNT25	25	F12	58750N220000	BATTERY BRACKET	1	
TNT25	26	F12	50007K670000	FUEL TANK MOUNTING RUBBER PLATE	4	
TNT25	27	F12	B13060601605	SCREW /WASHER M6x16	4	
TNT25	28	F12	02131K990000	TOOL BOX	1	
TNT25	29	F12	B0109060256H	BOLT M6x25	4	

Model	NO.	Position No.	CODE	EN DESCRIPTION	Qty/Unit	Remark
TNT25	30	F12	B02010602525	SCREW M6x25	2	
TNT25	31	F12	58900K990000	SEAT LOCK CABLE ASSY	1	
TNT25	32	F12	57142N22C900	ENGINE FRONT MOUNTING BRACKET COVER,SILVER C9	2	
TNT25	33	F12	58752J00000A	BATTERY SPONGE CUSHION	14	
TNT25	34	F12	59440N220000	HORN PLATE	1	
TNT25	35	F12	B07030001002	WASHER 10	4	
TNT25	36	F12	58430J000000	CLIP ASSY	3	



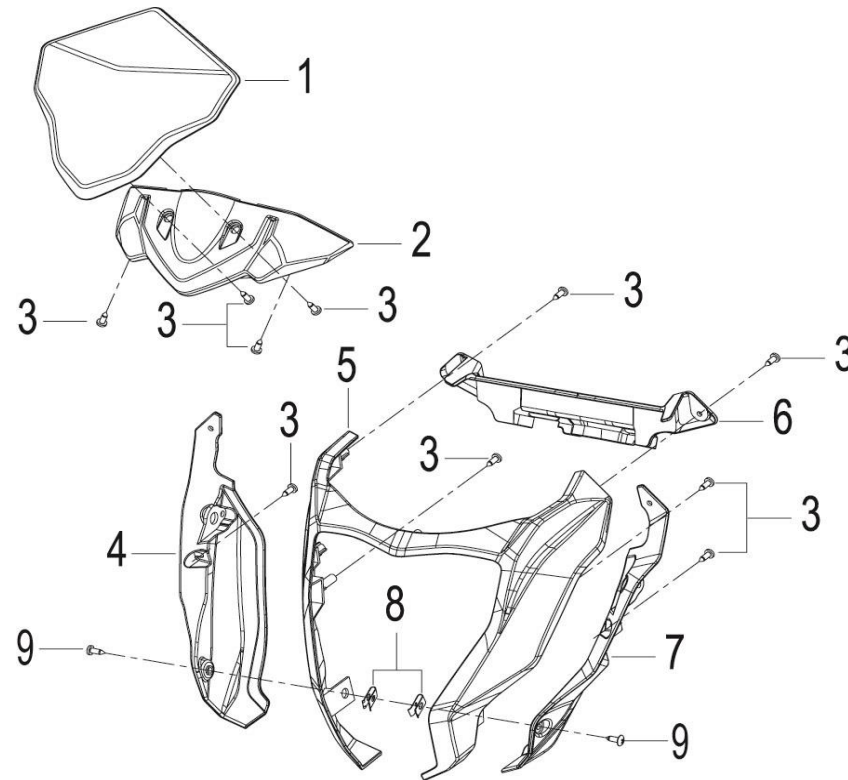
F13 踏蹬总成 PEDALING ASSY.



Model	NO.	Position No.	CODE	EN DESCRIPTION	Qty/Unit	Remark
TNT25	1	F13	58266P250000	LEFT REAR FOOTREST BRACKET	1	
TNT25	2	F13	B0882000050A	CLIP $\Phi$ 5	2	
TNT25	3	F13	B0205080406H	HEXAGON SCREWS M8x40	4	
TNT25	4	F13	58451S010000	FOOTREST BRACKET PLATE	2	
TNT25	5	F13	B06000002000	REAR FOOTREST BALL	2	
TNT25	6	F13	08352S020000	LEFT FOOTREST RUBBER	1	
TNT25	7	F13	58222B930000	REAR FOOTREST SPRING	2	
TNT25	8	F13	58266S010000	LEFT REAR FOOTREST	1	
TNT25	9	F13	58205S020000	LEFT FOOTREST RUBBER PAD	1	
TNT25	10	F13	B0280040100A	SCREW M4x10	2	
TNT25	11	F13	58217S010001	FOOTREST MOUNTING PIN	2	
TNT25	12	F13	B13060601005	SCREW M6x10	1	
TNT25	13	F13	B01090601665	BOLT M6x16	3	
TNT25	14	F13	08390N220002	SHIFT PEDAL MOUNTING BRACKET ASSY	1	
TNT25	15	F13	58226N220000	LEFT FRONT FOOTREST BRACKET	1	
TNT25	16	F13	58224J040001	FOOTPEG BUSH	2	
TNT25	17	F13	58222J040001	PEDAL SPRING	2	
TNT25	18	F13	58229J300000	FIXING BORAD	2	
TNT25	19	F13	B0703000060A	WASHER $\Phi$ 6	2	
TNT25	20	F13	B090002018A5	COTTER PIN 2x18	2	
TNT25	21	F13	58220V020000	LEFT FRONT FOOTREST ASSY.	1	
TNT25	22	F13	B02051003062	HEXAGON SCREWS M10x30	2	
TNT25	23	F13	58213H010002	FOOTREST MOUNTING PIN	2	
TNT25	24	F13	08370N220001	SHIFT PEDAL ASSY	1	
TNT25	25	F13	B01030602265	BOLT M6x22	1	
TNT25	26	F13	40273P250000	UPPER SPRING DOWEL	1	
TNT25	27	F13	40702N220010	THE REAR BRAKE RETURN SPRING	1	
TNT25	28	F13	40717P250000	LOWER SPRING DOWEL	1	
TNT25	29	F13	40705P250000	ECCENTRIC PUSH ROD	1	

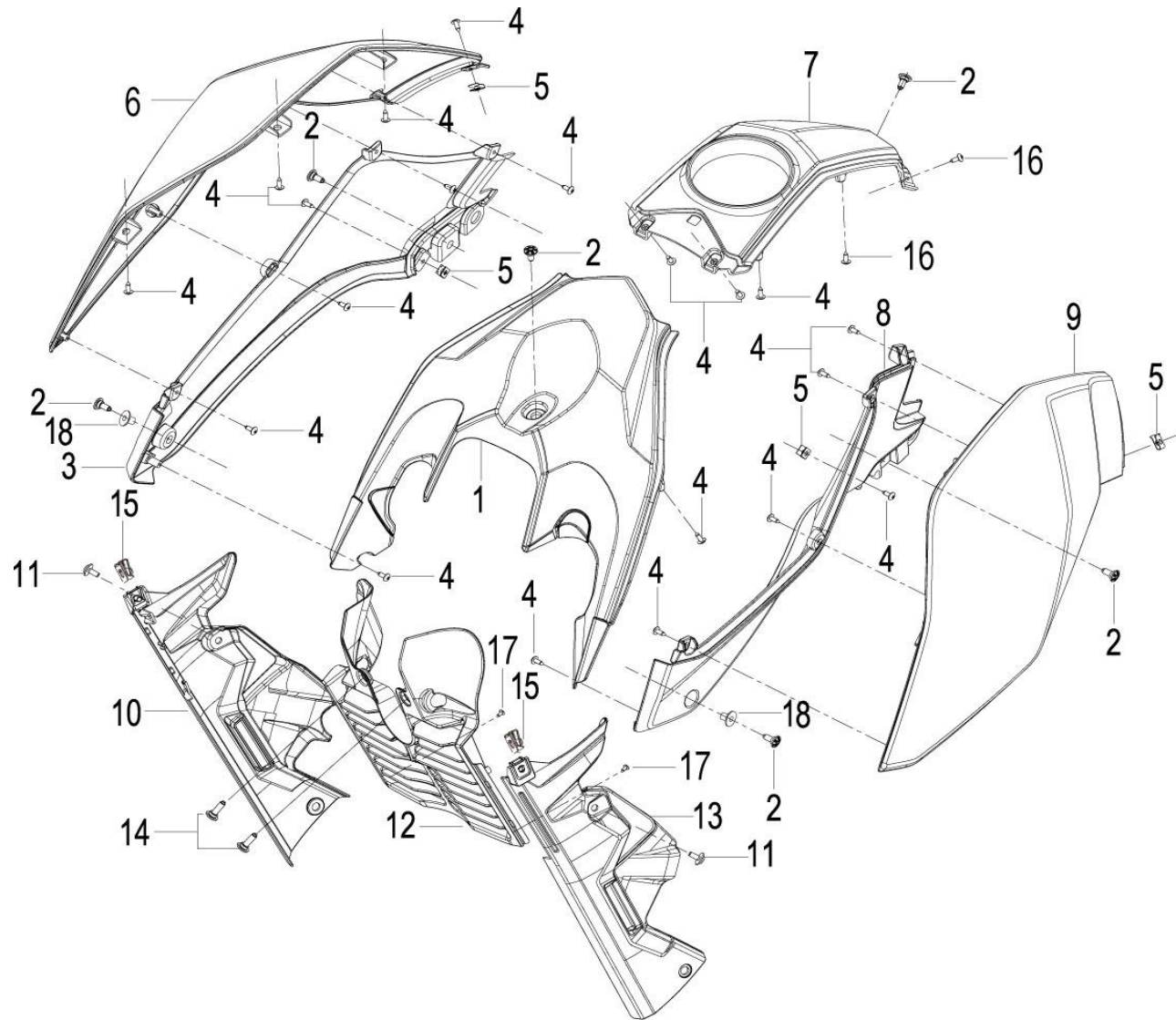
Model	NO.	Position No.	CODE	EN DESCRIPTION	Qty/Unit	Remark
TNT25	30	F13	40712P250001	BRAKE PEDAL ASSY	1	
TNT25	31	F13	58240V020000	FR.PEDAL ASSY R	1	
TNT25	32	F13	40706P250001	SCREW	1	
TNT25	33	F13	58511S010000	SELF-LUBRICATING BUSHINGS	1	
TNT25	34	F13	58216S010000	WASHER	1	
TNT25	35	F13	58246N220000	RIGHT FRONT FOOTRETS BRACKET	1	
TNT25	36	F13	58405S020000	RIGHT FOOTREST RUBBER PAD	1	
TNT25	37	F13	58286S010000	RIGHT REAR PEDAL	1	
TNT25	38	F13	08372S020000	RIGHT PEDAL RUBBER	1	
TNT25	39	F13	58286P250000	RIGHT REAR PEDAL BRACKET	1	
TNT25	40	F13	B0205100406H	HEXAGON SCREWS M10×40	2	
TNT25	41	F13	B06010190000	BALL 6	2	
TNT25	42	F13	B0702000060H	WASHER Φ6	3	

F14导流罩总成 FRONT COVER ASSY.



Model	NO.	Position No.	CODE	EN DESCRIPTION	Qty/Unit	Remark
TNT25	1	F14	65203P100000	METER VISOR	1	
TNT25	2	F14	70004P100000	METER UNDER CASE	1	
TNT25	3	F14	B0507420130H	TAPPING SCREW ST4.2x13	10	
TNT25	4	F14	65551P100000	RIGHT COWLING COVER	1	
TNT25	5	F14	65501P10WF00	COWLING,WHITE WF	1	
TNT25	5	F14	65501P10GT00	COWLING,GREEN GT	1	
TNT25	5	F14	65501P10BC00	COWLING,GRAPHITE BC	1	
TNT25	5	F14	65501P10F900	COWLING,RED F9	1	
TNT25	6	F14	65541M140000	COWLING COVER	1	
TNT25	7	F14	65541P100000	LEFT COWLING COVER	1	
TNT25	8	F14	65801T850100	INSERT ST4.2	2	
TNT25	9	F14	B05074201605	TAPPING SCREW ST4.2x16	2	

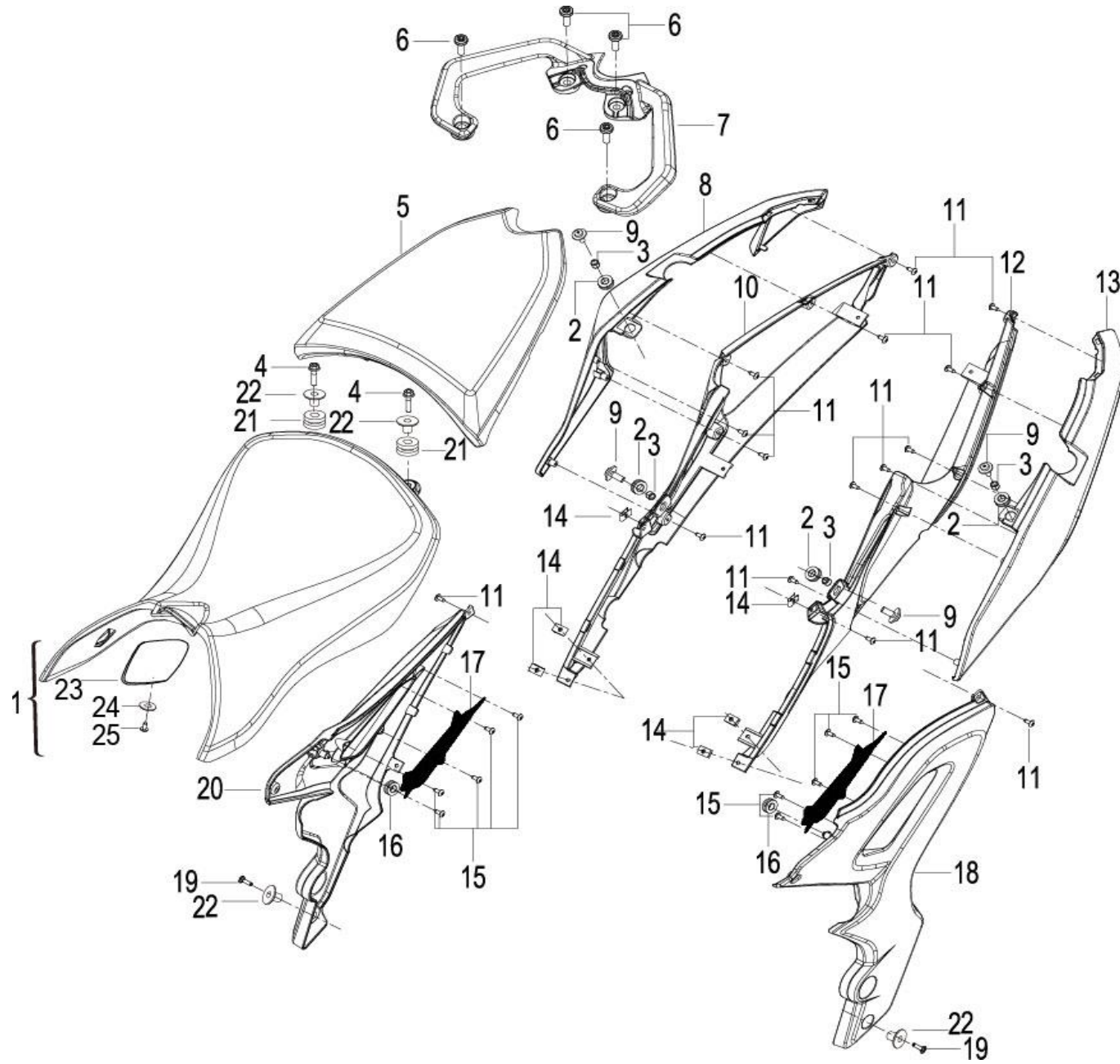
F15 油箱护板 FUEL TANK SODE COVER ASSY.



Model	NO.	Position No.	CODE	EN DESCRIPTION	Qty/Unit	Remark
TNT25	1	F15	65672K990000	FUEL TANK FRONT COVER	1	
TNT25	2	F15	B0284060150A	SCREW M6×15.2	6	
TNT25	3	F15	65674K990000	DECORATING PLATE,FUEL TANK RIGHT	1	

Model	NO.	Position No.	CODE	EN DESCRIPTION	Qty/Unit	Remark
TNT25	4	F15	B0507420130H	TAPPING SCREW ST4.2x13	22	
TNT25	5	F15	65801T850100	INSERT ST4.2	4	
TNT25	6	F15	50016K99GT00	RIGHT FUEL TANK COVER, GREEN GT	1	
TNT25	6	F15	50016K99BC00	RIGHT FUEL TANK COVER, GRAPHITE BC	1	
TNT25	6	F15	50016K99F900	RIGHT FUEL TANK COVER, RED F9	1	
TNT25	6	F15	50016K99025Z	RIGHT FUEL TANK COVER, WHITE WF, WITH STICKER	1	
TNT25	6	F15	50016K99026Z	RIGHT FUEL TANK COVER, GREEN GT, WITH STICKER	1	
TNT25	6	F15	50016K99027Z	RIGHT FUEL TANK COVER, GRAPHITE BC, WITH STICKER	1	
TNT25	6	F15	50016K99028Z	RIGHT FUEL TANK COVER, RED F9, WITH STICKER	1	
TNT25	7	F15	65671K990000	GUARD BOARD, FUEL TANK, UP	1	
TNT25	8	F15	65673K990000	DECORATING PLATE, FUEL TANK LEFT	1	
TNT25	9	F15	50015K99GT00	LEFT FUEL TANK COVER, GREEN GT	1	
TNT25	9	F15	50015K99BC00	LEFT FUEL TANK COVER, GRAPHITE BC	1	
TNT25	9	F15	50015K99F900	LEFT FUEL TANK COVER, RED F9	1	
TNT25	9	F15	50015K99025Z	LEFT FUEL TANK COVER, WHITE WF, WITH STICKER	1	
TNT25	9	F15	50015K99026Z	LEFT FUEL TANK COVER, GREEN GT, WITH STICKER	1	
TNT25	9	F15	50015K99027Z	LEFT FUEL TANK COVER, GRAPHITE BC, WITH STICKER	1	
TNT25	9	F15	50015K99028Z	LEFT FUEL TANK COVER, RED F9, WITH STICKER	1	
TNT25	10	F15	65677N220000	COVER THE FRONT DECORATION, R.	1	
TNT25	11	F15	B0284060250A	STAINLESS SCREW M6x25	2	
TNT25	12	F15	65675K990000	COVER THE FRONT DECORATION	1	
TNT25	13	F15	65676N220000	COVER THE FRONT DECORATION, L	1	
TNT25	14	F15	B0284060250A	STAINLESS SCREW M6x25	2	
TNT25	15	F15	65625J560000	NUT	2	
TNT25	16	F15	B05074201015	TAPPING SCREW ST4.2x10	2	
TNT25	17	F15	B05074201005	TAPPING SCREW ST4.2x9.5	2	
TNT25	18	F15	14003S040000	BUSH	2	

F16 护板 SODE COVER ASSY.

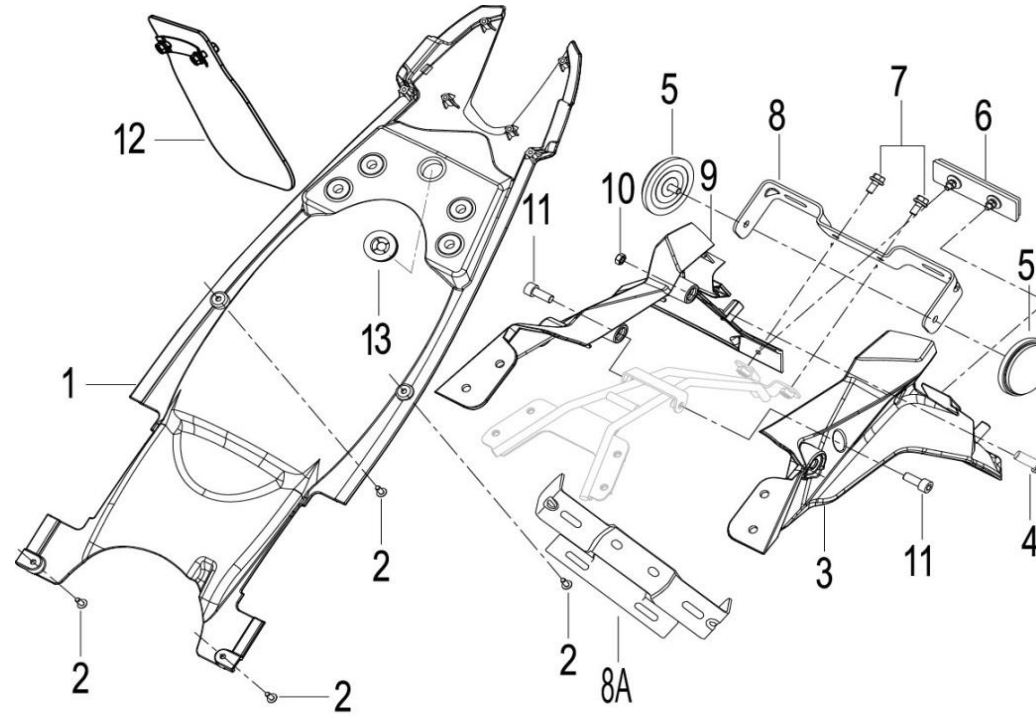


Model	NO.	Position No.	CODE	EN DESCRIPTION	Qty/Unit	Remark
TNT25	1	F16	51100K990010	SEAT ASSY,FRONT	1	
TNT25	2	F16	47028G220000	RUBBER WASHER	4	
TNT25	3	F16	08061K670000	BUSH	4	
TNT25	4	F16	08002H010100	SCREW M6x25	2	
TNT25	5	F16	51200K990001	REAR SEAT ASSY,mark:Benelli	1	
TNT25	6	F16	52018J800000	GRAB RAIL SCREW	4	
TNT25	7	F16	52002K99BG00	GRAB RAIL ,MATTE BLACK BG	1	
TNT25	8	F16	65901K99WF00	RIGHT UPPER REAR COVER ,WHITE WF	1	
TNT25	8	F16	65901K99GT00	RIGHT UPPER REAR COVER,GREEN GT	1	
TNT25	8	F16	65901K99BC00	RIGHT UPPER REAR COVER,GRAPHITE BC	1	
TNT25	8	F16	65901K99F900	RIGHT UPPER REAR COVER,RED F9	1	
TNT25	8	F16	65901K99025Z	RIGHT UPPER REAR COVER,WHITE WF,WITH STICKER	1	
TNT25	8	F16	65901K99026Z	RIGHT UPPER REAR COVER,GREEN GT,WITH STICKER	1	
TNT25	8	F16	65901K99027Z	RIGHT UPPER REAR COVER,GRAPHITE BC,WITH STICKER	1	
TNT25	8	F16	65901K99028Z	RIGHT UPPER REAR COVER,RED F9,WITH STICKER	1	
TNT25	9	F16	B13060601605	SCREW /WASHER M6x16	4	
TNT25	10	F16	65911K990000	RIGHT LOWER REAR COVER	1	
TNT25	11	F16	B0507420130H	TAPPING SCREW ST4.2x13	22	
TNT25	12	F16	65911K99BG10 + 65912K99BG10	LEFT LOWER REAR COVER MATT BLACK BG + LEFT LOWER REAR COVER MATT BLACK BG	1	If need to change, have to change both together (actually is no.10)
TNT25	13	F16	65902K99WF00	LEFT UPPER REAR COVER,WHITE WF	1	
TNT25	13	F16	65902K99BC00	LEFT UPPER REAR COVER,GRAPHITE BC	1	
TNT25	13	F16	65902K99F900	LEFT UPPER REAR COVER,RED F9	1	
TNT25	13	F16	65902K99025Z	LEFT UPPER REAR COVER,WHITE WF,WITH STICKER	1	
TNT25	13	F16	65902K99026Z	LEFT UPPER REAR COVER,GREEN GT,WITH STICKER	1	
TNT25	13	F16	65902K99027Z	LEFT UPPER REAR COVER,GRAPHITE BC,WITH STICKER	1	
TNT25	13	F16	65902K99028Z	LEFT UPPER REAR COVER,RED F9,WITH STICKER	1	
			65911K99BG10	RIGHT LOWER REAR COVER MATT BLACK BG	1	
			65912K99BG10	LEFT LOWER REAR COVER MATT BLACK BG	1	
TNT25	14	F16	65801T850100	INSERT ST4.2	6	



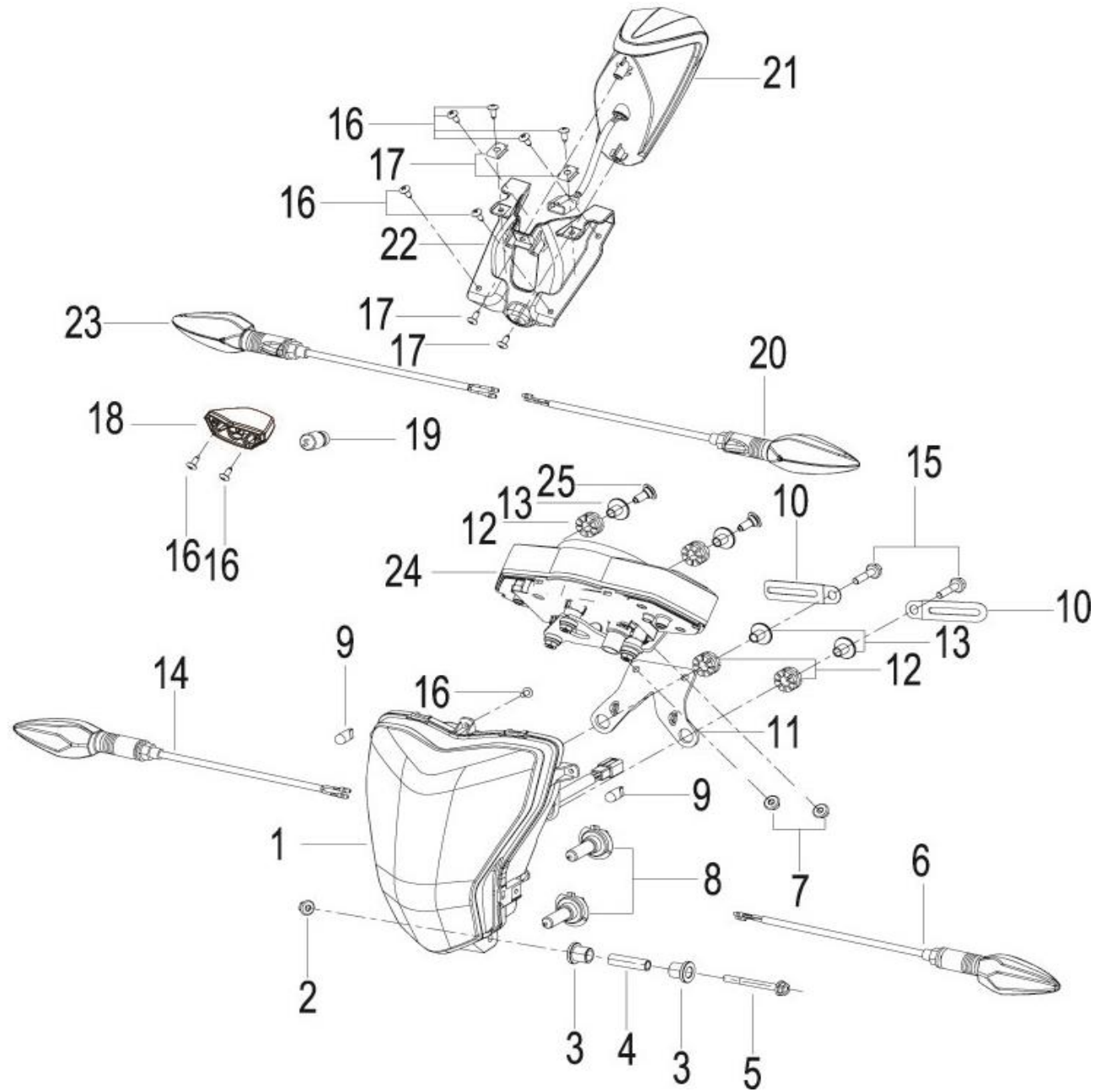
Model	NO.	Position No.	CODE	EN DESCRIPTION	Qty/Unit	Remark
TNT25	15	F16	B05003509525	TAPPING SCREW ST3.5×9.5	10	
TNT25	16	F16	50018G530000	RUBBER CUSHION	2	
TNT25	17	F16	65305K990000	PROTECTING WIRE NET	2	
TNT25	18	F16	65601K99BG00	SIDE COVER,LEFT,MATTE BLACK BG	1	
TNT25	19	F16	B0284060150A	SCREW M6×15.2	2	
TNT25	20	F16	65602K99BG00	SIDE COVER,RIGHT,MATTE BLACK BG	1	
TNT25	21	F16	65618J820000	RUBBER CUSHION	2	
TNT25	22	F16	51076J410100	BUSH	4	
TNT25	23	F16	51102K990000	DECORATIVE PLATE,FRONT SEAT	1	
TNT25	24	F16	B0703000060H	WASHER 6	1	
TNT25	25	F16	B05005001423	SCREW M5×14	1	

F17 后挡泥板 REAR FENDER ASSY.



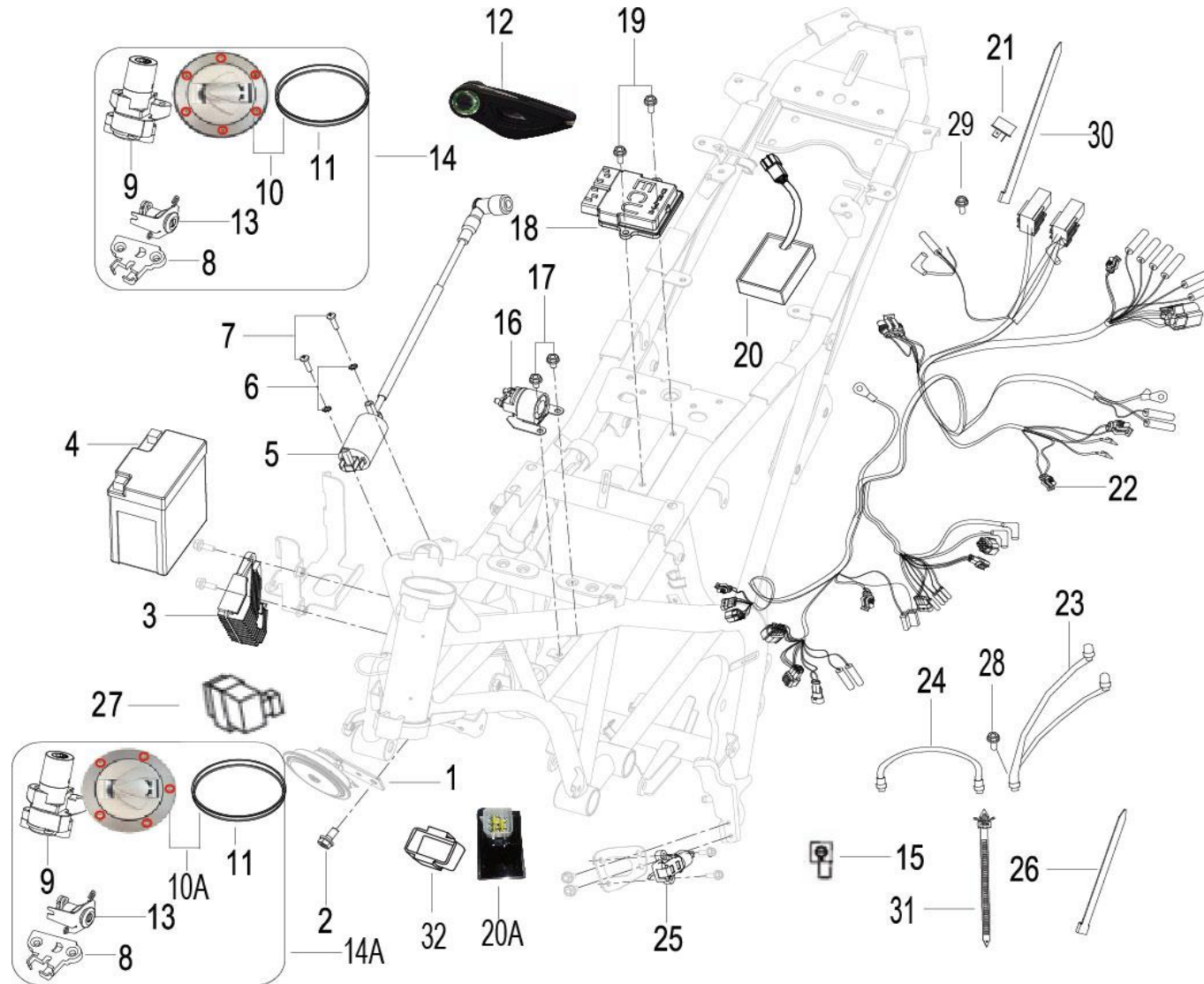
Model	NO.	Position No.	CODE	EN DESCRIPTION	Qty/Unit	Remark
TNT25	1	F17	65731K990000	FORESIDE ,RR. FENDER	1	
TNT25	2	F17	B0507420130H	SCREW ST4.2x13	4	
TNT25	3	F17	65701K990000	REAR FENDER LEFT PART	1	
TNT25	4	F17	B02810602562	SCREW M6x25	1	
TNT25	5	F17	86300N060000	SIDE REFLECTOR	2	
TNT25	6	F17	86500B720001	REAR REFLECTOR	1	
TNT25	7	F17	B01090601665	BOLT M6x16	2	
TNT25	8	F17	08252N210000	REAR LINCENSE PLATE BRACKET	1	
TNT25	9	F17	65709K990000	REAR FENDER RIGHT PART	1	
TNT25	10	F17	B04000600054	NUT M6	1	
TNT25	11	F17	B02810601262	HEXAGON SCREWS M6x12	2	
TNT25	12	F17	65160J570000	FRONT FENDER RUBBER CUSHION	1	
TNT25	13	F17	65713H160000	REAR FENDER RUBBER CUSHION	1	

F18 灯具及仪表 LIGHT & SPEEDOMETER ASSY.



Model	NO.	Position No.	CODE	EN DESCRIPTION	Qty/Unit	Remark
TNT25	1	F18	80000P100030	HEAD LIGHT	1	
TNT25	2	F18	B0407060005H	NUT M6	1	
TNT25	3	F18	08524P250000	BUFFER JACKET	2	
TNT25	4	F18	08523P250000	HEADLIGHT LOWER SLEEVE	1	
TNT25	5	F18	B0109060606K	BOLTM6x60	1	
TNT25	6	F18	81100K980000	FRONT LEFT TURN SIGNAL LIGHT	1	
TNT25	7	F18	B0407060005H	NUT M6	2	
TNT25	8	F18	B240137200F0	BUBL 12V55W-H7	2	
TNT25	9	F18	B24013120000	BULB 12V5W	2	
TNT25	10	F18	58430J670000	CLIP	2	
TNT25	11	F18	08345N220000	HEADLIGHT UPPER BRACKET	1	
TNT25	12	F18	65618J820000	RUBBER CUSHION	4	
TNT25	13	F18	51076J410100	BUSH	4	
TNT25	14	F18	81300K980000	FRONT RIGHT TURN SIGNAL LIGHT	1	
TNT25	15	F18	B0109060256H	BOLT M6x25	2	
TNT25	16	F18	B0507420130H	TAPPING SCREW ST4.2x13	9	
TNT25	17	F18	B05074801305	TAPPING SCREW M6x25	2	
TNT25	18	F18	82900N210000	REAR LICENSE PLATE LIGHT	1	
TNT25	19	F18	B24013120000	BULB 12V5W	1	
TNT25	20	F18	81500K980000	REAR LEFT TURN SIGNAL LIGHT	1	
TNT25	21	F18	82000J800000	TAIL LIGHT	1	
TNT25	22	F18	57294K990000	TAIL LIGHT HOLDER	1	
TNT25	23	F18	81700K980000	REAR RIGHT TURN SIGNAL LIGHT	1	
TNT25	24	F18	70000N220008	METER ASSY	1	
TNT25	25	F18	B0284060250A	STAINLESS SCREW M6x25	2	

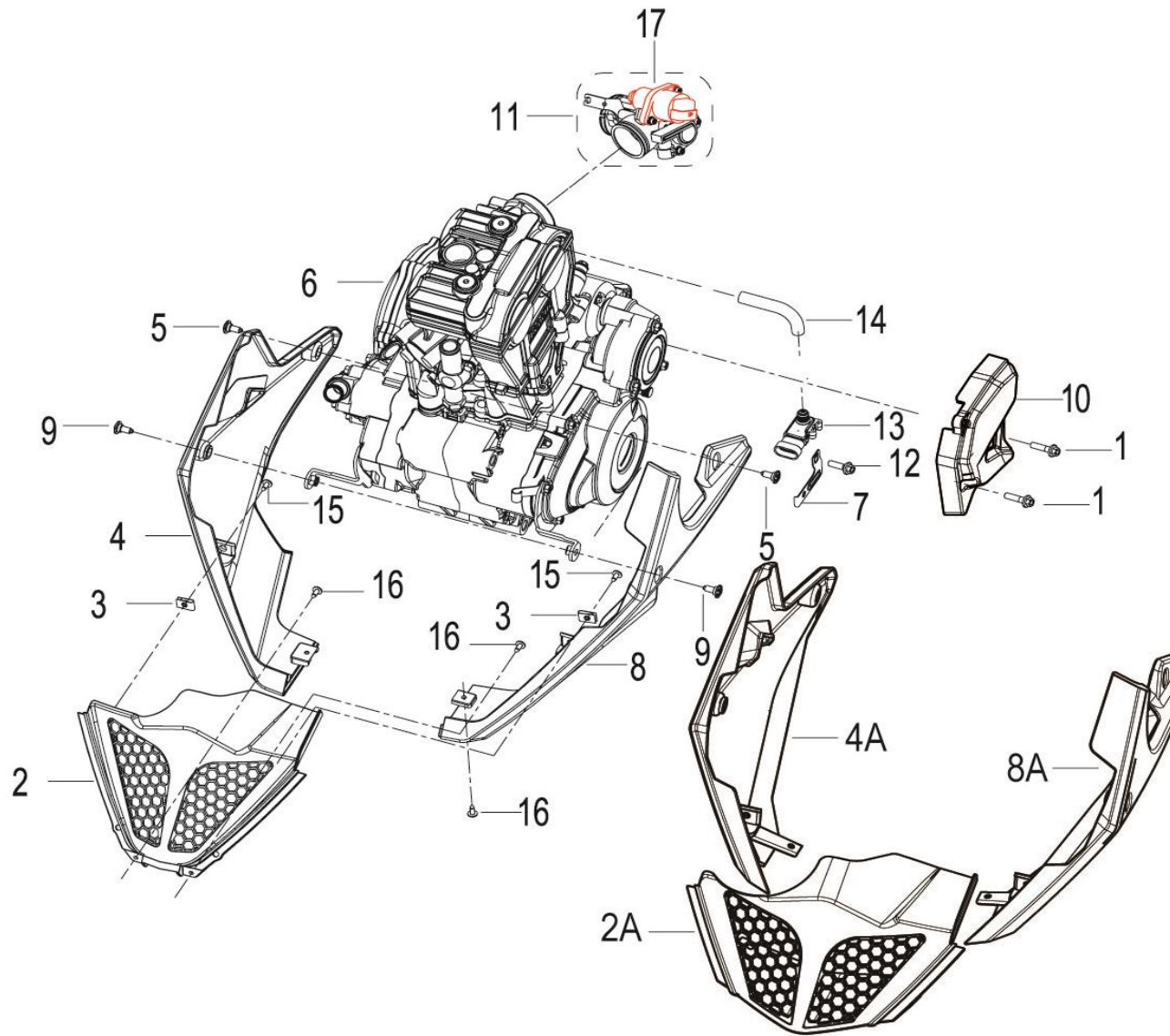
F19 电器 ELECTRICAL EQUIPMENT ASSY.



Model	NO.	Position No.	CODE	EN DESCRIPTION	Qty/Unit	Remark
TNT25	1	F19	95100J820000	HORN	1	
TNT25	2	F19	B01090801665	BOLT M8×16	1	
TNT25	3	F19	299066080010	RECTIFIER	1	

Model	NO.	Position No.	CODE	EN DESCRIPTION	Qty/Unit	Remark
TNT25	4	F19	96100V030000	BATTERY YTX7L-BS	1	
TNT25	5	F19	96200N210000	IGNITION COIL	1	
TNT25	6	F19	B07210000501	EXTERNAL TEETH SERRATED LOCK WASHER 6	2	
TNT25	7	F19	B02000501225	SCREW M5x12	3	
TNT25	8	F19	58800P250000	SAET LOCK BRACKET ASSY	1	
TNT25	9	F19	88100P100000	POWER LOCK	1	
TNT25	10A	F19	88400P250002	NEW FUEL TANK LOCK	1	
TNT25	11	F19	88415S010000	FUEL TANK LOCK SEAL	1	
TNT25	12	F19	88910S01090X	BLANK KEY	1	
TNT25	13	F19	88800P250000	SEAT LOCK	1	
TNT25	14A	F19	88000N220006	LOCK ASSY,for new fuel tank	1	
TNT25	15	F19	94118B910000	EARTH WIRE JACKET	1	
TNT25	16	F19	94100J000002	STARTER RELAY	1	
TNT25	17	F19	B01090601065	BOLT M6x10	2	
TNT25	18	F19	96C00N120D02	ECU	1	
TNT25	19	F19	B01090601665	BOLT M6x16	2	
TNT25	20A	F19	96400H390001	FLASHER	1	
TNT25	21	F19	96700K060000	STARTER DIODE	1	
TNT25	22	F19	92000N220007	MAIN WIRE HARNESS,AUTOMATIC HEADLIGHT ON	1	
TNT25	23	F19	92500N220000	EARTH WIRE	1	
TNT25	24	F19	92200G120000	POWER CABLE	1	
TNT25	25	F19	91170N070000	SIDESTAND SWITCH	1	
TNT25	26	F19	40098B450000	BAND 3x150MM	10	
TNT25	27	F19	94400N140000	HEADLIGHT RELAY CONTROLLER,MARK:250T-4	1	
TNT25	28	F19	B0109060126H	BOLT M6x12	2	
TNT25	29	F19	B01090501265	BOLT M5x12	1	
TNT25	30	F19	96001J000000	BAND 150MM	2	
TNT25	31	F19	96001T750000	BAND 150MM	4	
TNT25	32	F19	96007B720001	JACKET,FLASHER	1	

F20 发动机 ENGINE ASSY.

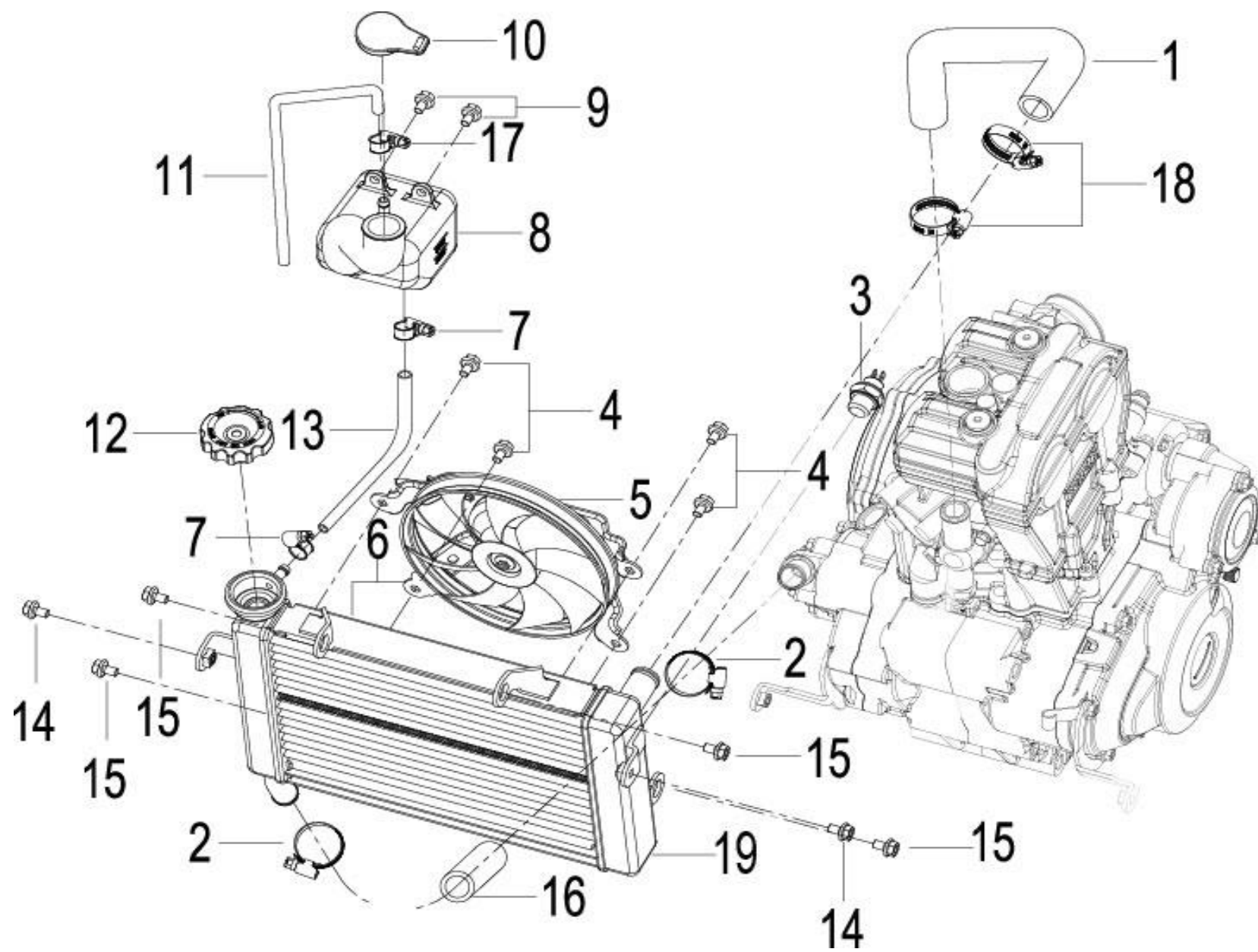


Model	NO.	Position No.	CODE	EN DESCRIPTION	Qty/Unit	Remark
TNT25	1	F20	B0107060206H	BOLT M6x20	2	
TNT25	2A	F20	65408N250000	GRID,BOTTOM COVER	1	

Model	NO.	Position No.	CODE	EN DESCRIPTION	Qty/Unit	Remark
TNT25	3	F20	65801T850100	INSERT ST4.2	2	
TNT25	4A	F20	65407N25GT00	RIGHT BOTTOM COWLING, GREEN GT	1	
TNT25	4A	F20	65407N25F900	RIGHT BOTTOM COWLING, RED F9	1	
TNT25	4A	F20	65407N25001Z	RIGHT BOTTOM COWLING, WHITE WF, WITH STICKER	1	
TNT25	4A	F20	65407N25002Z	RIGHT BOTTOM COWLING, GREEN GT, WITH STICKER	1	
TNT25	4A	F20	65407N25003Z	RIGHT BOTTOM COWLING, GRAPHITE BC, WITH STICKER	1	
TNT25	4A	F20	65407N25004Z	RIGHT BOTTOM COWLING, RED F9, WITH STICKER	1	
TNT25	5	F20	B0284060150A	SCREW M6x15.2	2	
TNT25	6	F20	C25150040000	ENGINE ASSY	1	
TNT25	7	F20	96911T740000	INTAKE AIR PRESSURE SENSOR BRACKET	1	
TNT25	8A	F20	65406N25GT00	LEFT BOTTOM COWLING, GREEN GT	1	
TNT25	8A	F20	65406N25BC00	LEFT BOTTOM COWLING, GRAPHITE BC	1	
TNT25	8A	F20	65406N25F900	LEFT BOTTOM COWLING, RED F9	1	
TNT25	8A	F20	65406N25001Z	LEFT BOTTOM COWLING, WHITE WF, WITH STICKER	1	
TNT25	8A	F20	65406N25002Z	LEFT BOTTOM COWLING, GREEN GT, WITH STICKER	1	
TNT25	8A	F20	65406N25003Z	LEFT BOTTOM COWLING, GRAPHITE BC, WITH STICKER	1	
TNT25	8A	F20	65406N25004Z	LEFT BOTTOM COWLING, RED F9, WITH STICKER	1	
TNT25	9	F20	B0284060190A	SCREW M6x19.2	2	
TNT25	10	F20	169045150070	ENGINE LEFT REAR COVER, GREY	1	
TNT25	11	F20	289005150020	THROTTLE BODY ASSY	1	
TNT25	12	F20	B01090601065	BOLT M6x10	1	
TNT25	13	F20	280106220000	INTAKE AIR PRESSURE SENSOR	1	
TNT25	14	F20	110075130010	MAP PIPE	1	
TNT25	15	F20	B05074801305	TAPPING SCREW ST4.8x13	2	
TNT25	16	F20	B0507420130H	TAPPING SCREW ST4.2x13	3	
TNT25	17	F20	280476030010	STEPPER MOTOR	1	

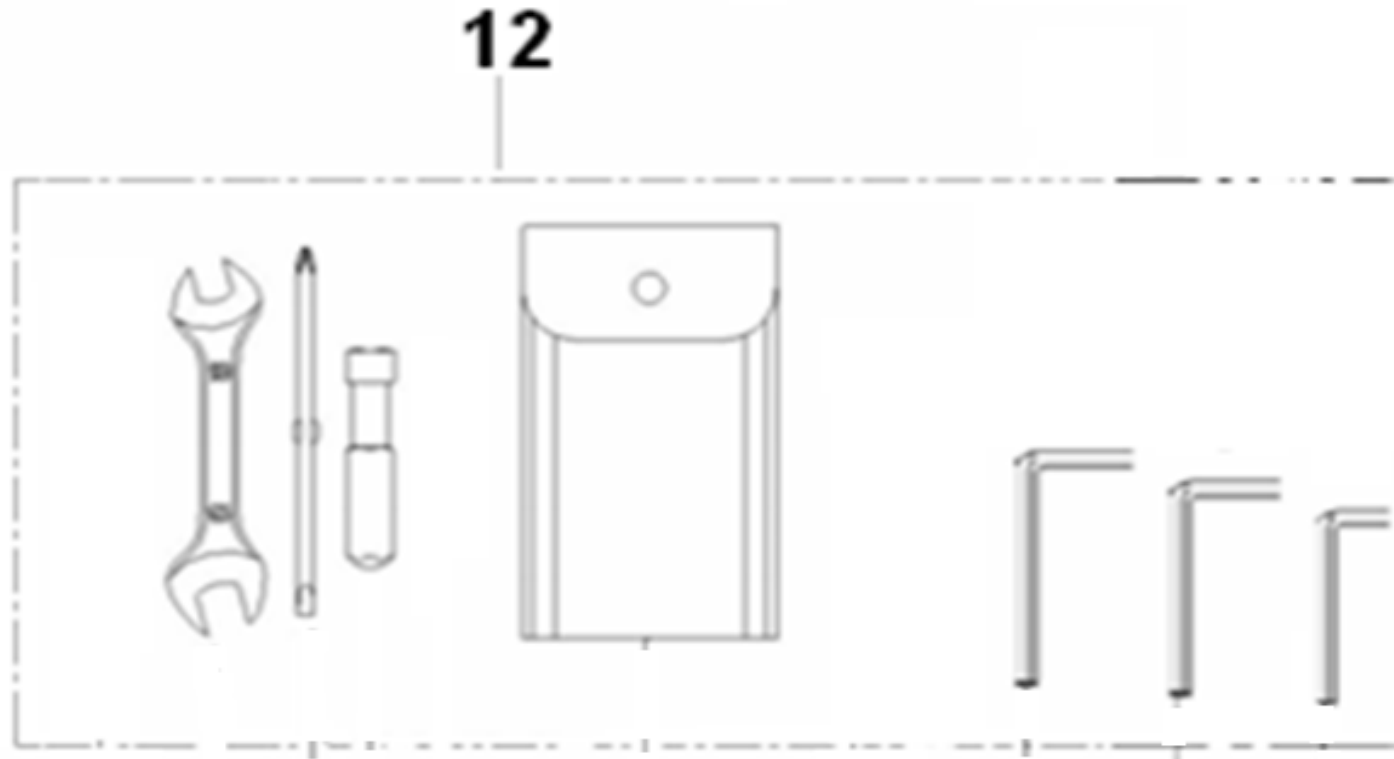


F21 冷却系统 cooling system ASSY.



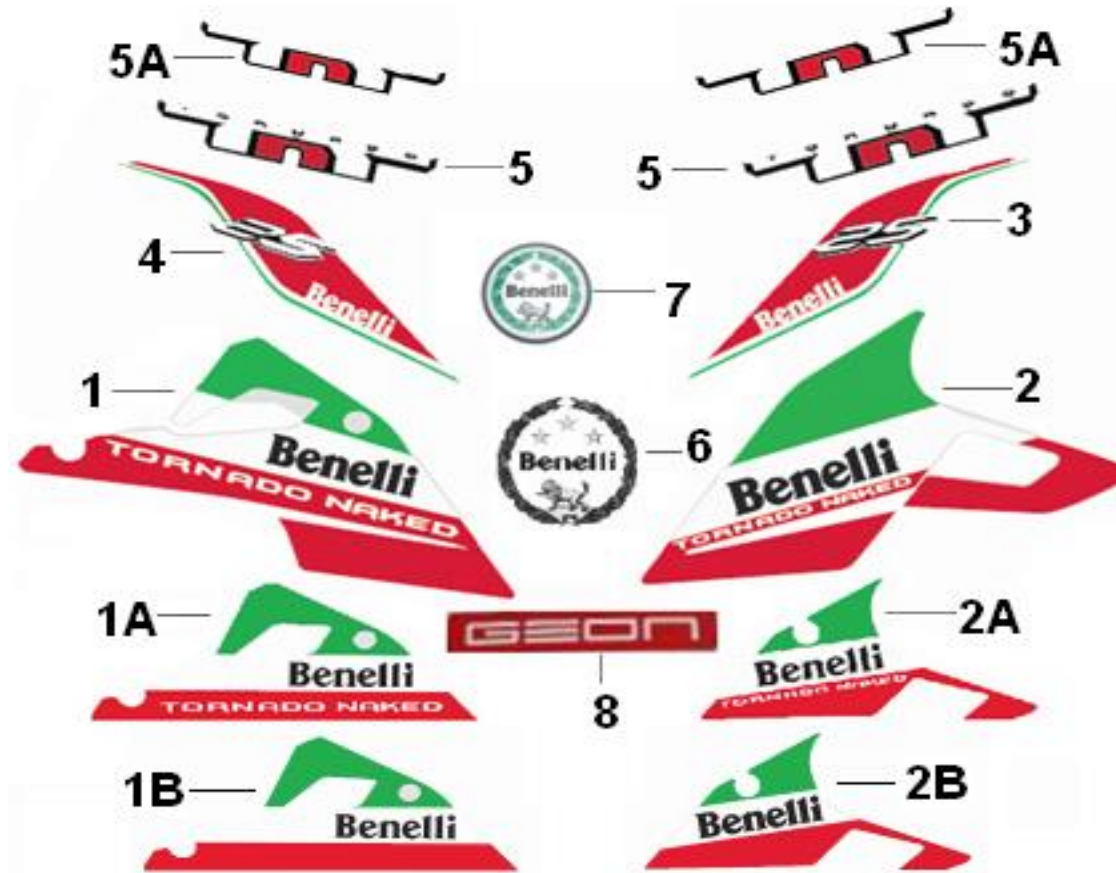
Model	NO.	Position No.	CODE	EN DESCRIPTION	Qty/Unit	Remark
TNT25	1	F21	06101N220000	OUTLET HOSE	1	
TNT25	2	F21	270026110000	STAINLESS CLAMP	2	
TNT25	3	F21	279115050000	COOLANT TEMPERATURE SENSOR	1	
TNT25	4	F21	B0109060126H	BOLT M6x12	4	
TNT25	5	F21	279026030040	RADIATOR FAN	1	
TNT25	6	F21	279125150030	RADIATOR	1	
TNT25	7	F21	50376S010000	CLIP 10	3	
TNT25	8	F21	06111N220000	RESERVE TANK	1	
TNT25	9	F21	B0109060126H	BOLT M6x12	2	
TNT25	10	F21	06112J690000	COOLANT RESERVE TANK CAP	1	
TNT25	11	F21	06102T430007	COOLANT RESERVE HOSE	1	
TNT25	12	F21	279185050000	RADIATOR CAP	1	
TNT25	13	F21	06103N220000	OVERFLOW PIPE	1	
TNT25	14	F21	B0284060300A	SCREW M6x30	2	
TNT25	15	F21	B01090602065	SCREW M6x20	4	
TNT25	16	F21	06102N220000	INLET HOSE	1	
TNT25	17	F21	50307J140002	PLATE CLAMP10	1	
TNT25	18	F21	270125060020	STAINLESS CLAMP	2	
TNT25	19	F21	279135150010	RADIATOR,without fan	1	

F23 随车工具 TOOL KIT ASSY.



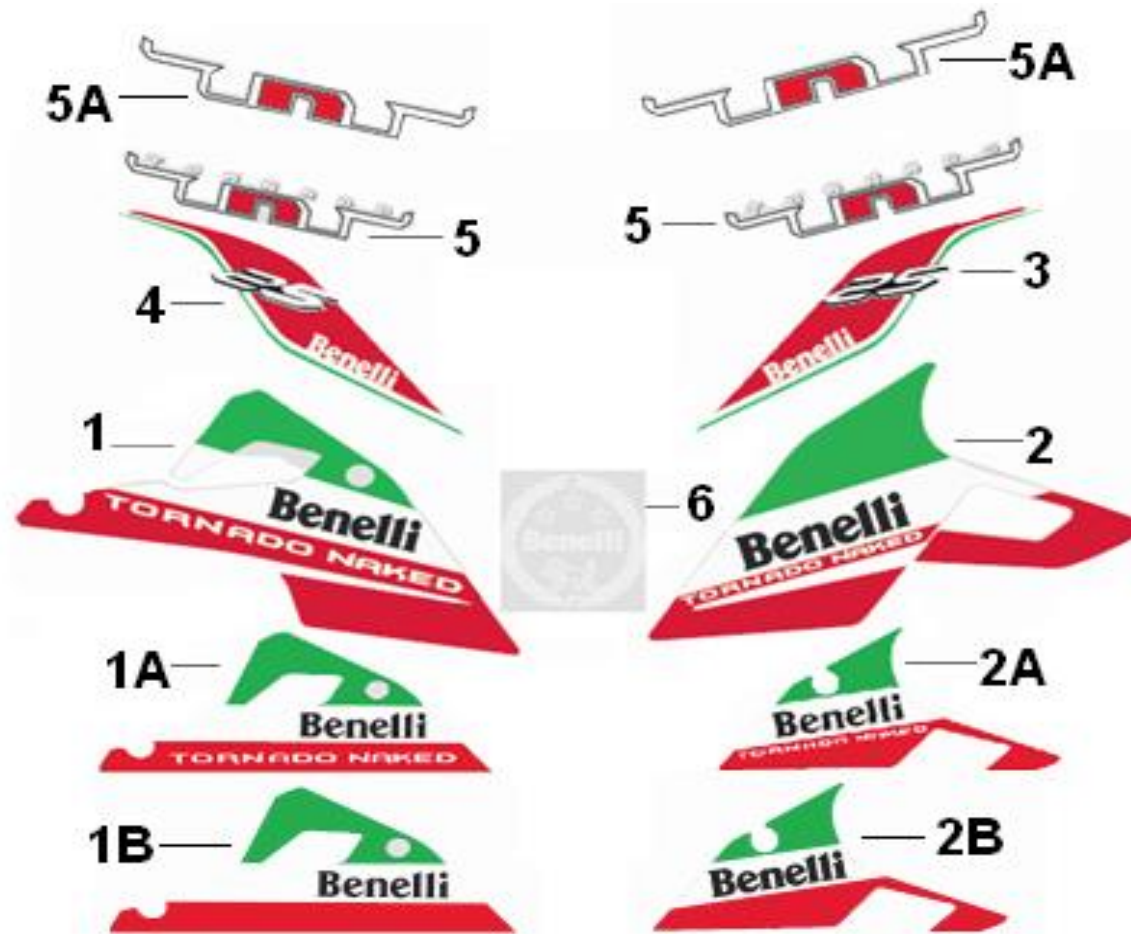
Model	NO.	Position No.	CODE	EN DESCRIPTION	Qty/Unit	Remark
TNT25	12	F22	02100N220001	TOOL KIT ASSY	1	

F23 STICKER(for white WF)



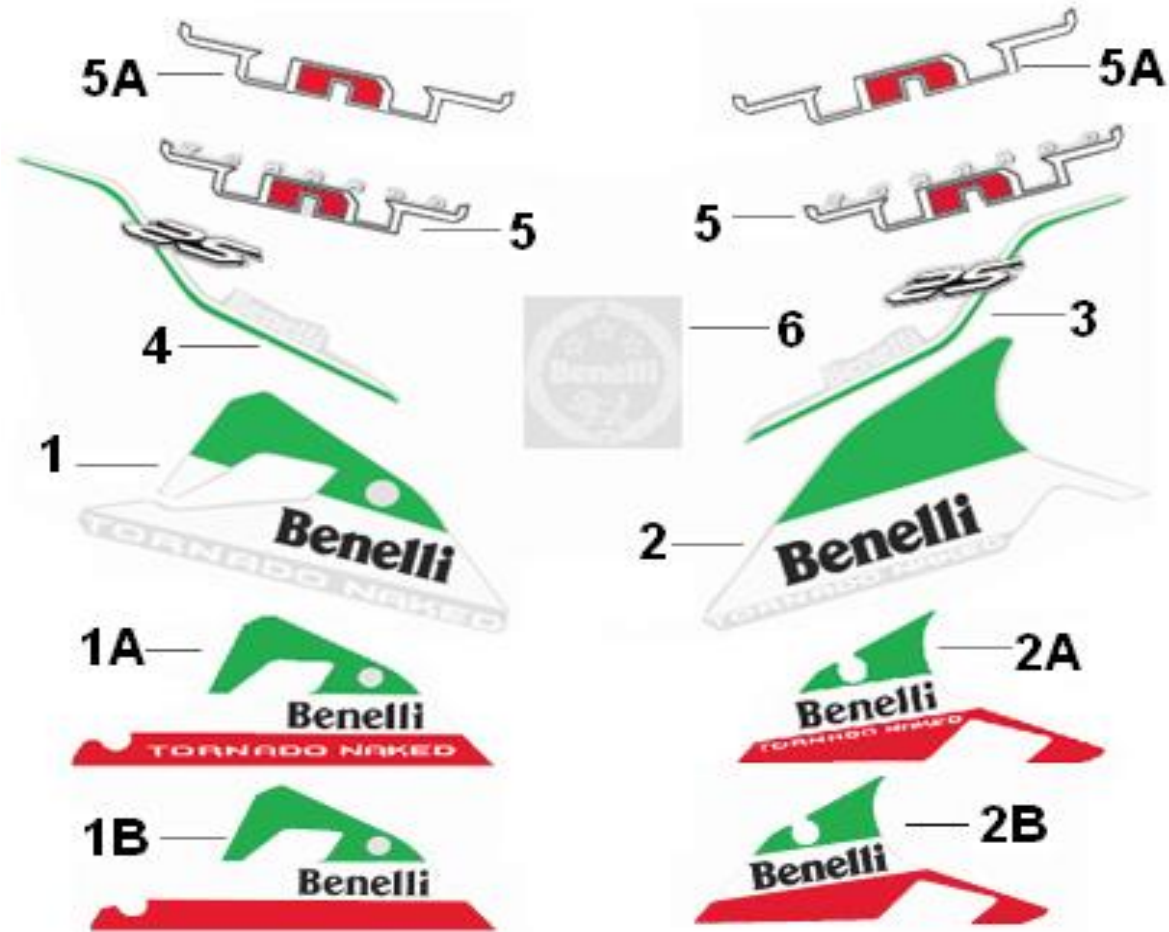
Model	NO.	Position No.	CODE	EN DESCRIPTION	Qty/Unit	Remark
TNT25	1A	F23	05542N220004	RIGHT LOWER COWLING STICKER	1	
TNT25	2A	F23	05541N220004	LEFT LOWER COWLING STICKER	1	
TNT25	3	F23	05571N22WF02	LEFT UPPER REAR COVER STICKER	1	
TNT25	4	F23	05572N22WF02	RIGHT UPPER REAR COVER STICKER	1	
TNT25	5	F23	05531N22WF02	FUEL TANK COVER STICKER	2	
TNT25	6	F23	05501N22WF02	STICKER,FRONT FENDER	1	
TNT25	7	F23	05521B450000	BENELLI LABEL	2	

F24 STICKER(for green GT & graphite black BC)



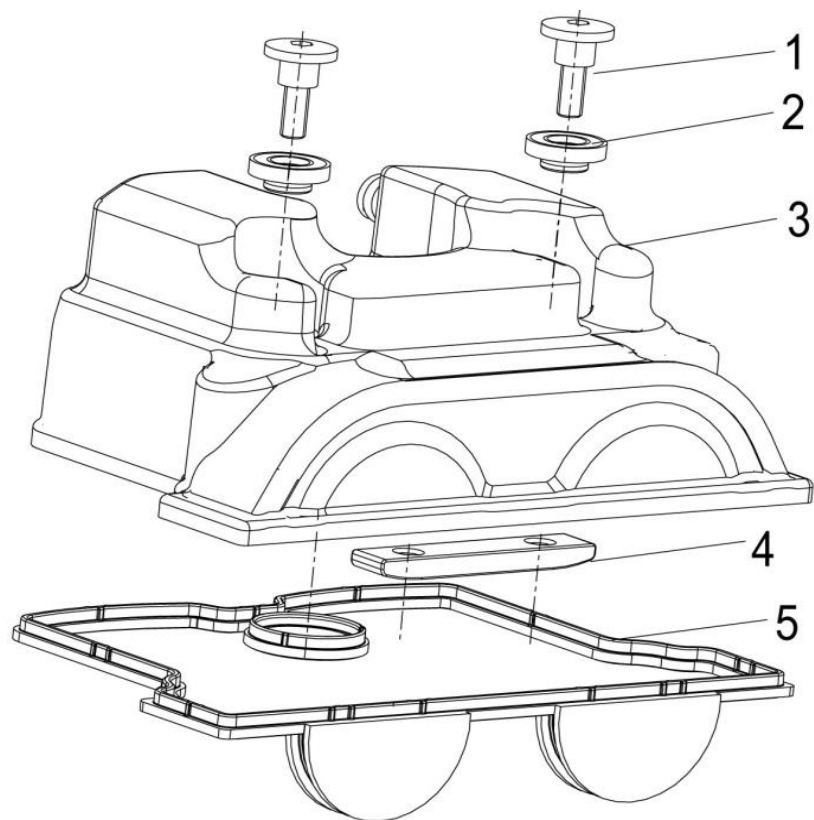
Model	NO.	Position No.	CODE	EN DESCRIPTION	Qty/Unit	Remark
TNT25	1A	F24	05542N220004	RIGHT LOWER COWLING STICKER	1	
TNT25	2A	F24	05541N220004	LEFT LOWER COWLING STICKER	1	
TNT25	3	F24	05571N22WF02	LEFT UPPER REAR COVER STICKER	1	
TNT25	4	F24	05572N22WF02	RIGHT UPPER REAR COVER STICKER	1	
TNT25	5	F24	05531N22F902	FUEL TANK COVER STICKER	2	
TNT25	6	F24	05501N22GT02	STICKER,FRONT FENDER	1	

F25 STICKER(for red F9)



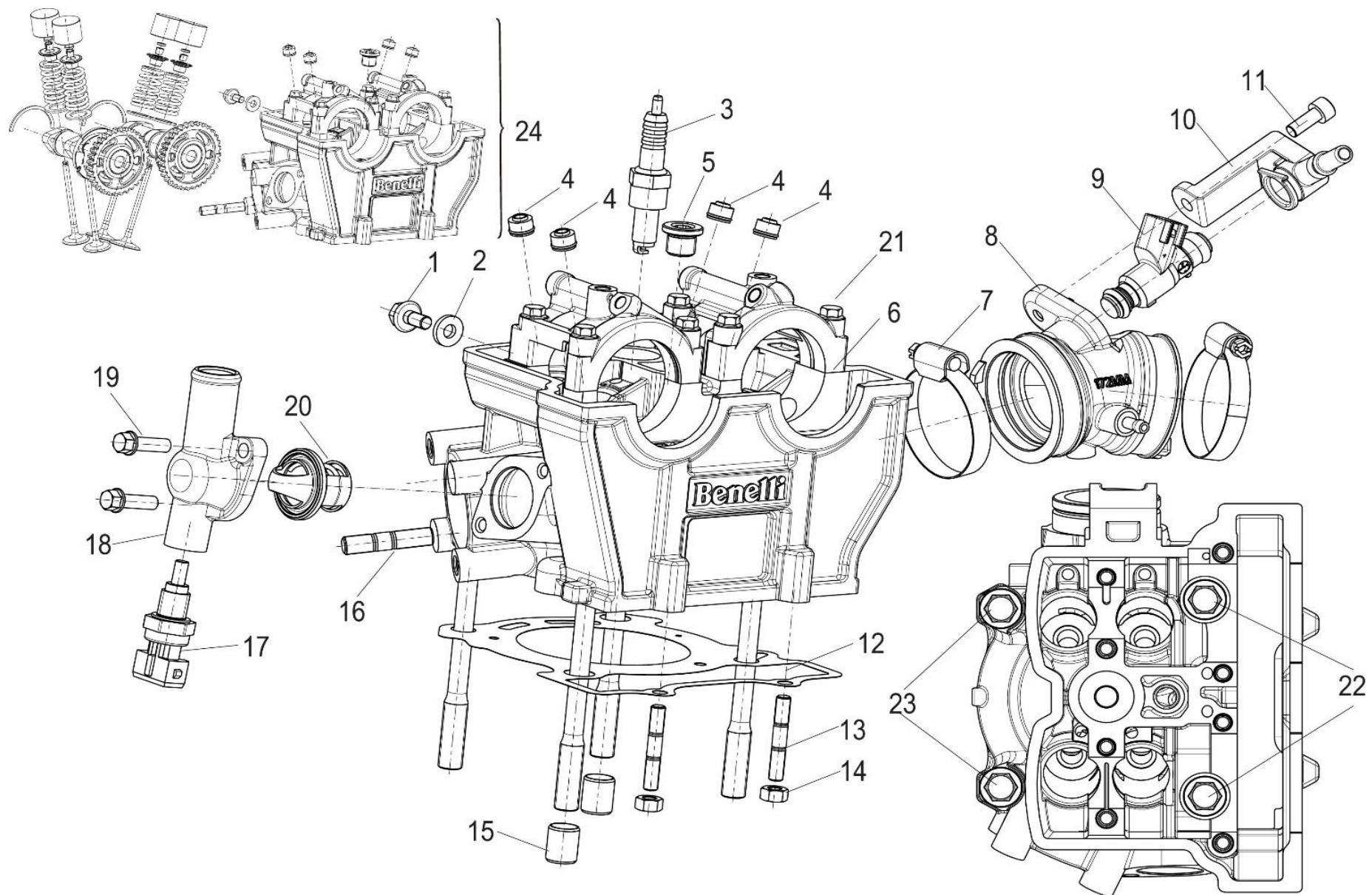
Model	NO.	Position No.	CODE	EN DESCRIPTION	Qty/Unit	Remark
TNT25	1A	F25	05542N220004	RIGHT LOWER COWLING STICKER	1	
TNT25	2A	F25	05541N220004	LEFT LOWER COWLING STICKER	1	
TNT25	3	F25	05571N22F902	LEFT UPPER REAR COVER STICKER	1	
TNT25	4	F25	05572N22F902	RIGHT UPPER REAR COVER STICKER	1	
TNT25	5	F25	05531N22F902	FUEL TANK COVER STICKER	2	
TNT25	6	F25	05501N22GT02	STICKER,FRONT FENDER	1	

E01 CYLINDER HEAD COVER ASSY(气缸盖罩分总成)



Model	NO.	Position No.	CODE	EN DESCRIPTION	Qty/Unit	REMARK
TNT25	1	E01	110026030000	DOWEL SCREW	2	
TNT25	2	E01	100066030000	SEAL WASHER ASSY.	2	
TNT25	3	E01	100405150050	CYLINDER HEAD COVER	1	
TNT25	4	E01	100045150000	CAMSHAFT CHAIN GUIDE(UPPER)	1	
TNT25	5	E01	100055150010	CYLINDER HEAD COVER GASKET	1	

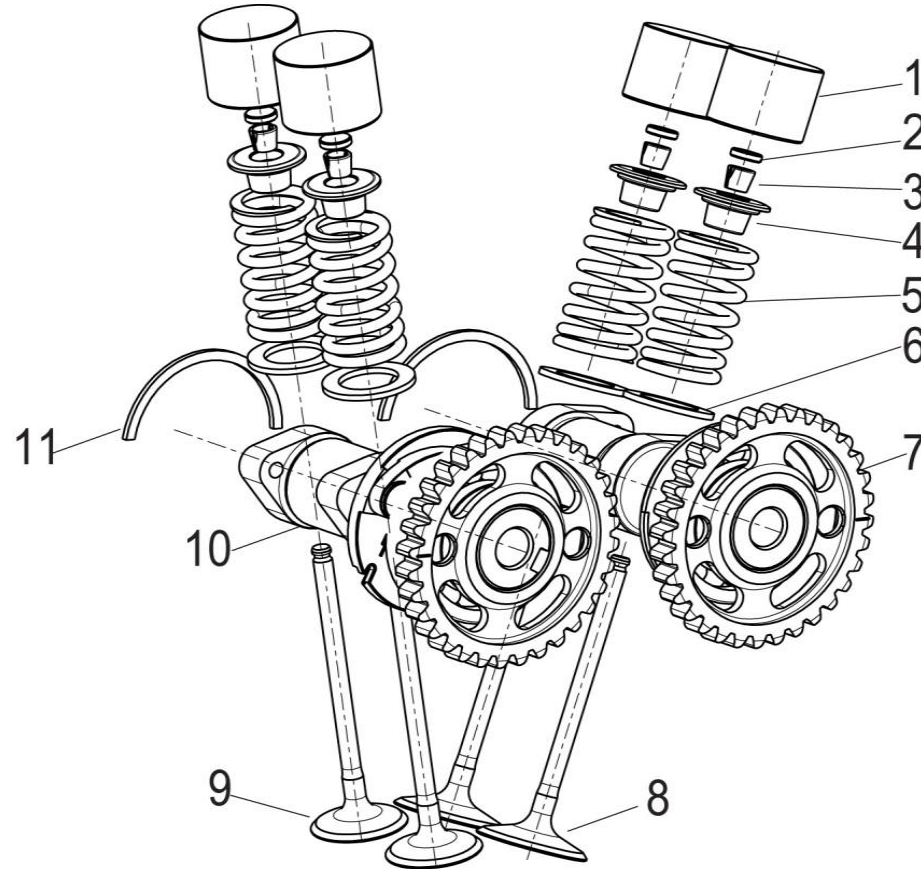
E02 CYLINDER HEAD ASSY(气缸盖分总成)





Model	NO.	Position No.	CODE	EN DESCRIPTION	Qty/Unit	REMARK
TNT25	1	E02	B01070601263	BOLT M6X12	1	
TNT25	2	E02	100071270000	WASHER 6.2X14X2.2	1	
TNT25	3	E02	AC-005-1201-0009	SPARK PLUG	1	
TNT25	4	E02	120015090000	VALVE STEM SEAL	4	
TNT25	5	E02	100325150000	WATER JACKET SCREW	1	
TNT25	6	E02	109055150050	CYLINDER HEAD ASSY	1	
TNT25	7	E02	100355150000	CLAMP ASSY	2	
TNT25	8	E02	119015150030	INLET AIR DUCT	1	
TNT25	9	E02	289035110010	FUEL INJECTOR	1	
TNT25	10	E02	280045140010	INJECTION HOUSING	1	
TNT25	11	E02	B02050601565	HEXAGON SOCKET HEAD CAP SCREWS	1	
TNT25	12	E02	100205150011	CYLINDER HEAD GASKET	1	
TNT25	13	E02	B03000602565	DOUBLE END STUDS	2	
TNT25	14	E02	B04000600055	HEXAGON NUTS	2	
TNT25	15	E02	100255150000	DOWEL PIN	2	
TNT25	16	E02	B0300080206H	DOUBLE END STUDS	1	
TNT25	17	E02	270013160002	COOLANT TEMPERATURE SENSOR	1	
TNT25	18	E02	100265150020	THERMOSTAT COVER	1	
TNT25	19	E02	B0107060206H	HEXAGON BOLTS WITH FLANGE	2	
TNT25	20	E02	279165050000	THERMOSTAT ASSY	1	
TNT25	21	E02	B0107060406H	HEXAGON BOLTS WITH FLANGE M6X40	8	
TNT25	22	E02	100155150000	CYLINDER HEAD BOLT ASSY I	2	
TNT25	23	E02	100185150000	CYLINDER HEAD BOLT ASSY II	2	
TNT25	24	E02	109055150070	CYLINDER HEAD COVER COMP.	1	

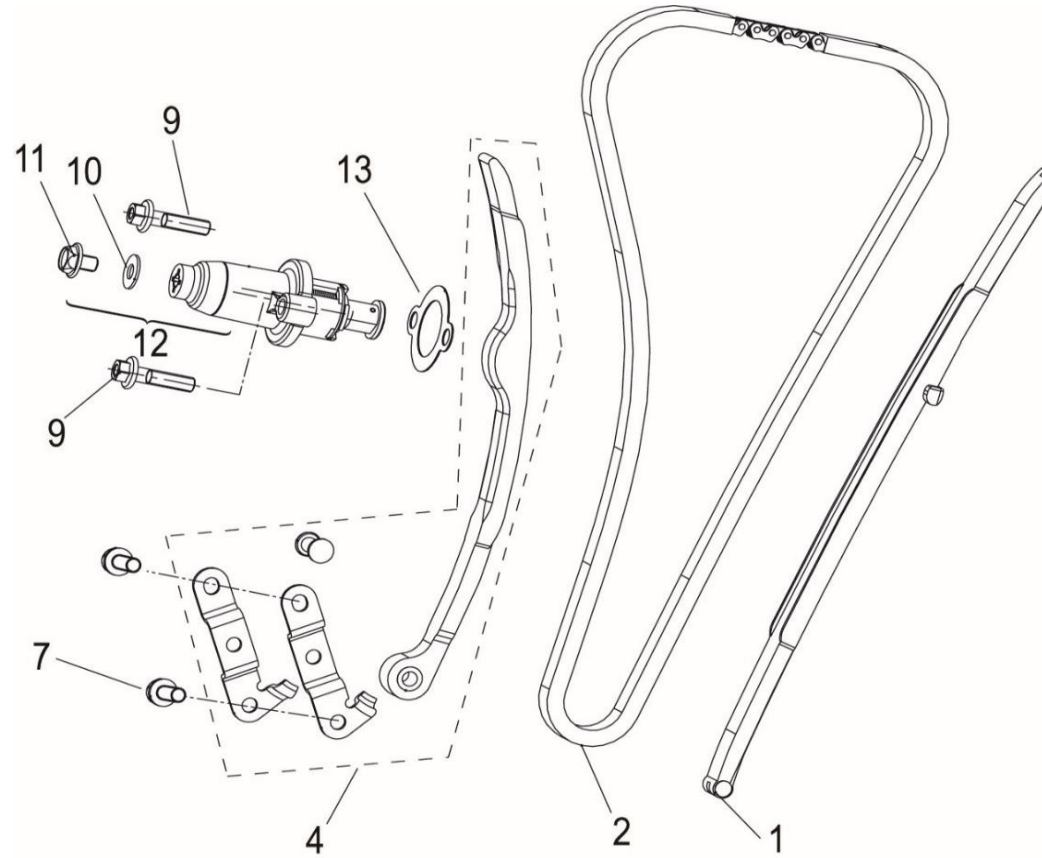
E03 VALVE MECHANISM SUB-ASSY(配气机构分总成)



Model	NO.	Position No.	CODE	EN DESCRIPTION	Qty/Unit	REMARK
TNT25	1	E03	120015150000	VALVE LIFTER	4	
TNT25	2	E03	120096030000	VALVE ADJUSTING WASHE,δ1.600mm	4	
TNT25	2	E03	120096030020	VALVE ADJUSTING WASHE,δ1.625mm	4	
TNT25	2	E03	120096030021	VALVE ADJUSTING WASHE,δ1.650mm	4	
TNT25	2	E03	120096030022	VALVE ADJUSTING WASHE,δ1.675mm	4	
TNT25	2	E03	120096030023	VALVE ADJUSTING WASHE,δ1.700mm	4	
TNT25	2	E03	120096030024	VALVE ADJUSTING WASHE,δ1.725mm	4	
TNT25	2	E03	120096030025	VALVE ADJUSTING WASHE,δ1.750mm	4	
TNT25	2	E03	120096030026	VALVE ADJUSTING WASHE,δ1.775mm	4	

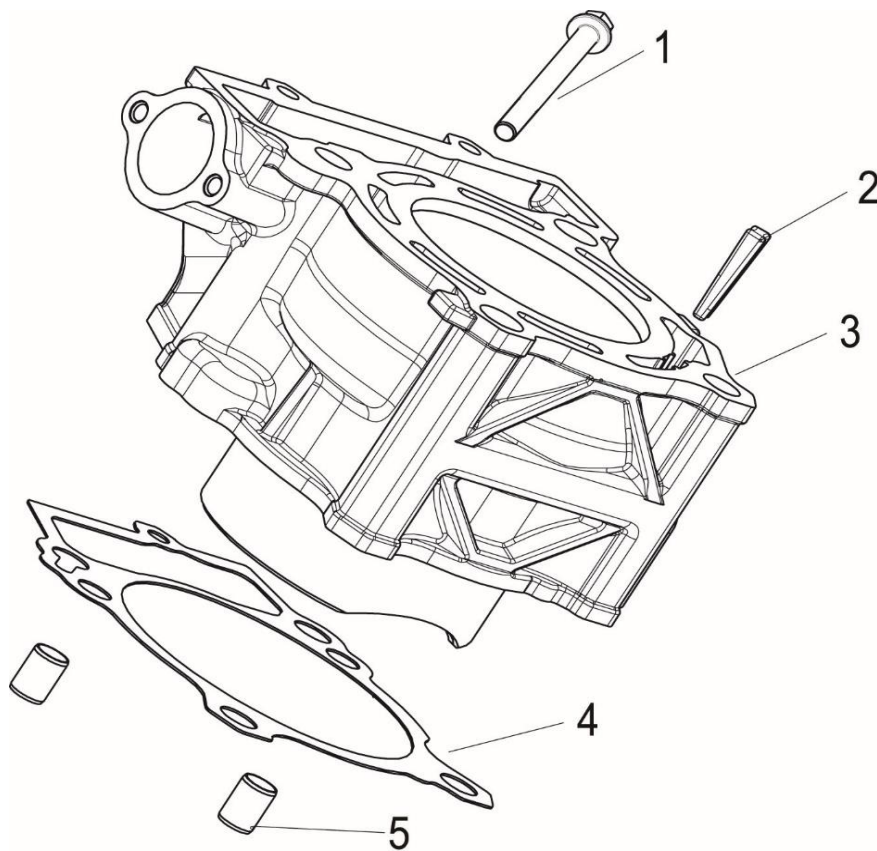
Model	NO.	Position No.	CODE	EN DESCRIPTION	Qty/Unit	REMARK
TNT25	2	E03	120096030027	VALVE ADJUSTING WASHE,δ1.800mm	4	
TNT25	2	E03	120096030028	VALVE ADJUSTING WASHE,δ1.825mm	4	
TNT25	2	E03	120096030029	VALVE ADJUSTING WASHE,δ1.850mm	4	
TNT25	2	E03	120096030030	VALVE ADJUSTING WASHE,δ1.875mm	4	
TNT25	2	E03	120096030031	VALVE ADJUSTING WASHE,δ1.900mm	4	
TNT25	2	E03	120096030032	VALVE ADJUSTING WASHE,δ1.925mm	4	
TNT25	2	E03	120096030033	VALVE ADJUSTING WASHE,δ1.950mm	4	
TNT25	2	E03	120096030034	VALVE ADJUSTING WASHE,δ1.975mm	4	
TNT25	2	E03	120096030035	VALVE ADJUSTING WASHE,δ2.000mm	4	
TNT25	2	E03	120096030036	VALVE ADJUSTING WASHE,δ2.025mm	4	
TNT25	2	E03	120096030037	VALVE ADJUSTING WASHE,δ2.050mm	4	
TNT25	2	E03	120096030038	VALVE ADJUSTING WASHE,δ2.075mm	4	
TNT25	2	E03	120096030039	VALVE ADJUSTING WASHE,δ2.100mm	4	
TNT25	2	E03	120096030040	VALVE ADJUSTING WASHE,δ2.125mm	4	
TNT25	2	E03	120096030041	VALVE ADJUSTING WASHE,δ2.150mm	4	
TNT25	2	E03	120096030042	VALVE ADJUSTING WASHE,δ2.175mm	4	
TNT25	2	E03	120096030043	VALVE ADJUSTING WASHE,δ2.200mm	4	
TNT25	2	E03	120096030044	VALVE ADJUSTING WASHE,δ2.225mm	4	
TNT25	2	E03	120096030045	VALVE ADJUSTING WASHE,δ2.250mm	4	
TNT25	2	E03	120096030046	VALVE ADJUSTING WASHE,δ2.275mm	4	
TNT25	3	E03	129225150000	SPLIT KEEPERS /VALVE COTTER	8	
TNT25	4	E03	129335150000	VALVE UPPER SPRING SEAT	4	
TNT25	5	E03	129255150000	VALVE SPRING	4	
TNT25	6	E03	129215150000	VALVE LOWER SPRING SEAT	4	
TNT25	7	E03	129095150000	INTAKE CAMSHAFT ESSY	1	
TNT25	8	E03	129185150000	INTAKE VALVE	2	
TNT25	9	E03	129195150000	EXHAUST VALVE	2	
TNT25	10	E03	129105150000	EXHAUST CAMSHAFT ESSY	1	
TNT25	11	E03	120025150000	STOP RING	2	

E04 STRAINER UNIT ASSY(正时传动机构分总成)



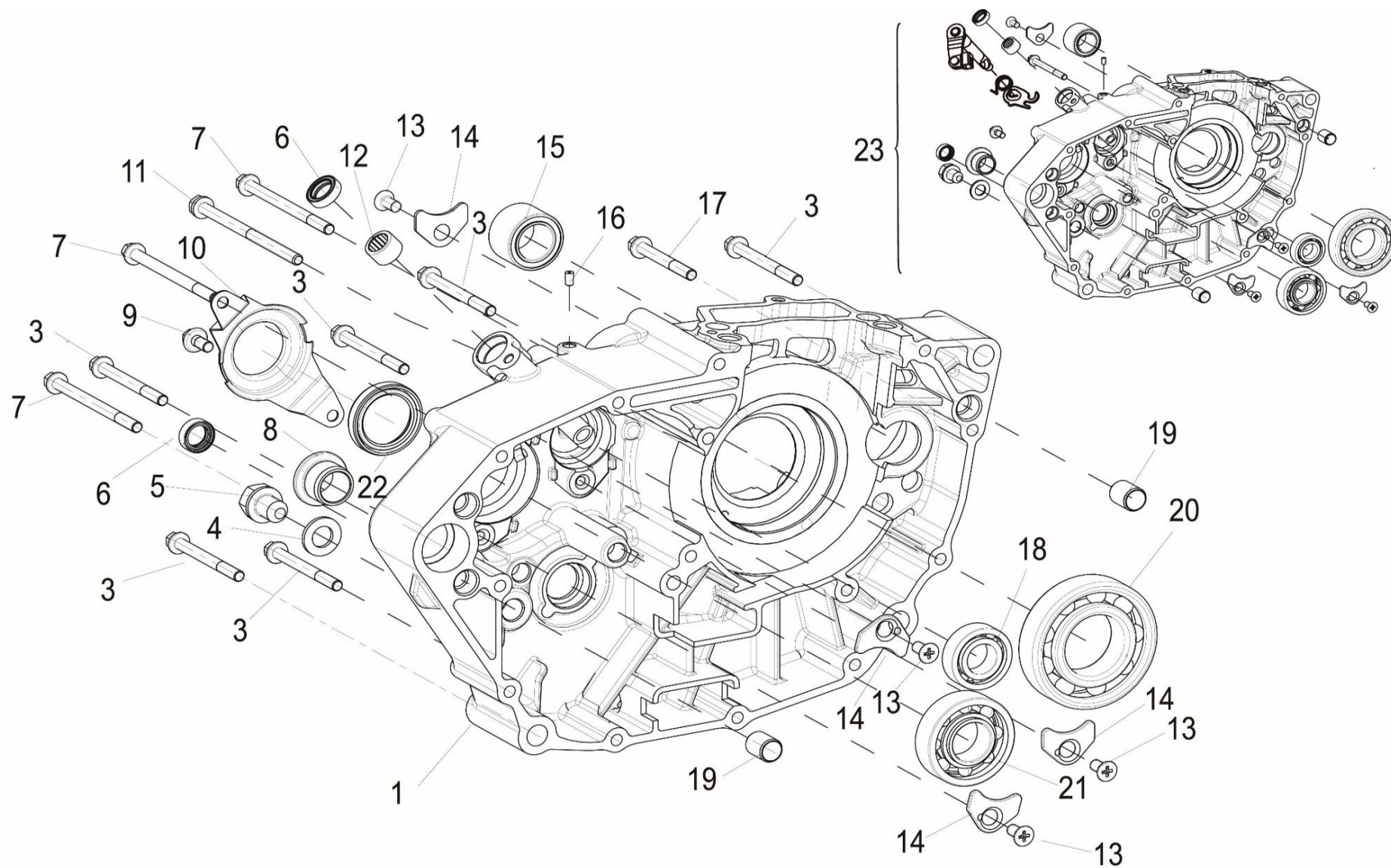
Model	NO.	Position No.	CODE	EN DESCRIPTION	Qty/Unit	REMARK
TNT25	1	E04	149025150000	FRONT CHAIN GUIDE	1	
TNT25	2	E04	129025150000	CAMSHAFT CHAIN	1	
TNT25	4	E04	140015150000	REAR CHAIN GUIDE ASSY.	1	
TNT25	7	E04	B01090601465	BOLT M6X14	2	
TNT25	9	E04	B01070602565	TENSIONER MOUNTING BOLT	2	
TNT25	10	E04	140116030000	RUBBER PLUG	1	
TNT25	11	E04	140106030000	TENSIONER BOLT	1	
TNT25	12	E04	149035150000	CAMSHAFT CHAIN TENSIONER	1	
TNT25	13	E04	140176030000	TENSIONER GASKET	1	

E05 CYLINDER BLOCK ASSEMBLY (气缸体总成)



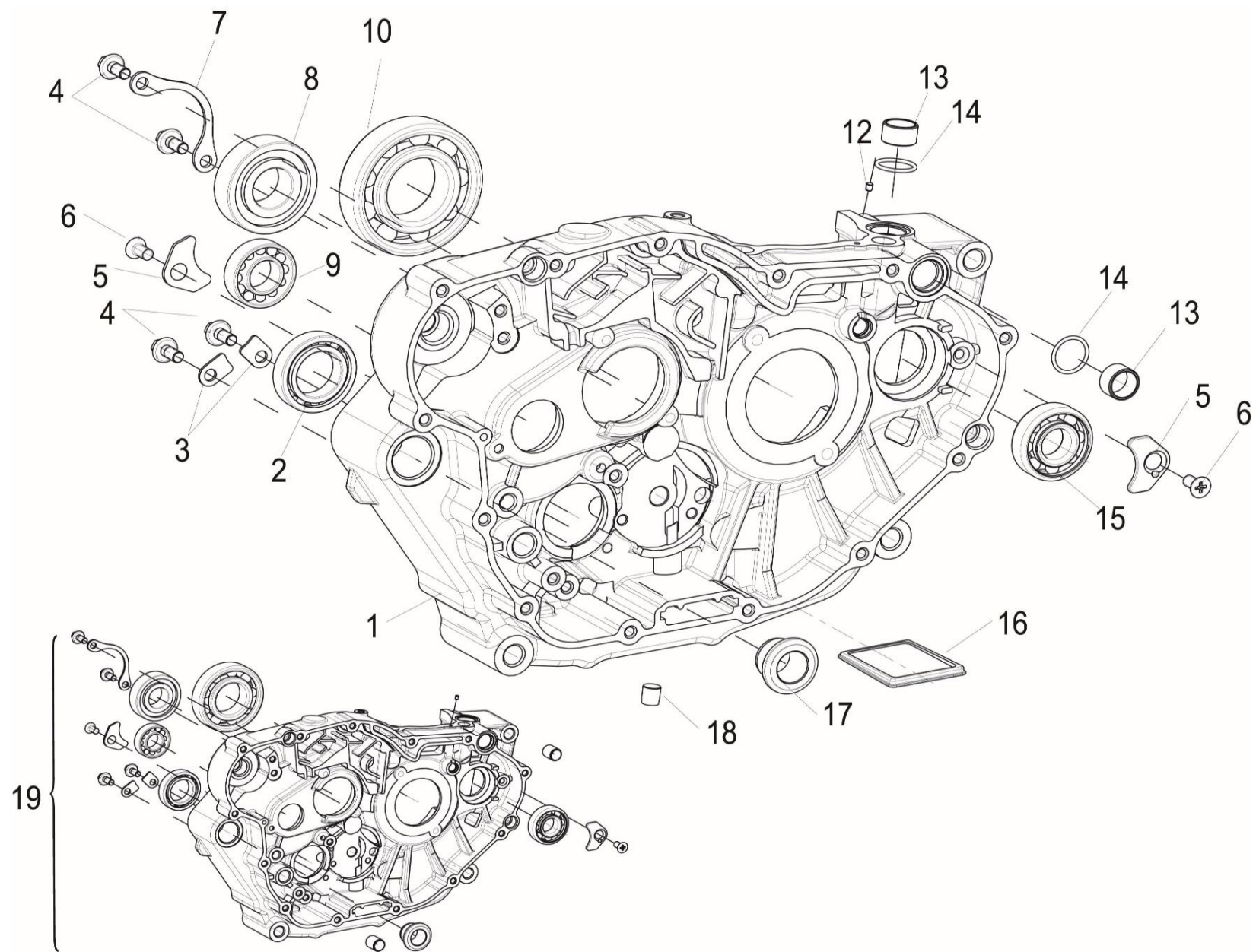
Model	NO.	Position No.	CODE	EN DESCRIPTION	Qty/Unit	REMARK
TNT25	1	E05	B01070603565	BOLT M6X35	1	
TNT25	2	E05	130015150000	RUBBER PLUG	1	
TNT25	3	E05	139015150060	CYLINDER ASSEMBLY	1	
TNT25	4	E05	139025150060	CYLINDER GASKET	1	
TNT25	5	E05	150083070000	DOWEL PIN	1	

E06 LEFT CRANKCASE SUB-ASSY(左曲轴箱分总成)



Model	NO.	Position No.	CODE	EN DESCRIPTION	Qty/Unit	REMARK
TNT25	1	E06	159045150040	LEFT CRANKCASE ASSEMBLY	1	
TNT25	3	E06	B01070606065	BOLT M6X60	6	
TNT25	4	E06	200014130000	COPPER WASHER	1	
TNT25	5	E06	15006305002X	ENGINE OIL DRAIN BOLT	1	
TNT25	6	E06	200001050000	OIL SEAL	2	
TNT25	7	E06	B01070608065	BOLT	3	
TNT25	8	E06	150045150000	BUSH	1	
TNT25	9	E06	B01070601263	BOLT M6X12	1	
TNT25	10	E06	150055150000	SPROCKET COVER	1	
TNT25	11	E06	B01070609565	BOLT M6X95	1	
TNT25	12	E06	B1212K121002	NEEDLE BEARING 12x16x10	1	
TNT25	13	E06	B02010601263	SCREW M6X12	4	
TNT25	14	E06	150035150000	BEARING RETAINER II	4	
TNT25	15	E06	B1210H202001	NEEDLE BEARING 20X32X20	1	
TNT25	16	E06	150124230000	PLUG	1	
TNT25	17	E06	B01070605065	BOLT	1	
TNT25	18	E06	B12016000305	BALL BEARING 6003-RS/P0	1	
TNT25	19	E06	100255150000	DOWEL PIN	2	
TNT25	20	E06	150304230030	BALL BEARING	1	
TNT25	21	E06	B12016622206	BALL BEARING 62/22-RS/C3	1	
TNT25	22	E06	150235150000	OIL SEAL	1	
TNT25	23	E06	159045150050	LEFT CRANKCASE COMP.	1	

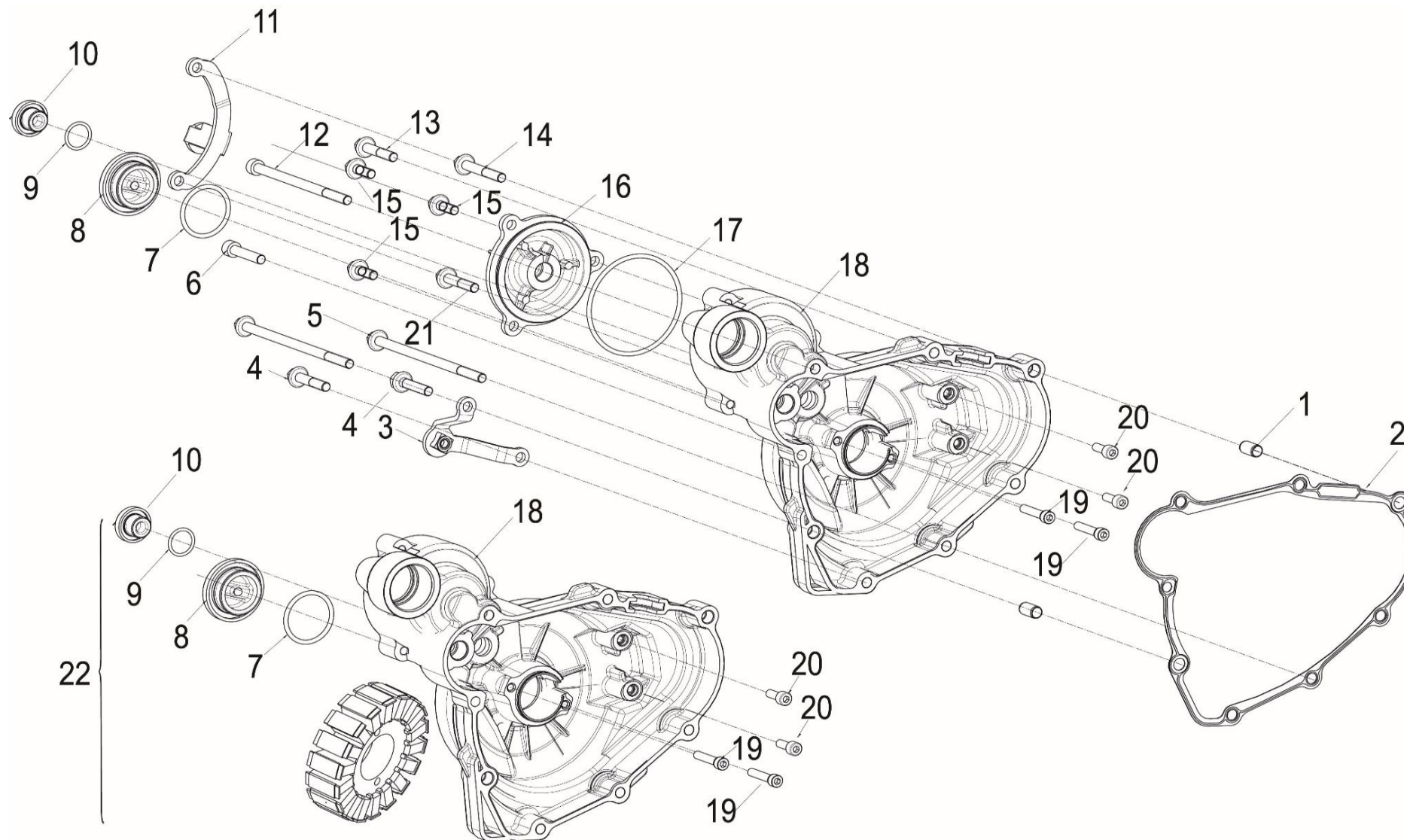
E07 RIGHT CRANKCASE SUB-ASSY(右曲轴箱分总成)





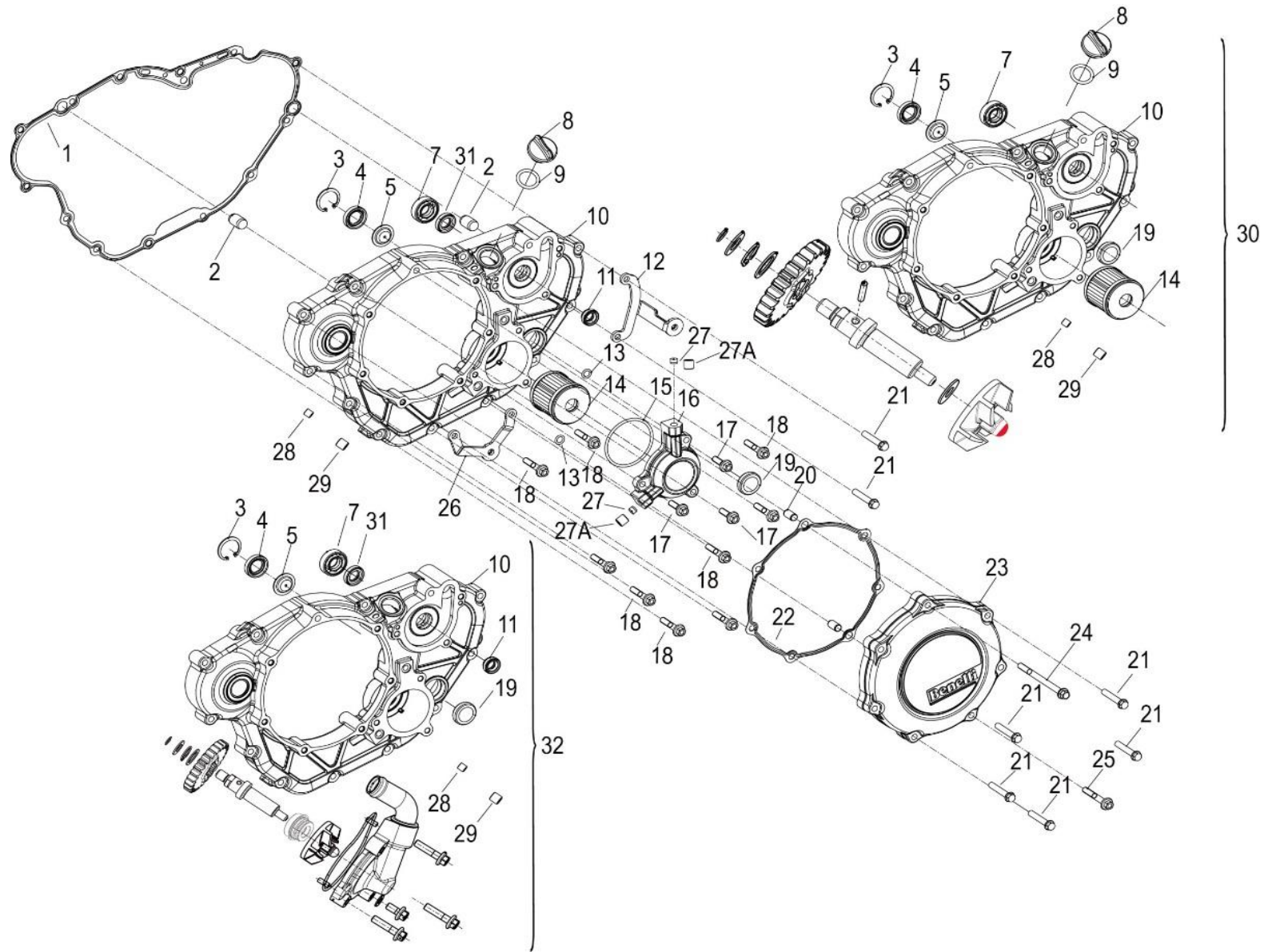
Model	NO.	Position No.	CODE	EN DESCRIPTION	Qty/Unit	REMARK
TNT25	1	E07	159035150020	RIGHT CRANKCASE COMP.	1	
TNT25	2	E07	B12016190503	BEARING 61905/C3	1	
TNT25	3	E07	150135150000	BEARING RETAINER IV	2	
TNT25	4	E07	B01070601263	BOLT M6X12	4	
TNT25	5	E07	150035150000	BEARING RETAINER II	2	
TNT25	6	E07	B02010601263	SCREW M6X12	2	
TNT25	7	E07	150125150000	BEARING RETAINER III	1	
TNT25	8	E07	B12016622202	BEARING 62/22D2/P63	1	
TNT25	9	E07	B12016000303	BALL BEARING 6003/P6	1	
TNT25	10	E07	150304230030	BALL BEARING	1	
TNT25	12	E07	150103300000	PLUG	1	
TNT25	13	E07	150155150000	OIL PASSAGE BUSH	2	
TNT25	14	E07	B190101700A0	O-RING	2	
TNT25	15	E07	B12016020308	BALL BEARING	1	
TNT25	16	E07	150175150000	OIL STRAINER ASSY	1	
TNT25	17	E07	150045150000	BUSH	1	
TNT25	18	E07	100066090000	CONE PLUG M14x1.5x10	1	
TNT25	19	E07	159055150050	RIGHT CRANKCASE assy	1	

E08 LEFT COVER ASSY (左盖分总成)



Model	NO.	Position No.	CODE	EN DESCRIPTION	Qty/Unit	REMARK
TNT25	1	E08	160073070000	DOWEL PIN	2	
TNT25	2	E08	169075150020	LEFT COVER GASKET	1	
TNT25	3	E08	260265150000	LEFT BOTTOM COWLING BRACKET ASSEMBLY II	1	
TNT25	4	E08	B01070603565	BOLT M6X35	2	
TNT25	5	E08	B01070611565	BOLT M6X115	2	
TNT25	6	E08	B02050603065	SCREW M6X30	1	
TNT25	7	E08	B190103000B0	O-RING	1	
TNT25	8	E08	169085150010	CRANKSHAFT END ACCESSING SCREW	1	
TNT25	9	E08	B190101500A0	O-RING	1	
TNT25	10	E08	169165150010	TIMING MARK ACCESSING SCREW	1	
TNT25	11	E08	260255150000	LEFT BOTTOM COWLING BRACKET ASSEMBLY	1	
TNT25	12	E08	B02050610065	SCREW M6X100	1	
TNT25	13	E08	B01070603265	BOLT M6X32	1	
TNT25	14	E08	B01070604565	BOLT M6X45	1	
TNT25	15	E08	B01070601665	BOLT M6X16	3	
TNT25	16	E08	169065150020	ELECTRIC START GEAR CHAMBER COVER	1	
TNT25	17	E08	B190106200B0	O-RING	1	
TNT25	18	E08	169025150020	LEFT COVER	1	
TNT25	19	E08	B02050502563	SCREW M5x25	2	
TNT25	20	E08	B0107050126H	BOLT M5X12	2	
TNT25	21	E08	B01070603565	BOLT M6X35	1	
TNT25	22	E08	169025150040	LEFT COVER COMP.	1	

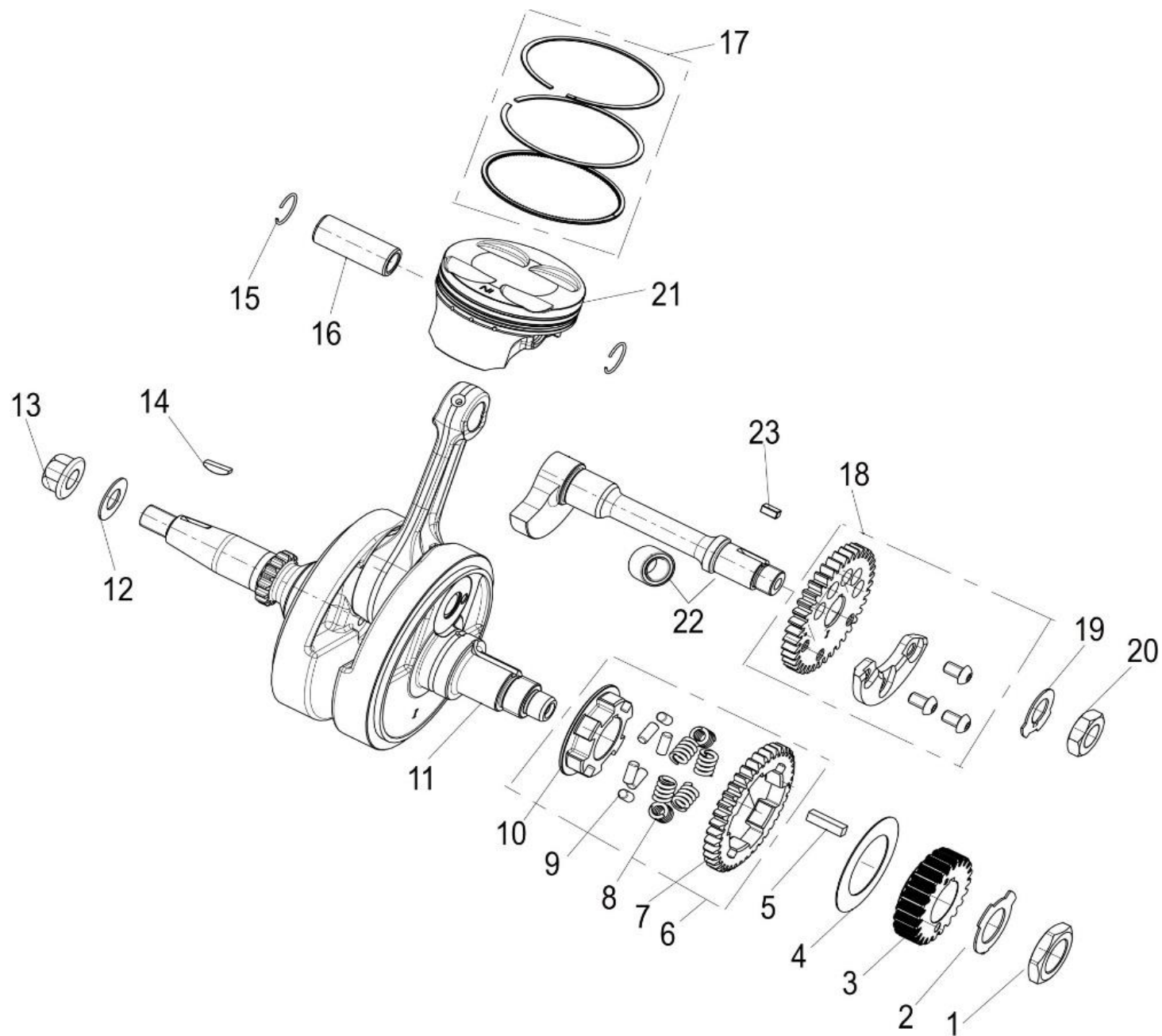
E09 RIGHT COVER ASSY (右盖分总成)



Model	NO.	Position No.	CODE	EN DESCRIPTION	Qty/Unit	REMARK
TNT25	1	E09	169115150020	RIGHT CRANKCASE GASKET	1	
TNT25	2	E09	150042080000	PIN	2	

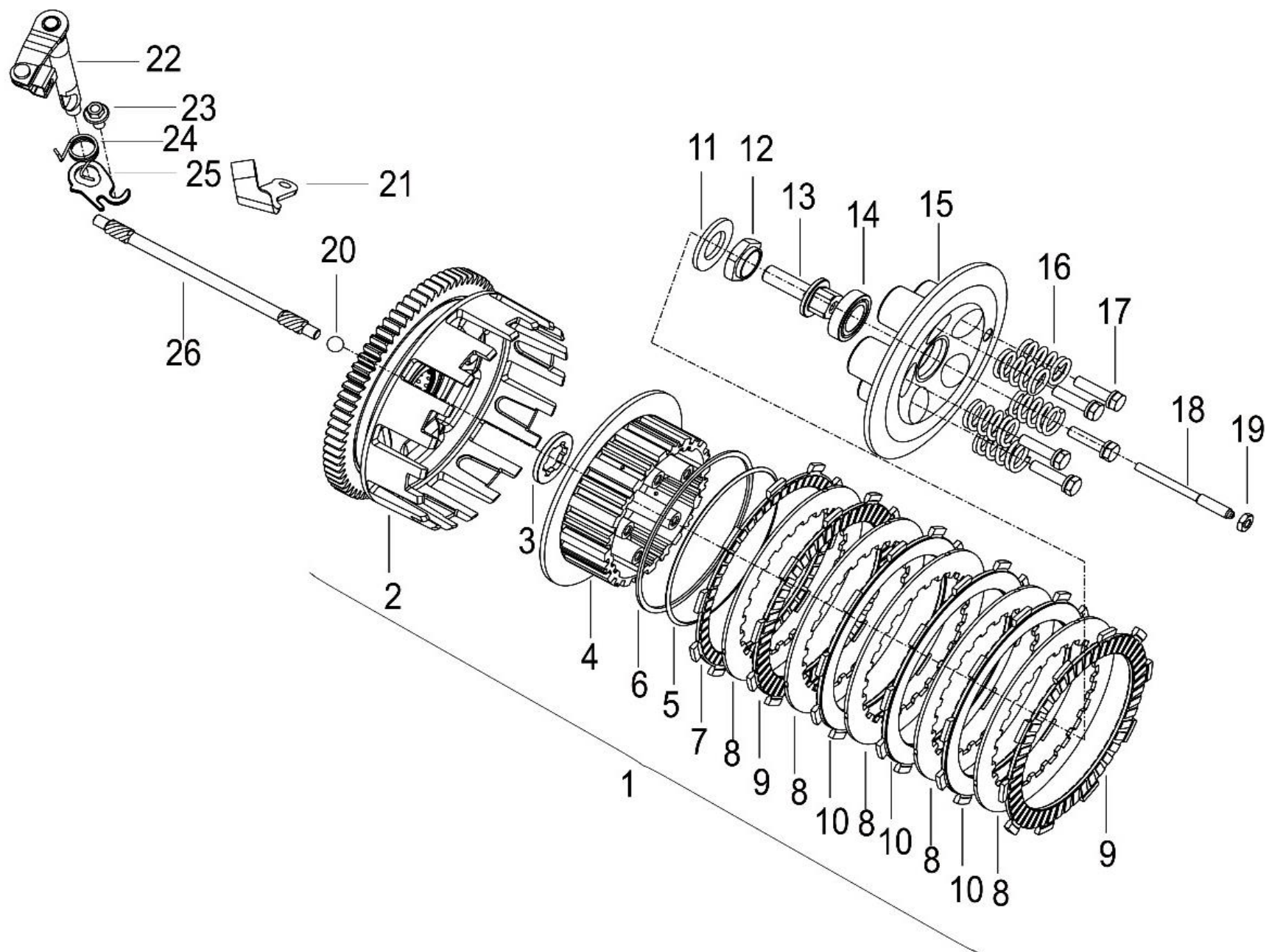
Model	NO.	Position No.	CODE	EN DESCRIPTION	Qty/Unit	REMARK
TNT25	3	E09	B08000002500	CIRCLIPS FOR HOLE	1	
TNT25	4	E09	160015040000	OIL SEAL	1	
TNT25	5	E09	160135150000	OIL-LIMITER PLATE	1	
TNT25	7	E09	B12016000100	BEARING	1	
TNT25	8	E09	160063090070	OIL FILLER PLUG	1	
TNT25	9	E09	160063070000	O-RING	1	
TNT25	10	E09	169105150120	RIGHT COVER	1	
TNT25	11	E09	270031170000	OIL SEAL ASSY	1	
TNT25	12	E09	260305150000	RIGHT BOTTOM COWLING BRACKET ASSEMBLY II	1	
TNT25	13	E09	B190100710A0	O-RING	2	
TNT25	14	E09	160125150010	OIL FILTER	1	
TNT25	15	E09	160095150000	O-RING	1	
TNT25	16	E09	260135150030	OIL FILTER COVER	1	
TNT25	17	E09	B0107060206H	HEXAGON BOLTS WITH FLANGE	3	
TNT25	18	E09	B01070603265	BOLT M6X32	9	
TNT25	19	E09	160083090000	OIL LEVEL INDICATOR	1	
TNT25	20	E09	160073070000	DOWEL PIN	2	
TNT25	21	E09	B01070603565	BOLT M6X35	7	
TNT25	22	E09	169125150020	CLUTCH COVER GASKET	1	
TNT25	23	E09	160085150020	CLUTCH COVER	1	
TNT25	24	E09	B01070608065	BOLT	1	
TNT25	25	E09	B01070604065	BOLT M6X40	1	
TNT25	26	E09	260295150000	RIGHT BOTTOM COWLING BRACKET ASSEMBL	1	
TNT25	27A	E09	150166090000	CONE PLUG M10x1	2	
TNT25	28	E09	150056090100	CONE PLUG M6	1	
TNT25	29	E09	150166090000	CONE PLUG M10x1	1	
TNT25	30	E09	169105150070	RIGHT COVER COMP.	1	
TNT25	31	E09	150025040000	OIL SEAL 12x22x5	1	
TNT25	32	E09	160105150040	RIGHT COVER ASSY.COMP.	1	

E10 CRANK AND CONNECTING ROD PISTON SUB-ASSEMBLY (曲柄连杆活塞分总成)



Model	NO.	Position No.	CODE	EN DESCRIPTION	Qty/Unit	REMARK
TNT25	1	E10	170275150010	HEXAGON NUTS	1	
TNT25	2	E10	170225150000	TAB WASHER	1	
TNT25	3	E10	170035150000	CLUTCH DRIVE GEAR	1	
TNT25	4	E10	170355150000	DISC SPRING	1	
TNT25	5	E10	B11130505020	STRAIGHT KEY	1	
TNT25	6	E10	170235150020	BALANCER GEAR ASSY	1	
TNT25	7	E10	170025150020	BALANCER DRIVE GEAR	1	
TNT25	8	E10	170195150010	DAMPING SPRING	6	
TNT25	9	E10	170205150010	DAMPING BLOCK	6	
TNT25	10	E10	170185150030	BALANCER COLLAR	1	
TNT25	11	E10	179015150030	CRANKSHAFT ASSY	1	
TNT25	12	E10	B07030001203	PLAIN WASHER	1	
TNT25	13	E10	27002305001X	NUT M12x1.25	1	
TNT25	14	E10	260023050000	KEY	1	
TNT25	15	E10	179155050000	PISTON PIN CLIP	2	
TNT25	16	E10	179145150010	PISTON PIN	1	
TNT25	17	E10	170245150000	PISTON RING ASSEMBLY	1	
TNT25	18	E10	170345150000	BALANCER DRIVEN GEAR ASSY	1	
TNT25	19	E10	170055150000	TAB WASHER	1	
TNT25	20	E10	170065150000	HEXAGON THIN NUTS	1	
TNT25	21	E10	179135150020	PISTON	1	
TNT25	22	E10	170365150000	BALANCER SHAFT & NEEDLE BEARING	1	
TNT25	23	E10	B11130404009	STRAIGHT KEY	1	

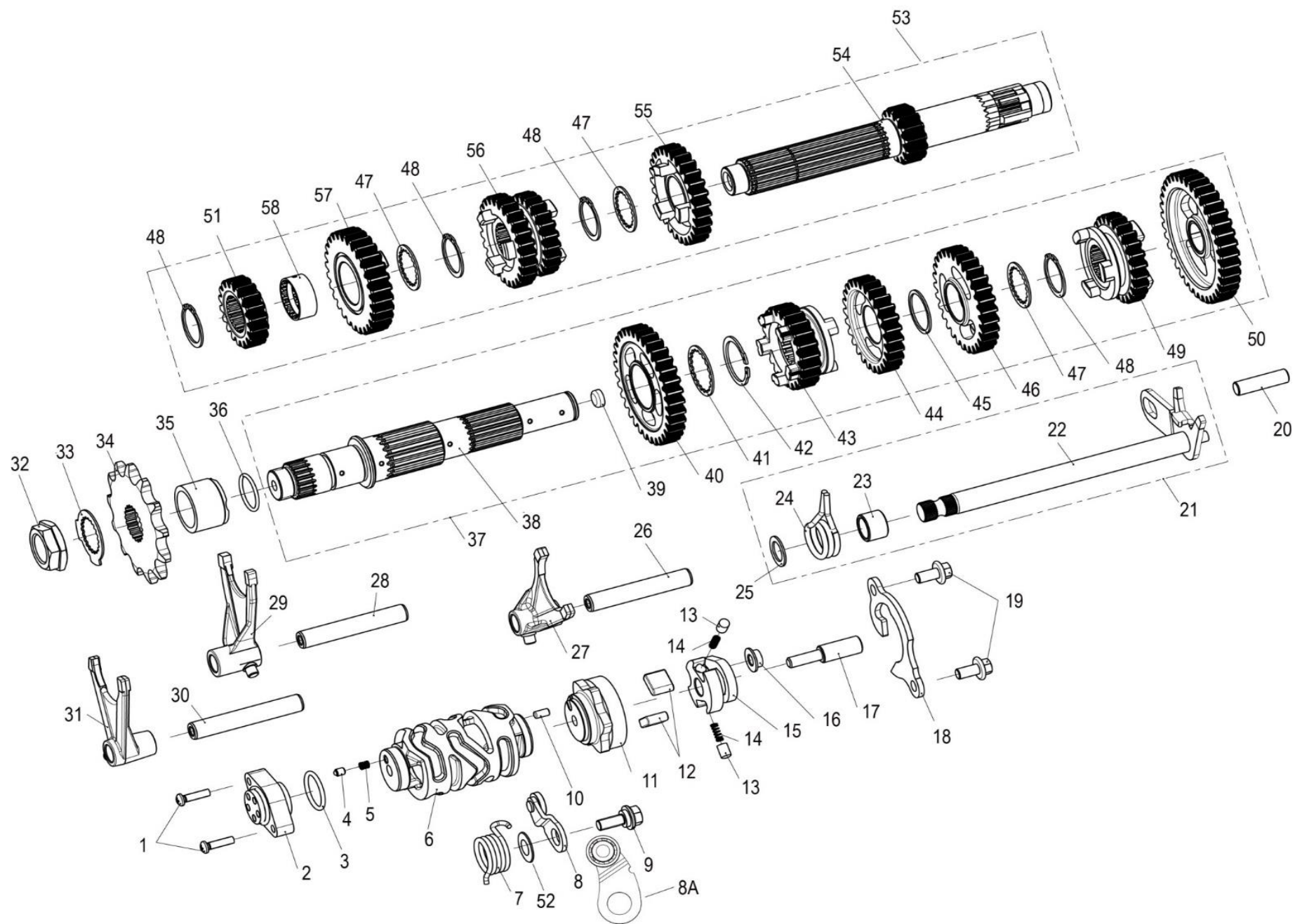
E11 CLUTCH ASSEMBLY (离合器分总成)





Model	NO.	Position No.	CODE	EN DESCRIPTION	Qty/Unit	REMARK
TNT25	1	E11	209255150000	CLUTCH COMPONENTS	1	
TNT25	2	E11	209245150000	CLUTCH HOUSING ASSEMBLY	1	
TNT25	3	E11	200025040000	SPLINED WASHER	1	
TNT25	4	E11	209205150000	CLUTCH HUB	1	
TNT25	5	E11	200236030001	WASHER	2	
TNT25	6	E11	200226030001	CLUTCH DAMPER SPRING	1	
TNT25	7	E11	200375150000	FRICTION PLATE I	1	
TNT25	8	E11	200145150010	CLUTCH PLATE	5	
TNT25	9	E11	200385150000	FRICTION PLATE II	2	
TNT25	10	E11	200135150010	FRICTION PLATE	3	
TNT25	11	E11	200175150000	TAB WASHER	1	
TNT25	12	E11	200315150000	NUT	1	
TNT25	13	E11	200355150000	BEARING SEAT	1	
TNT25	14	E11	B12016190303	BALL BEARING	1	
TNT25	15	E11	200155150000	PRESSURE PLATE	1	
TNT25	16	E11	200165150010	CLUTCH SPRING	5	
TNT25	17	E11	B1331060250N	BOLTS ASSEMBLY	5	
TNT25	18	E11	200365150000	SLOTTED ADJUSTING SCREW	1	
TNT25	19	E11	B0402060000H	NUT	1	
TNT25	20	E11	B06010290000	STEEL BALL	1	
TNT25	21	E11	200305150000	PULL PLATE	1	
TNT25	22	E11	200195150000	CONTROL LEVER ASSEMBLY	1	
TNT25	23	E11	B01070601263	BOLT M6X12	1	
TNT25	24	E11	200225150000	RETURN SPRING	1	
TNT25	25	E11	200235150000	CLUTCH RETURN BAFFLE	1	
TNT25	26	E11	200405150000	PUSH ROD ASSEMBLY	1	

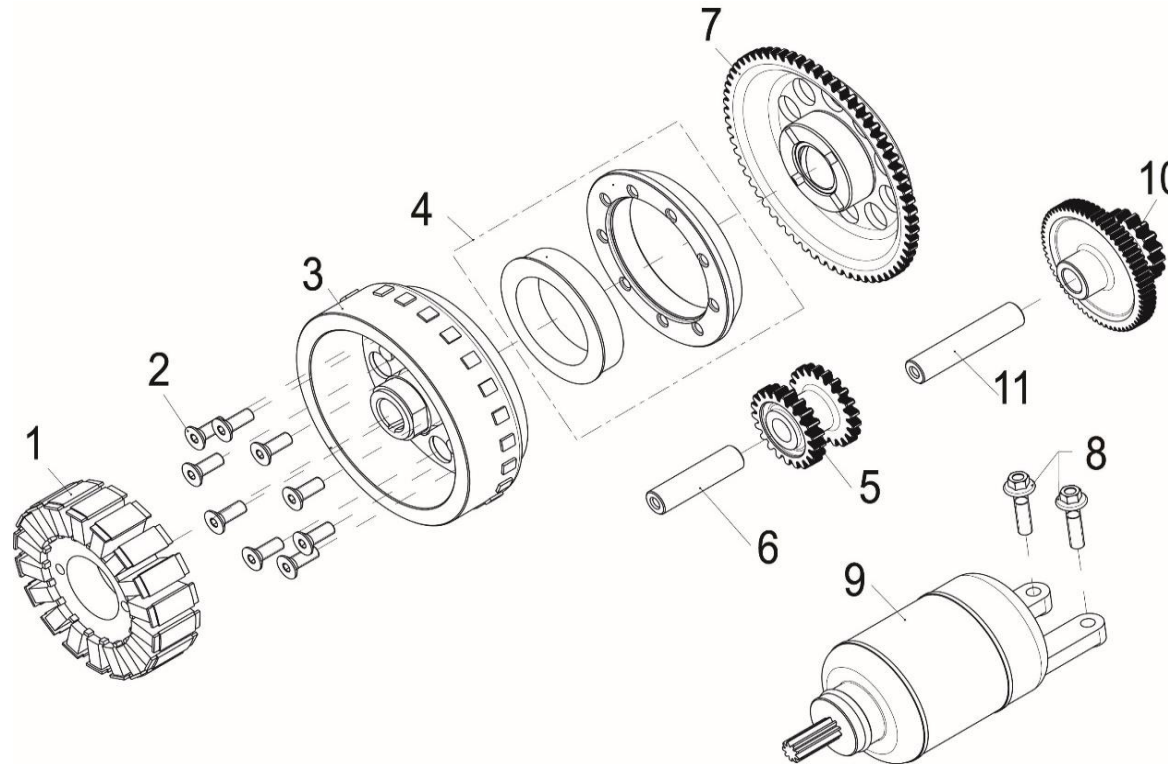
E12 SPEED CONTROL SYSTEM SUB-ASSY (变速系统分总成)



Model	NO.	Position No.	CODE	EN DESCRIPTION	Qty/Unit	REMARK
TNT25	1	E12	B13050401603	SCREW M4x16	2	
TNT25	2	E12	219075150000	GEAR POSITION SENSOR	1	
TNT25	3	E12	210043070000	O-RING	1	
TNT25	4	E12	210343070000	SHIFT PROD	1	
TNT25	5	E12	210383070000	PROD SPRING	1	
TNT25	6	E12	219055150000	SHIFT DRUM	1	
TNT25	7	E12	210415150000	SHIFT SHAFT RETURN SPRING	1	
TNT25	8A	E12	210375150010	SHIFT POSITIONING ROLLER ARM ASSEMBLY	1	
TNT25	9	E12	210395150000	SHIFT POSITIONING ROLLER ARM AXLE	1	
TNT25	10	E12	B091404009A1	PIN 4x9	1	
TNT25	11	E12	210216060000	GEAR SELECTOR DRUM	1	
TNT25	12	E12	210316090000	SEPARATION PIECE	2	
TNT25	13	E12	210326090000	SEPARAYION PIECE PIN	2	
TNT25	14	E12	210475150000	RATCHET SPRING	2	
TNT25	15	E12	210265150000	BLOCL SEPARATION	1	
TNT25	16	E12	210275150000	SEPERATE BASE ROLLAR	1	
TNT25	17	E12	210296090000	GEAR SELECTOR DRUM FIXED PIN	1	
TNT25	18	E12	210305150000	STAR WHEEL PRESS PLATE	1	
TNT25	20	E12	150092080000	DOWEL PIN	1	
TNT25	21	E12	210245150000	SHIFT LEVER ASSEMBLY	1	
TNT25	22	E12	210345150000	SHIFT LEVER WELD ASSEMBLY	1	
TNT25	23	E12	210325150000	BUSH	1	
TNT25	24	E12	210335150000	RETURN SPRING	1	
TNT25	25	E12	260025150000	WASHER 12X18X1	1	
TNT25	26	E12	210185150010	5-SPEED SHIFT FORK SHAFT	1	
TNT25	27	E12	210175150000	5-SPEED SHIFT FORK	1	
TNT25	28	E12	210155150010	MAIN AXLE SHIFT FORK SHAFT	1	
TNT25	29	E12	210145150000	MAIN AXLE SHIFT FORK	1	
TNT25	30	E12	210215150010	6-SPEED SHIFT FORK SHAFT	1	

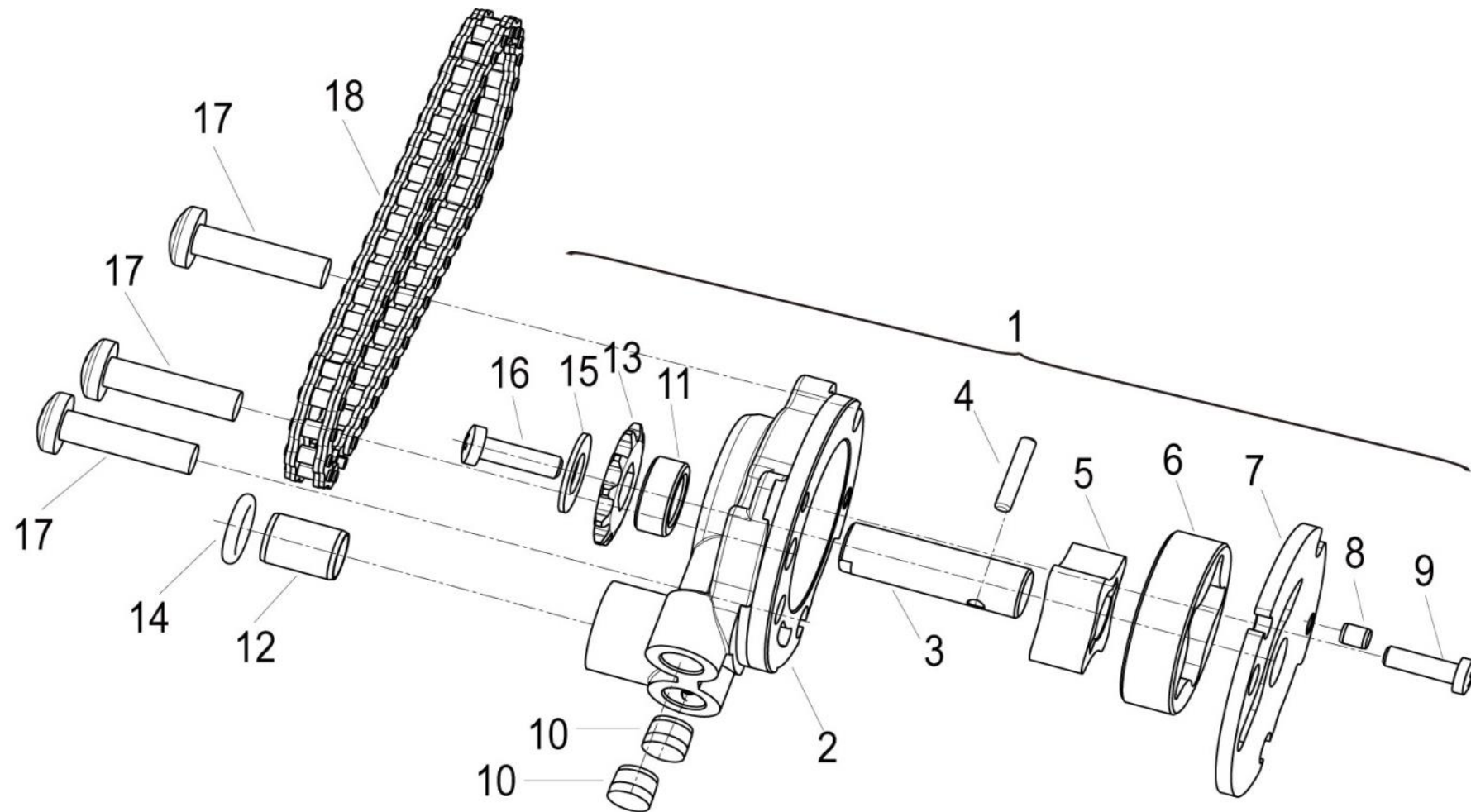
Model	NO.	Position No.	CODE	EN DESCRIPTION	Qty/Unit	REMARK
TNT25	31	E12	210205150010	6-SPEED SHIFT FORK	1	
TNT25	32	E12	210455150000	NUT	1	
TNT25	33	E12	210445150000	SPLINE WASHER	1	
TNT25	33	E12	210445150010	SPLINE WASHER	1	Need to purchase together with 210435150050 (item E12-34)
TNT25	34	E12	210435150050	DRIVE SPROCKET	1	Need to purchase together with 210445150010 (item E12-33)
TNT25	35	E12	210425150000	DRIVE SPROCKET COLLAR	1	
TNT25	36	E12	B190101900A0	O-RING 19x1.8	1	
TNT25	37	E12	219215150010	COUNTERSHAFT ASSY	1	
TNT25	38	E12	219225150000	COUNTERSHAFT	1	
TNT25	39	E12	210115150000	PLUG	1	
TNT25	40	E12	219245150000	COUNTERSHAFT GEAR 2	1	
TNT25	41	E12	210055150000	SPLINE WASHER	1	
TNT25	42	E12	210065150000	CIRCILP FOR SHAFT	1	
TNT25	43	E12	219285150010	COUNTERSHAFT GEAR 6	1	
TNT25	44	E12	219265150000	COUNTERSHAFT GEAR 4	1	
TNT25	45	E12	210125150000	WASHER	1	
TNT25	46	E12	219255150000	COUNTERSHAFT GEAR 3	1	
TNT25	47	E12	210035150000	SPLINE WASHER	3	
TNT25	48	E12	210045150000	CIRCILP FOR SHAFT	4	
TNT25	49	E12	219275150000	COUNTERSHAFT GEAR 5	1	
TNT25	50	E12	210095150000	COUNTERSHAFT GEAR 1 ASSY	1	
TNT25	51	E12	219165150000	PRINCIPALSHAFT GEAR 2	1	
TNT25	52	E12	219494320000	WASHER	1	
TNT25	53	E12	219315150000	PRIMARY SHAFT ASSY	1	
TNT25	54	E12	219305150000	PRIMARY SHAFT	1	
TNT25	55	E12	219195150000	PRINCIPALSHAFT GEAR 5	1	
TNT25	56	E12	210025150000	PRINCIPALSHAFT GEAR 3-4	1	
TNT25	57	E12	219205150000	PRINCIPALSHAFT GEAR 6	1	
TNT25	58	E12	210015150000	SPLINE COLLAR	1	

E13 ELECTRIC STARTER ASSY(电启动分总成)



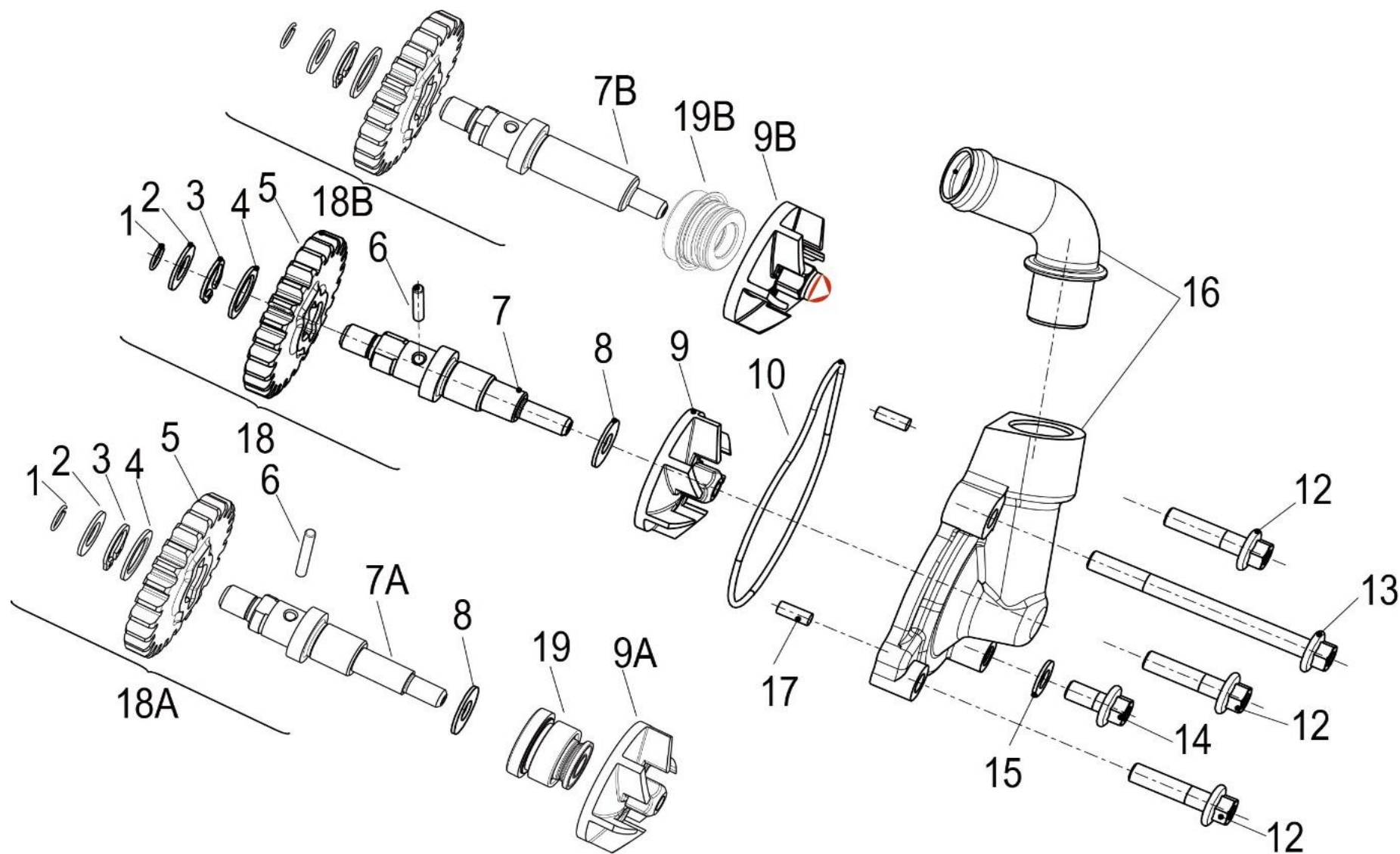
Model	NO.	Position No.	CODE	EN DESCRIPTION	Qty/Unit	REMARK
TNT25	1	E13	299035150020	STATOR COIL ASSY	1	
TNT25	2	E13	B0217060168H	BOLT M6×16	9	
TNT25	3	E13	29902515002X	FLY WHEEL ASSY	1	
TNT25	4	E13	249105150000	STARTER CLUTCH ASSY	1	
TNT25	5	E13	249045150000	STARTER IDLE GEAR	1	
TNT25	6	E13	249055150000	STARTER IDLE GEAR SHAFT	1	
TNT25	7	E13	240265150000	STARTER CLUTCH DRIVE GEAR	1	
TNT25	8	E13	B01070602565	TENSIONER MOUNTING BOLT	2	
TNT25	9	E13	249015150030	STARTER MOTOR ASSY	1	
TNT25	10	E13	240035150000	STARTING MOTOR GEAR	1	
TNT25	11	E13	240045150000	STARTING MOTOR GEAR SHAFT	1	

E14 OIL PUMP ASSY.



Model	NO.	Position No.	CODE	EN DESCRIPTION	Qty/Unit	REMARK
TNT25	1	E14	269245150000	OIL PUMP ASSEMBLY	1	
TNT25	2	E14	269095150001	OIL PUMP BODY	1	
TNT25	3	E14	269235150000	OIL PUMP SHAFT	1	
TNT25	4	E14	B090103016B0	PIN 3X16	1	
TNT25	5	E14	260115150001	INNER ROTOR	1	
TNT25	6	E14	260105150000	OUTER ROTOR	1	
TNT25	7	E14	269105150000	OIL PUMP COVER	1	
TNT25	8	E14	B090104005A0	PIN	1	
TNT25	9	E14	B02040401023	SMALL PAN HEAD SCREWS WITH CROSS RECESS M4x10	1	
TNT25	10	E14	260195150000	PLUG	2	
TNT25	11	E14	269215150000	COLLAR	1	
TNT25	12	E14	150083070000	DOWEL PIN	1	
TNT25	13	E14	269225150000	OIL PUMP DRIVEN SPROCKET	1	
TNT25	14	E14	260113070000	O-RING	1	
TNT25	15	E14	260053300000	WASHER	1	
TNT25	16	E14	B02000501063	PAN HEAD SCREWS WITH CROSS RECESS M5x10	1	
TNT25	17	E14	B02040602563	SCREW M6x25	3	
TNT25	18	E14	269205150000	OIL PUMP DRIVE CHAIN	1	

E15 COOLING SYSTEM ASSY (冷却系统分总成)





Model	NO.	Position No.	CODE	EN DESCRIPTION	Qty/Unit	REMARK
TNT25	1	E15	B08060000801	CIRCLIP	1	
TNT25	2	E15	260135050000	WASHER	1	
TNT25	3	E15	B08010001201	CIRCLIPS FOR SHAF Φ12	1	
TNT25	4	E15	270065150000	WASHER	1	
TNT25	5	E15	270025150000	WATER PUMP PLASTIC SPROCKET	1	
TNT25	6	E15	B090103022B0	PIN B3x22	1	
TNT25	7B	E15	279225150020	IMPELLER SHAFT	1	
TNT25	8	E15	270045150000	WASHER	1	Stop Supply
TNT25	9B	E15	279215150020	IMPELLER	1	
TNT25	10	E15	270055150000	WATER PUMP SEAL	1	
TNT25	12	E15	B01070602565	TENSIONER MOUNTING BOLT	3	
TNT25	13	E15	B01070608065	BOLT M6x80	1	
TNT25	14	E15	B01070601263	BOLT M6X12	1	
TNT25	15	E15	130013050000	WASHER	1	
TNT25	16	E15	279335150020	WATER PUMP COVER	1	
TNT25	17	E15	B091404010B0	PIN	2	
TNT25	18B	E15	279235150030	IMPELLER SHAFT ASSY	1	
TNT25	19B	E15	270216030000	EKK SEAL COMPONENTS	1	