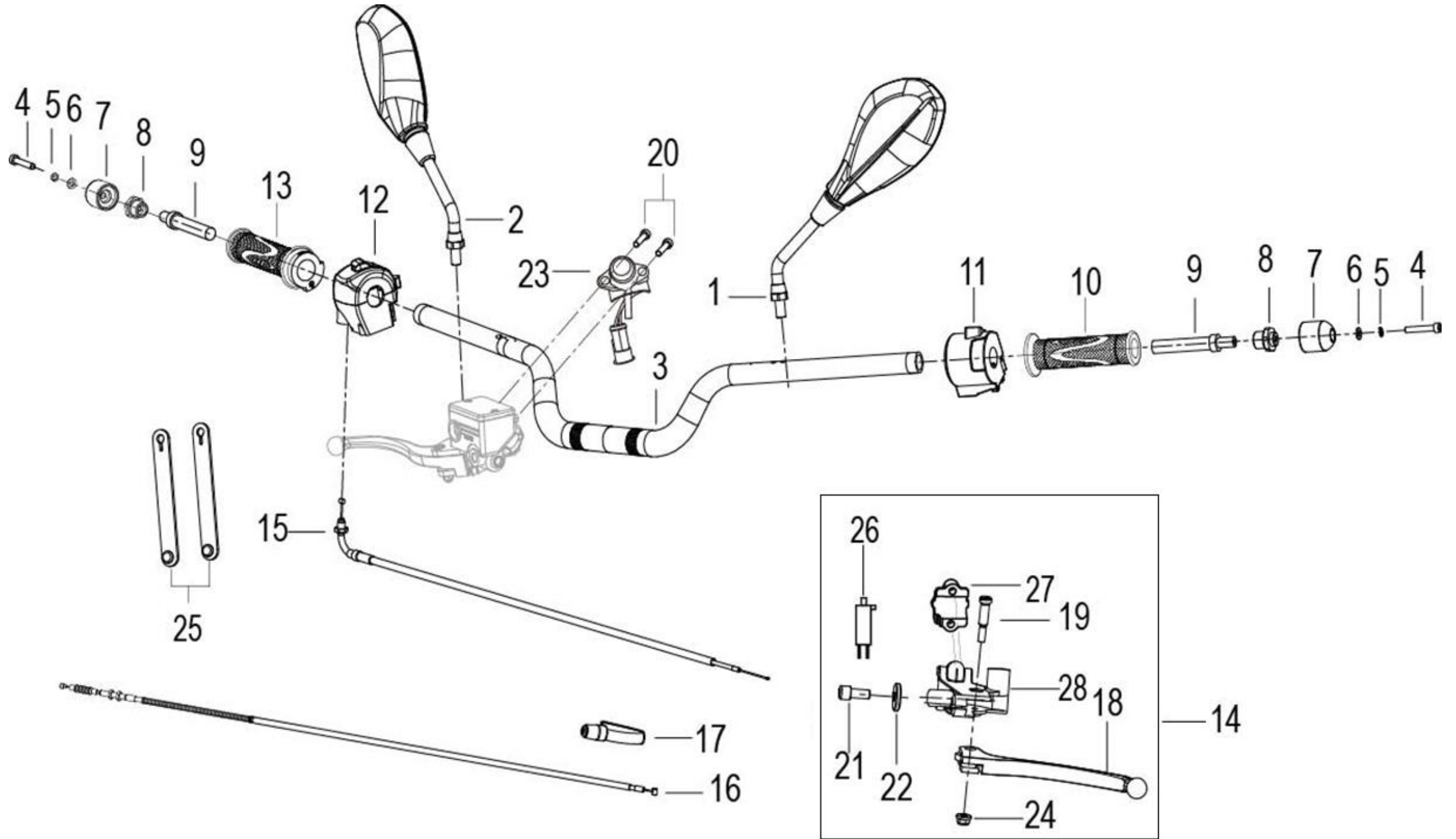
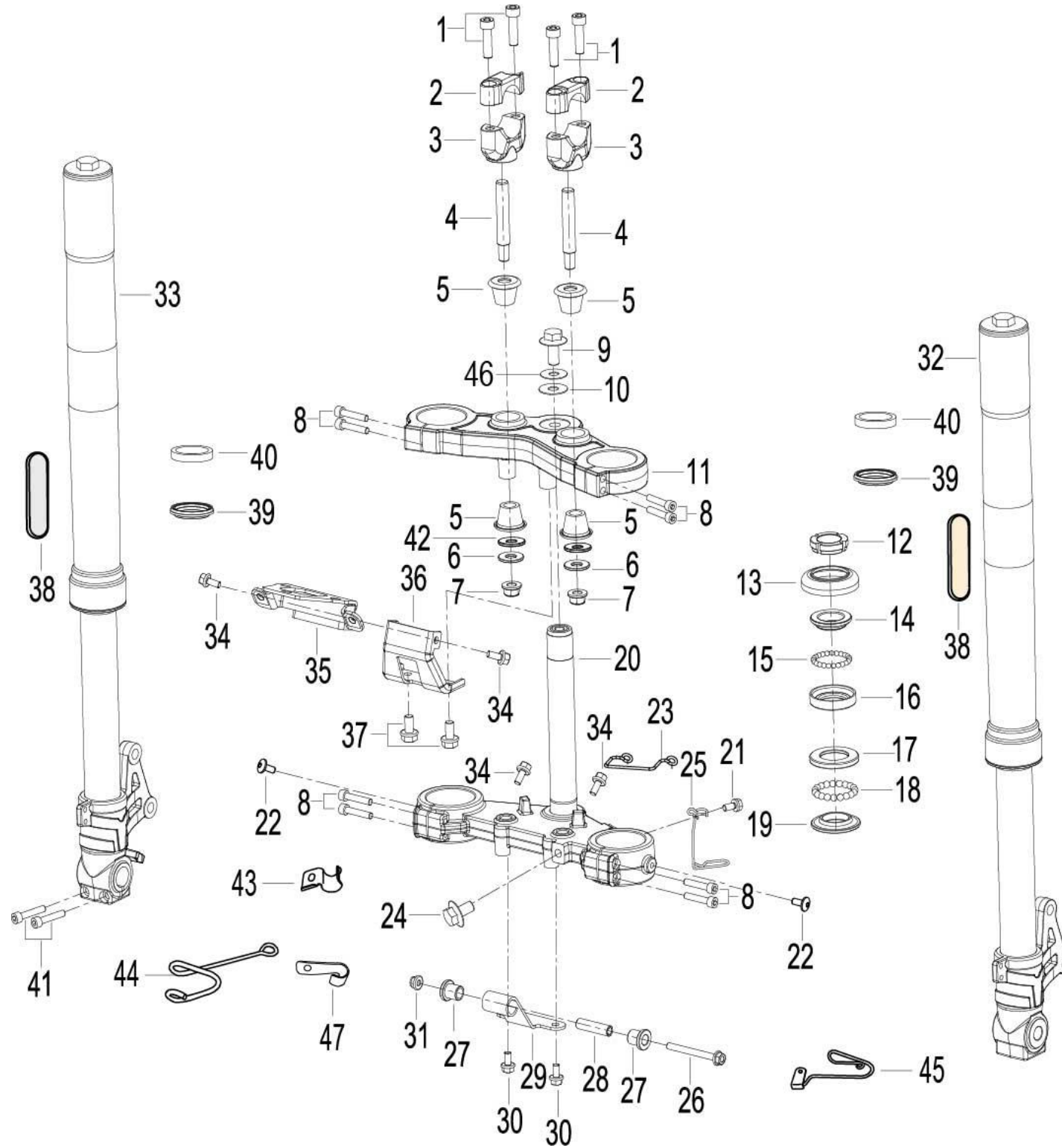


F01 操纵 CONTROL ASSY.



NO.	CODE	CN DESCRIPTION	EN DESCRIPTION	QTY	REMARKS
F01-01	40450U210001	左后视镜组件	LR VIEW MIRROR ASSY	1	
F01-02	40480U210001	右后视镜组件	RR VIEW MIRROR ASSY	1	
F01-03	40101L430000	方向把	HANDLE BAR ASSY	1	
F01-04	B0205060356H	内六角螺钉M6×35	SCREW M6×35	2	
F01-05	B0703000060H	垫圈Φ6	WASHER 6	2	
F01-06	B0700000060H	弹簧垫圈Φ6	SPRING WASHER 6	2	
F01-07	40031P250000	平衡块	GRIP END	2	
F01-08	40032P250000	平衡块安装座	BALANCE PIECE INSTALLED A	2	
F01-09	40031S010000	平衡块	BALANCER	2	
F01-10	40001K740000	左方向把套	LEFT HANDLEBAR GRIP	1	
F01-11	40500L210002	左组合开关	LEFT HANDLEBAR SWITCH	1	
F01-12	40600L210004	右组合开关	RIGHT HANDLEBAR SWITCH	1	
F01-13	40210K740000	右握把组件	RIGHT HANDLEBAR GRIP	1	
F01-14	40080J04006Z	左手柄组件	CLUTCH LEVER ASSY	1	
F01-15	40300N290000	油门线组件	THROTTLE CABLE ASSY	1	
F01-16	40400L430000	离合器线组件	CLUTCH CABLE ASSY	1	
F01-17	40017J010000	离合器线护套	CLUTCH CABLE RUBBER COVER	1	
F01-18	40084J040006	左手柄	CLUTCH LEVER	1	
F01-19	40083K010000	手柄固定螺栓	MOUNTING BOLT,HANDLE	1	
F01-20	B0205060306H	螺钉M6×30	SCREW M6×30	2	
F01-21	45083K010000	调节螺管	SPIRALTUBE,ADJUSTING	1	
F01-22	55064K010000	开槽螺母	NUT	1	
F01-23	70190L430000	仪表调节开关总成(右)	SPEEDOMETER ADJUST SWITCH	1	
F01-24	B0417060004H	螺母M6	NUT M6	1	
F01-25	49371T620000	截止阀软线夹	CLIP,RUBBER	5	
F01-26	91090K010000	离合器开关	SWITCH, CLUTCH	1	
F01-27	40085J040006	底座(固定盖)	BRAKE MASTER CYLINDER HOLDER	1	
F01-28	40081J040000	前盖(左后视镜座)	MIRROR SEAT,RR.VIEW,L	1	

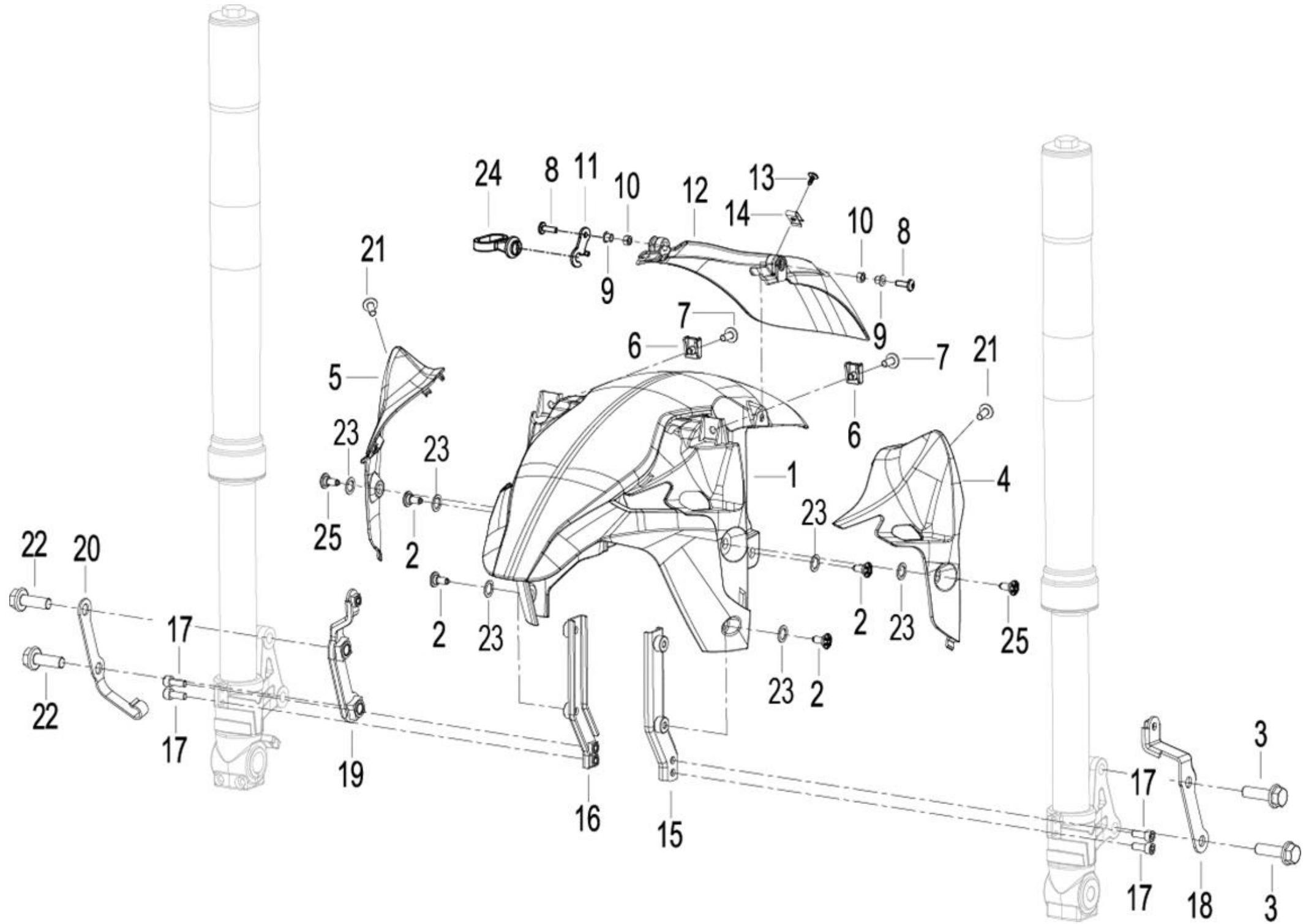
F02 前叉I FORK ASSY.



NO.	CODE	CN DESCRIPTION	EN DESCRIPTION	QTY	REMARKS
F02-01	B0205080256K	内六角螺钉M8×25	SCREW M8×25	4	
F02-02	43013P010000	上把手定位器	UPPER HANDLEBAR HOLDER	2	for vin before LBBU32016KBA63976
F02-02	43013P010001	上把手定位器	UPPER HANDLEBAR HOLDER	2	start vin LBBU32016KBA63976
F02-03	43014P010000	下把手定位器	LOWER HANDLEBAR HOLDER	2	
F02-04	40086P010002	把手定位双头螺柱	HANDLE POSITIONING STUD	2	
F02-05	47015P010010	消音塞	DAMPER	4	
F02-06	40089P010100	把手定位垫片φ10.2×φ24	HANDLEBAR DOWEL WASHER φ10.2×φ24.9×2.5	2	
F02-07	B0417101254H	自锁螺母M10×1.25	SELF-LOCKING NUT M10×1.25	2	
F02-08	08002K670000	内六角螺钉M6×30	SCREW M6×30	8	
F02-09	43049J000000	螺栓M10×1.25×23	BOLT STEM FIXING M10×1.25×23	1	
F02-09	43049J050041	螺栓M10×1.25×33	BOLT STEM FIXING M10×1.25×33	1	start from 2020
F02-10	43044K230000	上垫圈	WASHER	1	
F02-11	43011L430000	上联板	UPPER BRACKET	1	
F02-12	43008L430000	锁紧螺母	LOCK NUT	1	
F02-13	43005G130000	上部转向防尘罩	DUST COVER	1	
F02-14	43001G130000	上轴承上钢碗	RACE,UPPER BEARING,UPPER	1	
F02-15	96211-06000	钢珠 3/16"	STEEL BALL 3/16"	22	
F02-16	43002G130000	上轴承下钢碗	RACE,UPPER BEARING,LOWER	1	
F02-17	43003N040000	下轴承上钢碗	RACE,UPPER,BOTTOM BEARING	1	
F02-18	B06010200000	钢珠1/4英寸	STEEL BALL 1/4"	18	
F02-19	43004J000000	下轴承下钢碗	RACE,LOWER,BOTTOM BEARING	1	
F02-20	43100J800020	下联板组件	CROWN	1	
F02-21	B0109060126H	螺栓M6×12	BOLT M6×12	1	
F02-22	B02830600862	螺栓M6×8	BOLT M8×8	2	
F02-23	43035J300000	电缆线线夹	CLIP	1	
F02-24	B0109100166H	螺栓M10×16	BOLT M10×16	1	
F02-25	43035J800000	液刹线夹	CLIP	1	
F02-26	B0109060606K	螺栓M6×60	BOLT M6×60	1	
F02-27	08524P250000	大灯缓冲套	HEADLIGHT BUFFER SETS	2	
F02-28	08523P250010	大灯下安装隔套	HEADLIGHT INSTALL SPACER	1	
F02-29	08333L430000	大灯下安装板	HEADLIGHT FIXING PLATE	1	

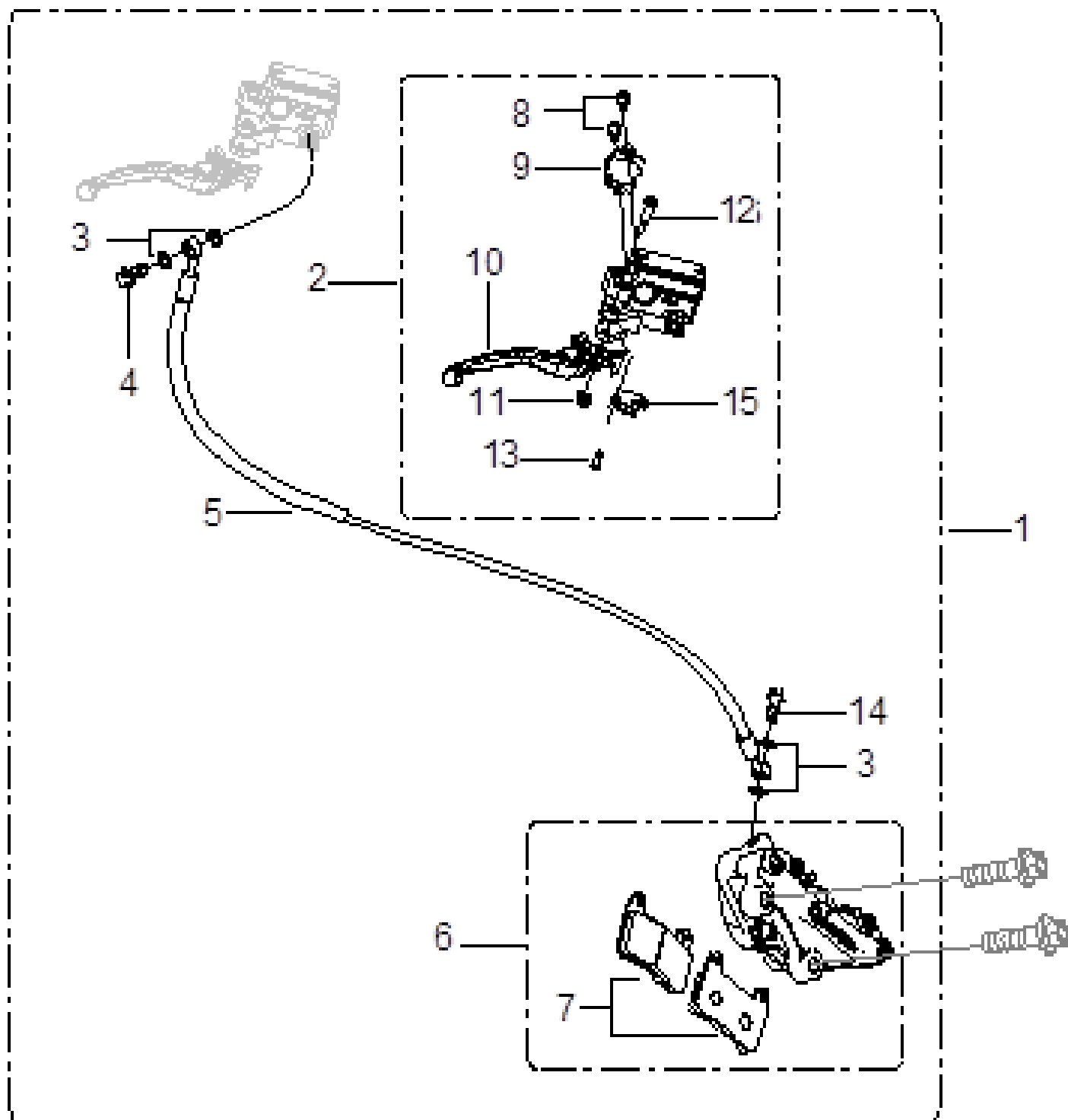
NO.	CODE	CN DESCRIPTION	EN DESCRIPTION	QTY	REMARKS
F02-30	B01090601665	螺栓M6×16	BOLT M6×16	2	
F02-31	B0407060005H	螺母M6	NUT M6	1	
F02-32	43200L430000	前左减震器组件	FRONT LEFT SHOCK ABSORBER ASSY.	1	
F02-33	43300L430000	前右减震器组件	FRONT RIGHT SHOCK ABSORBER ASSY.	1	
F02-34	B0109060126H	螺栓M6×12	BOLT M6×12	4	
F02-35	08330L430000	大灯支架组件	HEADLIGHT BRACKET	1	
F02-36	58780L430000	大灯支架安装座	HEADLIGHT MOUNTING BRACKET	1	
F02-37	B0109080126H	螺栓M8×12	BOLT M8×12	2	
F02-38	86200L420000	前侧反射体	FRONT SIDE REFLECTOR	2	
F02-39	43290D010000	前减震防尘圈	DUST SEAL	2	
F02-40	43260K990000	前减震油封	OIL SEAL	2	
F02-41	B0205060256H	内六角螺钉M6×25	SCREW M6×25	2	
F02-42	08021P250000	单撑安装垫圈	WASHER	2	
F02-43	43035J820100	液刹管线夹(黑色)	HOLDER, BRAKE HOSE,BLACK	1	start vin LBBU32019LBB76998
F02-44	45351T430000	液刹油管钢丝线夹	STEEL CLIP	1	start vin LBBU32019LBB76998
F02-45	45350L430000	液刹管线夹组件	WIRE CLIP	1	start vin LBBU32019LBB76998
F02-46	08021K020010	垫圈	WASHER	1	start from 2020
F02-47	43035L430000	液刹线夹	BRAKE CABLE CLIP	1	start from 2020

F03 前挡泥板 FRONT FENDER



NO.	CODE	CN DESCRIPTION	EN DESCRIPTION	QTY	REMARKS
F03-01	65101L29033Z	前挡泥板(晶彩绿U6)带贴花	FRONT FENDER, GREEN U6, WITH STICKER	1	
F03-01	65101L29034Z	前挡泥板(艳红2#RB)带贴花	FRONT FENDER, RED RB, WITH STICKER	1	
F03-01	65101L29035Z	前挡泥板(闪光黑N4)带贴花	FRONT FENDER, BLACK N4, WITH STICKER	1	
F03-02	B0284060150A	螺钉M6×15.2	SCREW M6×15.2	6	
F03-03	B01591004065	螺栓M10×1.25×40	BOLT M10×1.25×40	2	
F03-04	65108L290000	前泥板左装饰板	LEFT DECORATIVE BOARD	1	
F03-05	65116L290000	前泥板右装饰板	RIGHT DECORATIVE BOARD	1	
F03-06	65625J560000	卡片螺母M6	CLIP NUT M6	2	
F03-07	B0283060146H	螺钉M6×14	SCREW M6×14	2	
F03-08	08012P160000	不锈钢螺栓M5×16	BOLT M5×16	2	
F03-09	65105S040000	T型衬套5×7×6×10×0.8	T BUSH 5×7×6×10×0.8	2	
F03-10	B0400050005H	螺母M5	NUT M5	2	
F03-11	65175L430000	里程表线夹安装板	SPEEDOMETER GEAR WIRE FIXING PLATE	1	
F03-12	65102P250000	前小挡泥板	LITTLE FENDER BEFORE	1	
F03-13	B0507420130H	自攻螺钉ST4.2×13	TAPPING SCREW ST4.2×13	1	
F03-14	65801T850100	卡片ST4.2	INSERT ST4.2	1	
F03-15	65130L290000	前泥板左支架I组件	FRONT FENDER LEFT BRACKET I	1	
F03-16	65140L290000	前泥板右支架I组件	FRONT FENDER RIGHTT BRACKET I	1	
F03-17	08001K670000	内六角螺钉M6×16	SCREW M6×16	4	
F03-18	65150J800200	前泥板左支架II组件	FRONT FENDER LEFT BRACKET II	1	
F03-19	65160J800200	前泥板右支架II组件	FRONT FENDER RIGHTT BRACKET II	1	
F03-20	43057K670000	里程表线夹	CLIP	1	
F03-21	B0283060146H	螺钉M6×14	SCREW M6×14	2	
F03-22	B0159100306H	螺栓M10×1.25×30	BOLT M10×1.25×30	2	
F03-24	65113J000000	保持圈	RUBBER RING	1	
F03-25	08001N210000	护板螺钉M6×17	SCREW M6×17	2	

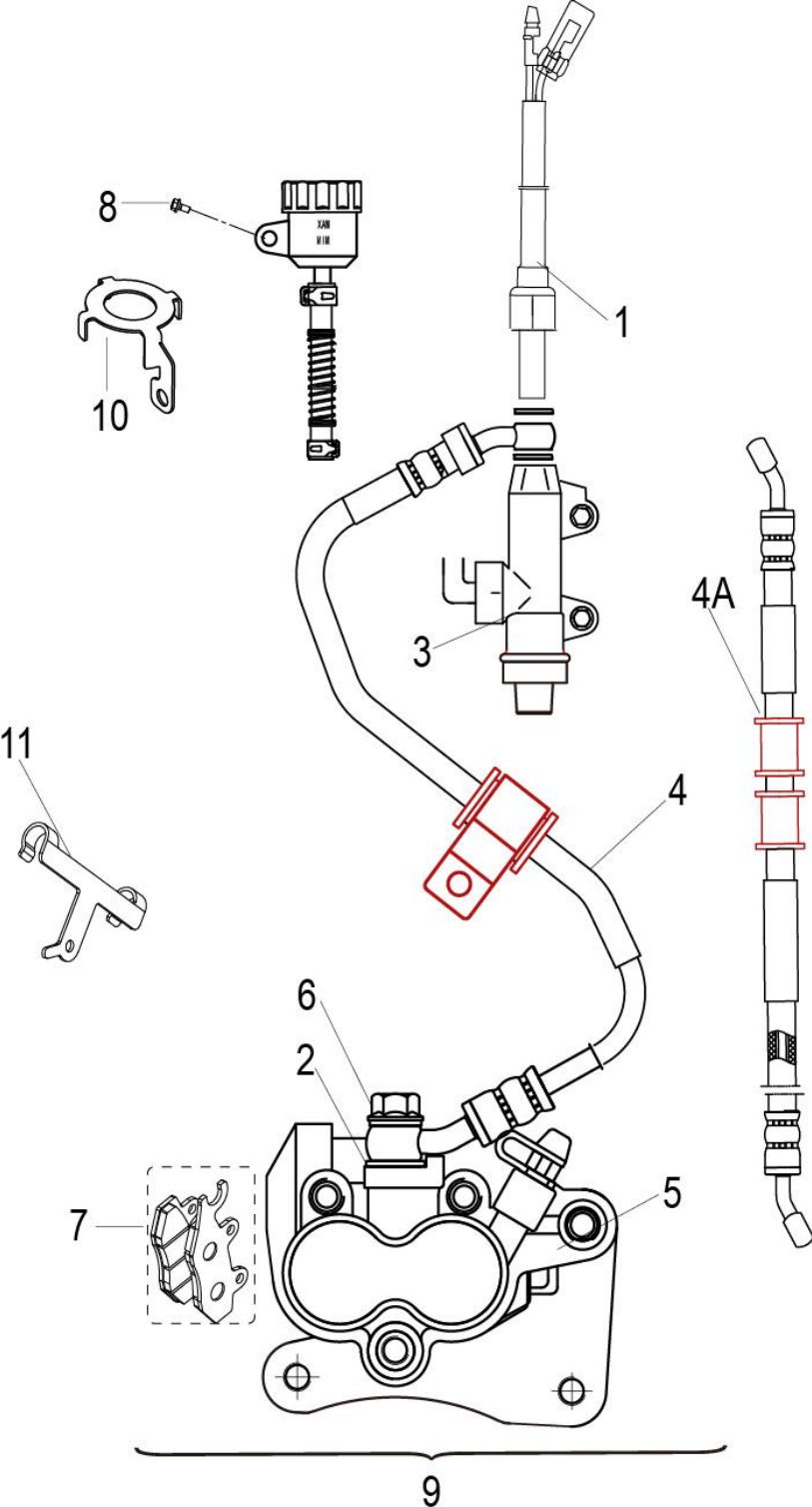
F04\_1 前液刹总成 FRONT BRAKE





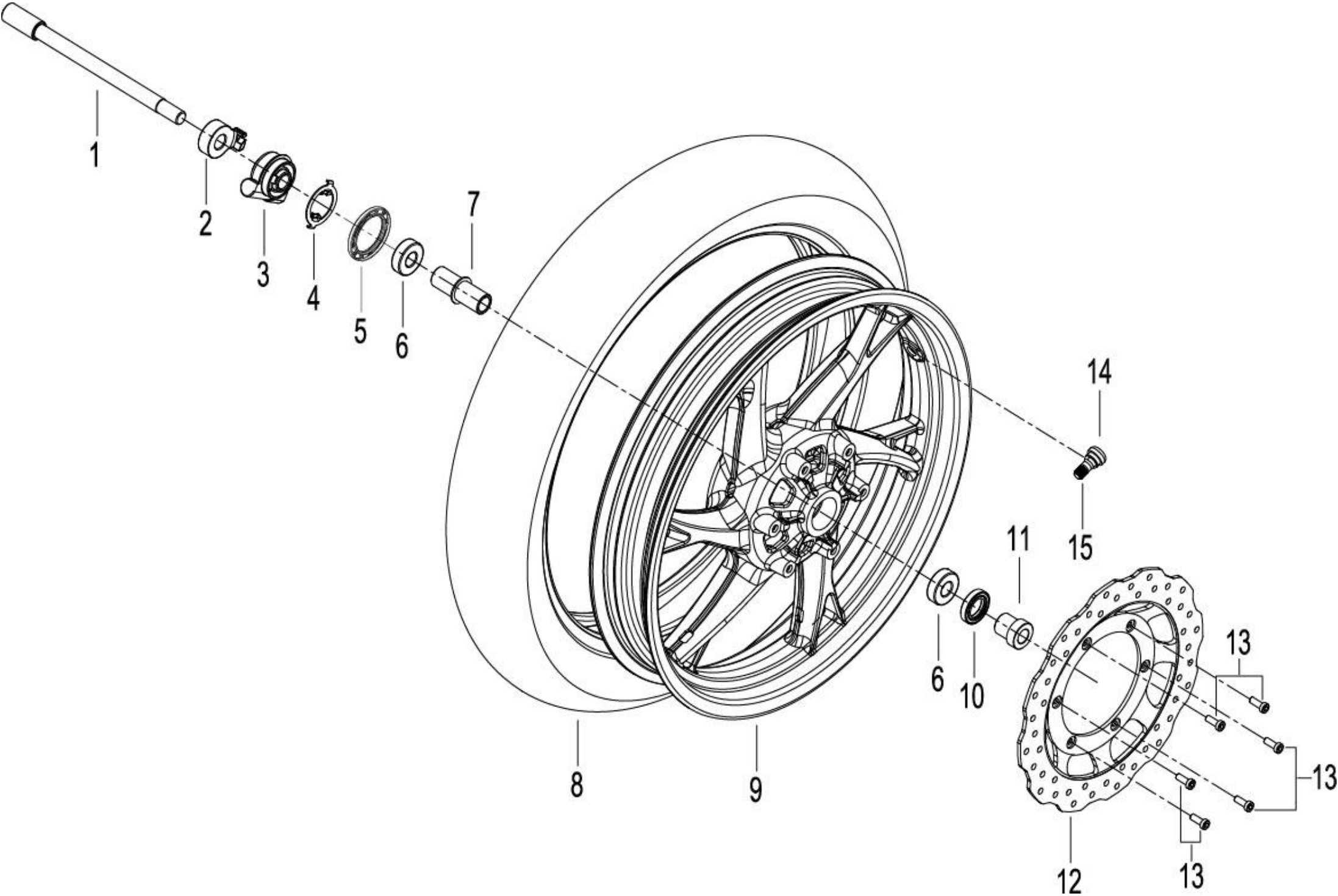
NO.	CODE	CN DESCRIPTION	EN DESCRIPTION	QTY	REMARKS
F04_1-01	45900J800216	前液刹组件	FRONT DISC BRAKE ASSY	1	
F04_1-02	45400J800001	油泵体组件	OIL PUMP ASSY.	1	
F04_1-03	45180J000000	垫圈	WASHER	4	
F04_1-04	45037J000000	油管安装螺栓	BRAKE HOSE BANJO BOLT	1	
F04_1-05	45200J800004	前制动软管总成	FR. BRAKE HOSE	1	
F04_1-06	45500J800001	前制动缸组件(红色无字)	FRONT CALIPER ASSY.RED,WITHOUT MARK	1	
F04_1-07	45120J800000	摩擦片组件	BRAKE PAD ASSY.	2	
F04_1-08	B02810602562	螺钉M6×25-8.8-ZG	SCREW M6×25	2	
F04_1-09	45023K010000	固定盖	COVER, FIX	1	
F04_1-10	45020J800000	液刹手柄组件(黑色)	FRONT BRAKE LEVER	1	
F04_1-11	B04170600055	螺母M6	NUT M6	1	
F04_1-12	45076K010010	手柄固定螺栓	BRAKE LEVER PIVOT BOLT	1	
F04_1-13	B02010401225	螺钉M4×12	SCREW M4×12	1	
F04_1-14	45037P300000	油管安装螺栓	BRAKE HOSE BANJO BOLT	1	
F04_1-15	45300J000010	制动开关组件	BRAKE SWITCH	1	

F04\_2 后液刹总成 REAR BRAKE



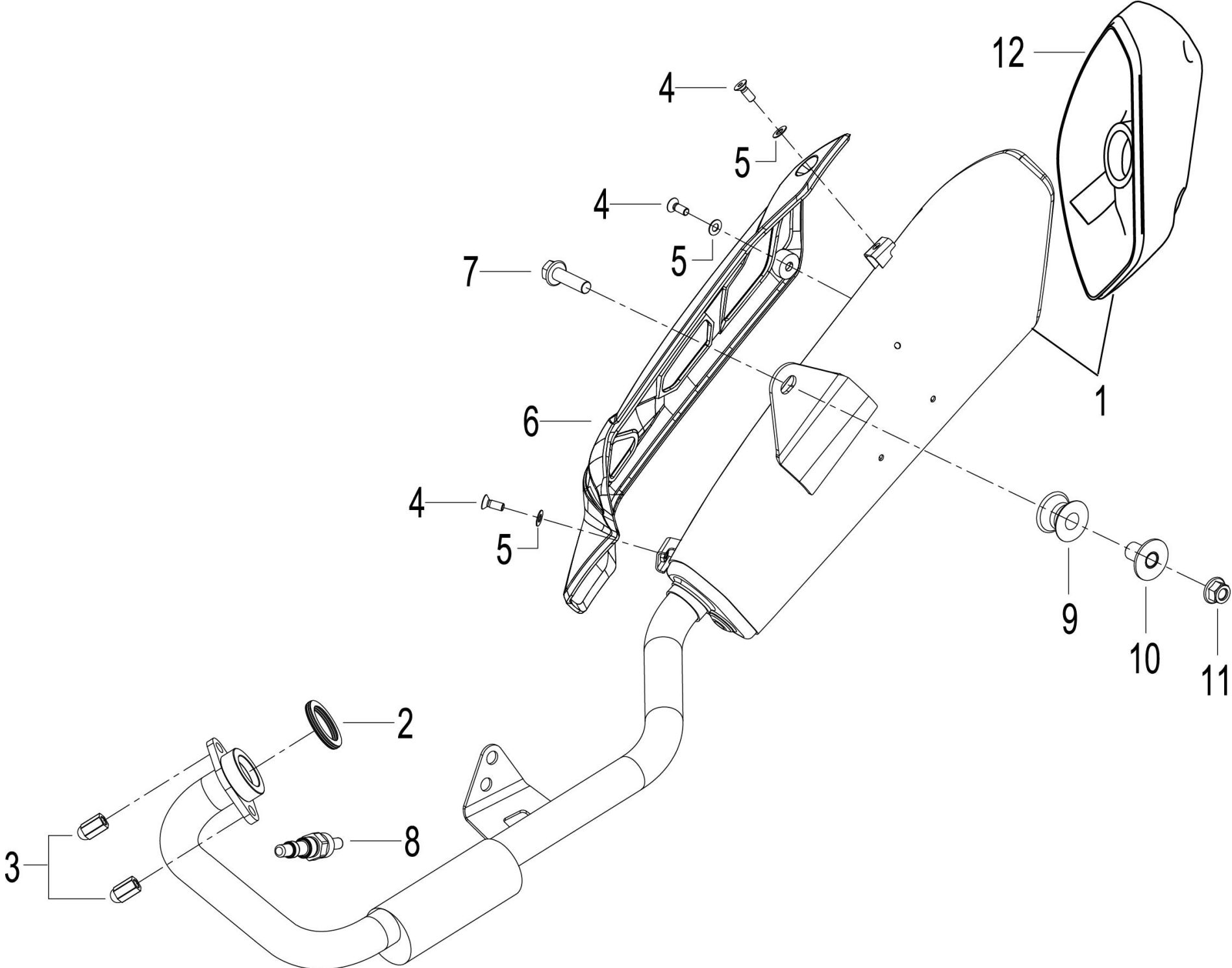
NO.	CODE	CN DESCRIPTION	EN DESCRIPTION	QTY	REMARKS
F04_2-01	55300J800001	后刹车开关	REAR BRAKING SWITCH	1	
F04_2-02	55180J410000	密封垫	WASHER	4	
F04_2-03	55400P100000	后油泵体组件	REAR MASTER CYLINDER ASSY	1	
F04_2-04	55200L430000	后制动软管总成	REAR BRAKE HOSE	1	
F04_2-04A	55200L430001	后制动软管总成	REAR BRAKE HOSE	1	
F04_2-05	55600J800103	后制动缸组件(红色)	REAR BRAKE CALIPER,RED	1	
F04_2-06	55037J410000	六角法兰面螺钉	BRAKE HOSE BANJO BOLT	2	
F04_2-07	45110T400000	摩擦片组件(后液刹)	BRAKE PADS (2PCS/SET)	1 set	
F04_2-08	B0109060126H	螺栓M6×12	BOLT M6×12	1	
F04_2-09	55900L430000	后液刹组件	REAR DISC BRAKE ASSY	1	
F04_2-09A	55900L430001	后液刹组件	REAR DISC BRAKE ASSY	1	
F04_2-10	57041V030001	油杯防拆盖	TAMPER BRACKET	1	
F04_2-11	55038N400000	后液刹线夹	REAR BRAKE CLAMP	1	

F05 前轮 FRONT WHEEL ASSY.



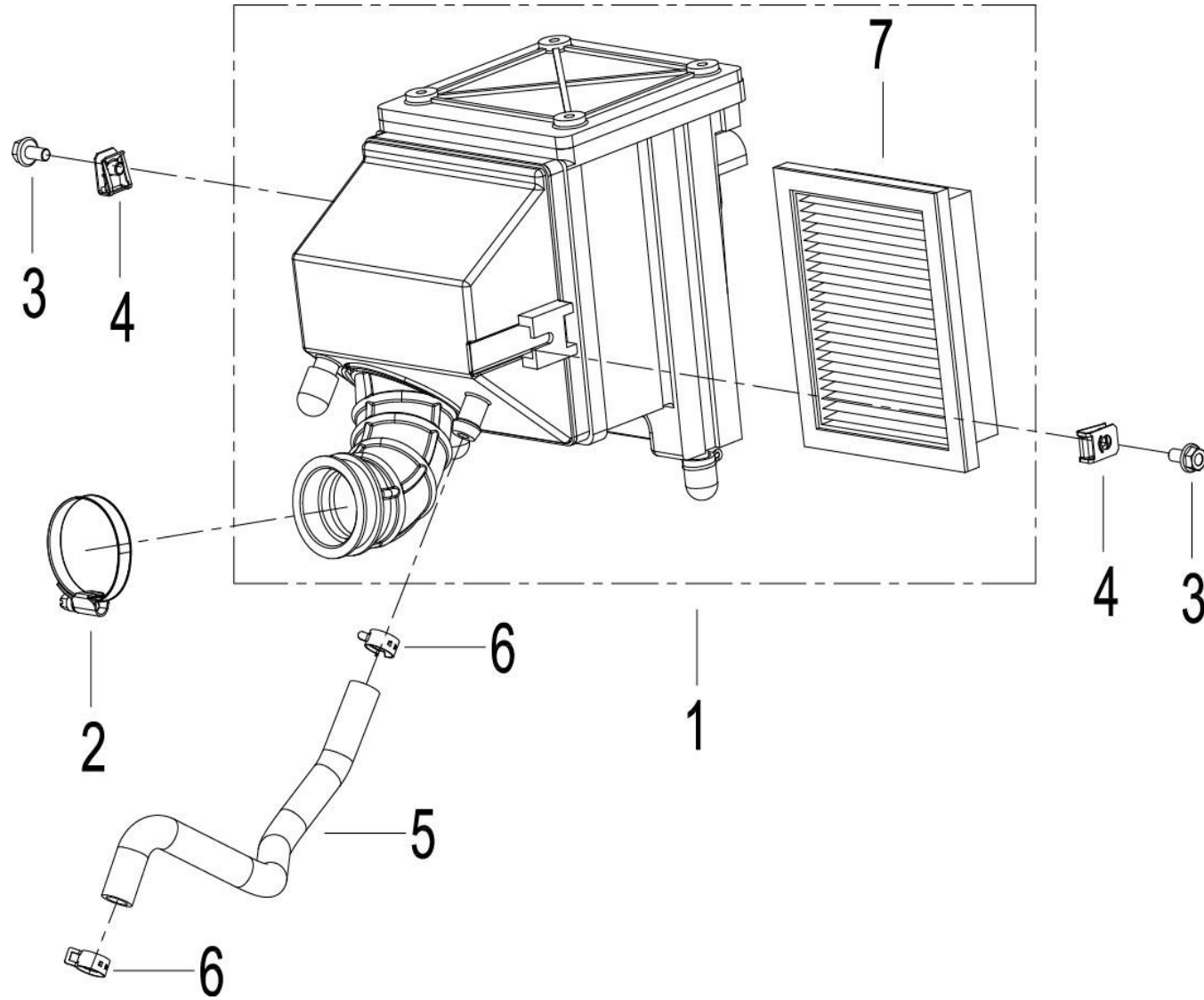
NO.	CODE	CN DESCRIPTION	EN DESCRIPTION	QTY	REMARKS
F05-01	44004J800200	前轮轴M14×1.5×207	FRONT WHEEL AXLE M14×1.5×207	1	
F05-02	44016K740000	前轮右衬套	BUSH FRONT WHEEL ASSY RIGHT	1	
F05-03	44200K690000	齿轮座组件	SPEEDOMETER DRIVE ASSY	1	
F05-04	44023J000000	大齿轮驱动片	DRIVING PLATE	1	
F05-05	44230J000000	齿轮座油封组件	SEAL ASSY	1	
F05-06	B12016020200	滚动轴承6202-2RS	BALL BEARING 6202-2RS	2	
F05-07	44600N210000	前轮中间衬套组件	BUSH	1	
F05-09	44101N210000	前轮圈	FRONT RIM, BLACK	1	
F05-09	44101N21U600	前轮圈(晶彩绿U6)	FRONT RIM, GREEN U6	1	
F05-10	44300B910000	前轮油封组件	FRONT OIL SEAL ASSY	1	
F05-11	44005J800200	前轮左衬套	FRONT WHEEL LEFT COLLAR	1	
F05-12	45033L290000	前制动盘	FRONT BRAKE DISC	1	
F05-13	45036D010200	液刹盘安装螺栓M6×16	BOLT M6×16	6	
F05-14	B1403Z201100	气门嘴	AIR VALVE/RIM VALVE	1	

F06 消声器 MUFFLER ASSY.



NO.	CODE	CN DESCRIPTION	EN DESCRIPTION	QTY	REMARKS
F06-01	47100L430121	消声器焊接组件	MUFFLER ASSY,MARK:E9 QJ EX-L43A	1	
F06-02	47800P250000	排气管衬垫组件	EXHAUST PIPE GASKET ASSY	1	
F06-03	08051N030100	螺母M8	NUT M8	2	
F06-04	B0283060146H	螺钉M6×14	SCREW M6×14	3	
F06-05	08022N050000	隔热垫片	HEAT INSULATION WASHER	6	
F06-06	47023V030000	消声器装饰罩	GUARD BOARD,MUFFLER	1	
F06-07	B01591004065	螺栓M10×1.25×40	BOLT M10×1.25×40	1	
F06-08	319024040001	氧传感器	OXYGEN SENSOR	1	
F06-09	47028H390000	消声器橡胶套	RUBBER BUSH	1	
F06-10	47040H390100	消声器轴套组件	T BUSH	1	
F06-11	60005N050000	链轮母M10×1.25	NUT M10×1.25	1	
F06-12	47762V030000	尾部装饰罩	REAR PROTECT COVER	1	

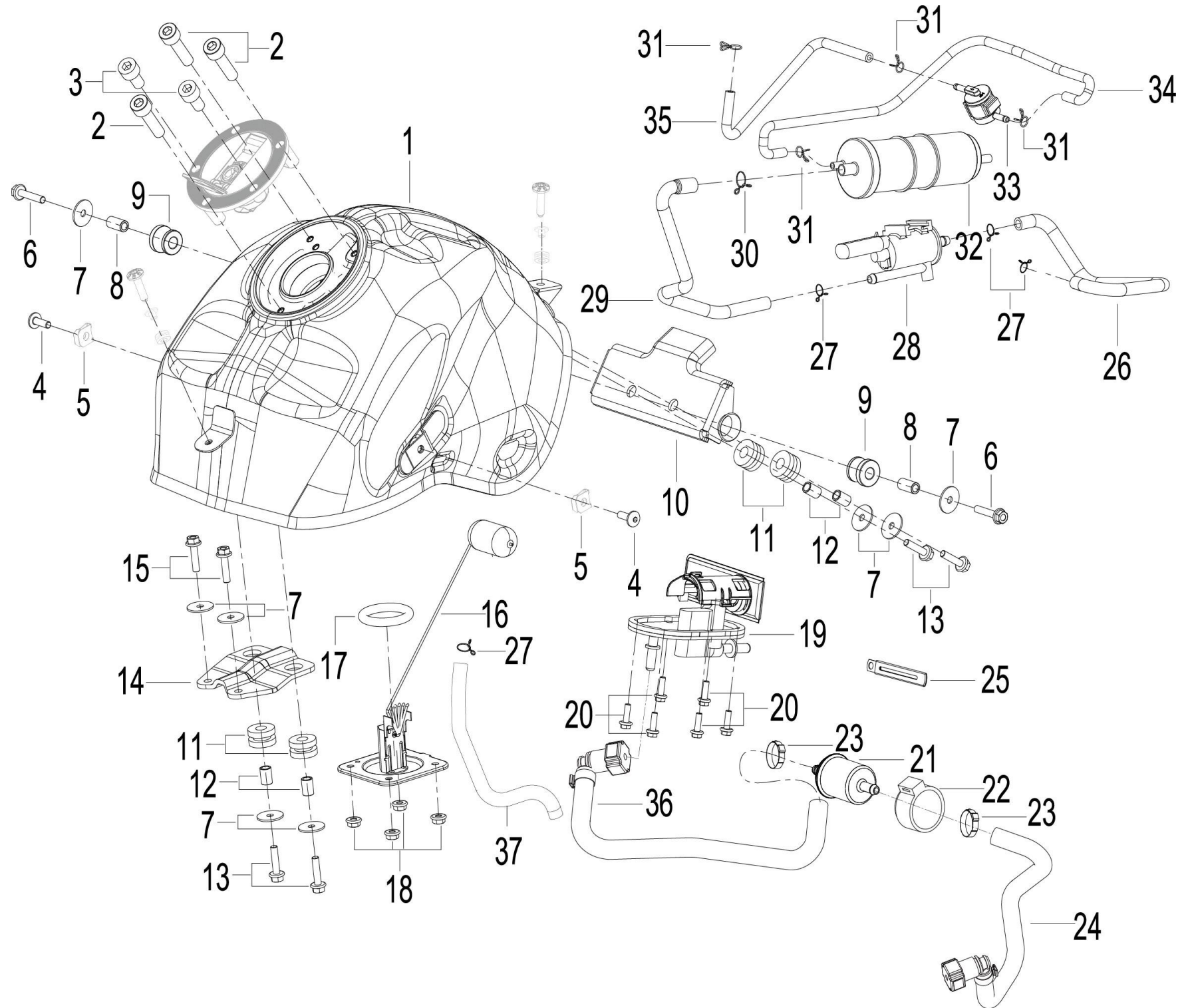
F07 空滤器 AIR CLEANER ASSY.



NO.	CODE	CN DESCRIPTION	EN DESCRIPTION	QTY	REMARKS
F07-01	49100L430000	空滤器组件	AIR FILTER ASSY	1	
F07-02	49016N070000	不锈钢卡箍50	STAINLESS CLAMP 50	1	
F07-03	B0109060126H	螺栓M6×12	BOLT M6×12	2	
F07-04	65625J560000	卡片螺母M6	CLIP NUT M6	2	
F07-05	49858L430000	空滤器与发动机连接管	PIPE	1	
F07-06	49805G120000	板式卡箍Φ14.5×12×0.8	CLAMP Φ14.5×12×0.8	2	
F07-07	49200L430000	空滤器滤芯	AIR FILTER ASSY	1	



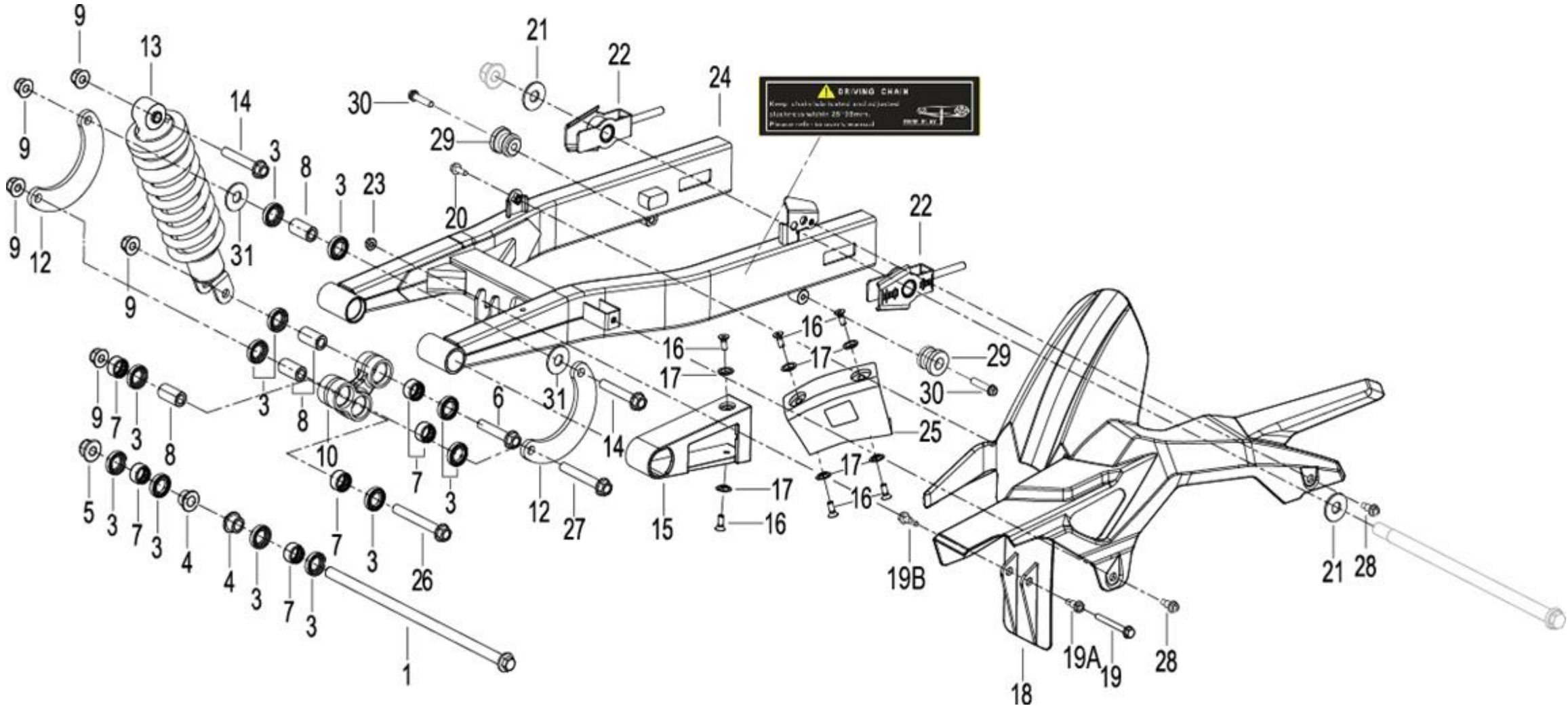
F08 油箱总成 FUEL TANK



NO.	CODE	CN DESCRIPTION	EN DESCRIPTION	QTY	REMARKS
F08-01	50100L430000	油箱体组件	FUEL TANK ASSY	1	
F08-02	B0280050300A	内六角螺钉M5×30	SCREW M5×30	3	
F08-03	B0280050140A	内六角螺钉M5×14	SCREW 5X14	2	
F08-04	08012P160000	不锈钢螺栓M5×16	BOLT M5×16	2	
F08-05	65624P160000	卡螺母M5	CARD NUT M5	2	
F08-06	B0109060356H	螺栓M6×35	BOLT M6×35	2	
F08-07	08023J000100	油箱安装垫圈	FUEL TANK MOUNTING WASHER	8	
F08-08	50243L430000	油箱后固定板缓冲隔套	BUFFER SPACER	2	
F08-09	50242L430000	油箱后固定板缓冲橡胶	BUFFER RUBBER	2	
F08-10	57080L430000	油箱后压板组件	FUEL TANK REAR PRESSURE PLATE	1	
F08-11	50005P250000	油箱前安装垫	RUBBER BUSH	4	
F08-12	50014P250010	橡胶垫衬管	RUBBER BUSH	4	
F08-13	B0109060256H	螺栓M6×25	BOLT M6×25	4	
F08-14	50231L430000	油箱前固定板	FUEL TANK FRONT FIXING PLATE	1	
F08-15	B0109060256H	螺栓M6×25	BOLT M6×25	2	
F08-16	50800L430001	油位传感器组件	FUEL SENSOR ASSY	1	
F08-17	50002K020000	传感器橡胶垫	FUEL LEVEL SENSOR RUBBER WASHER	1	
F08-18	B0407060005H	螺母M6	NUT M6	4	
F08-19	50400P100040	燃油泵组件	FUEL PUMP ASSY	1	
F08-20	B0109050166H	螺栓M5×16	BOLT M5×16	6	
F08-21	50340N100001	滤清器组件	FUEL FILTER	1	
F08-22	50391N070010	过滤器护套	FUEL FILTER JACKET	1	
F08-23	50307J690000	卡箍14.5-706R	CLAMP 14.5	2	
F08-24	50080L430000	喷油器与过滤器连接管组件	TUBE	1	
F08-25	58430J000000	线夹组件	CLIP	1	
F08-26	49923L430000	电磁阀与发动机进气管连接管	TUBE	1	
F08-27	B17010110003	钢丝卡箍Φ11	WIRE CLAMP Φ11	5	
F08-28	49710N070000	碳罐电磁阀	CANISTER SOLENOID VALVE	1	
F08-29	49922L430000	碳罐与电磁阀连接管	TUBE	1	
F08-30	B17010125003	钢丝卡箍Φ12.5	WIRE CLAMP Φ12.5	1	

NO.	CODE	CN DESCRIPTION	EN DESCRIPTION	QTY	REMARKS
F08-31	B17010085003	钢丝卡箍Φ8.5	WIRE CLAMP Φ8.5	4	
F08-32	49910V300001	碳罐组件	CANISTER ASSY	1	
F08-33	50260T730003	倾倒阀组件	ROLL OVER SENSOR	1	
F08-34	49902L430000	碳罐与倾倒阀连接管	TUBE	1	
F08-35	49905L430000	倾倒阀与油箱连接管	TUBE	1	
F08-36	50090L430000	过滤器与油泵连接管组件	TUBE	1	
F08-37	B16010726201	油管Φ7×11×620	HOSE Φ7×11×620	1	

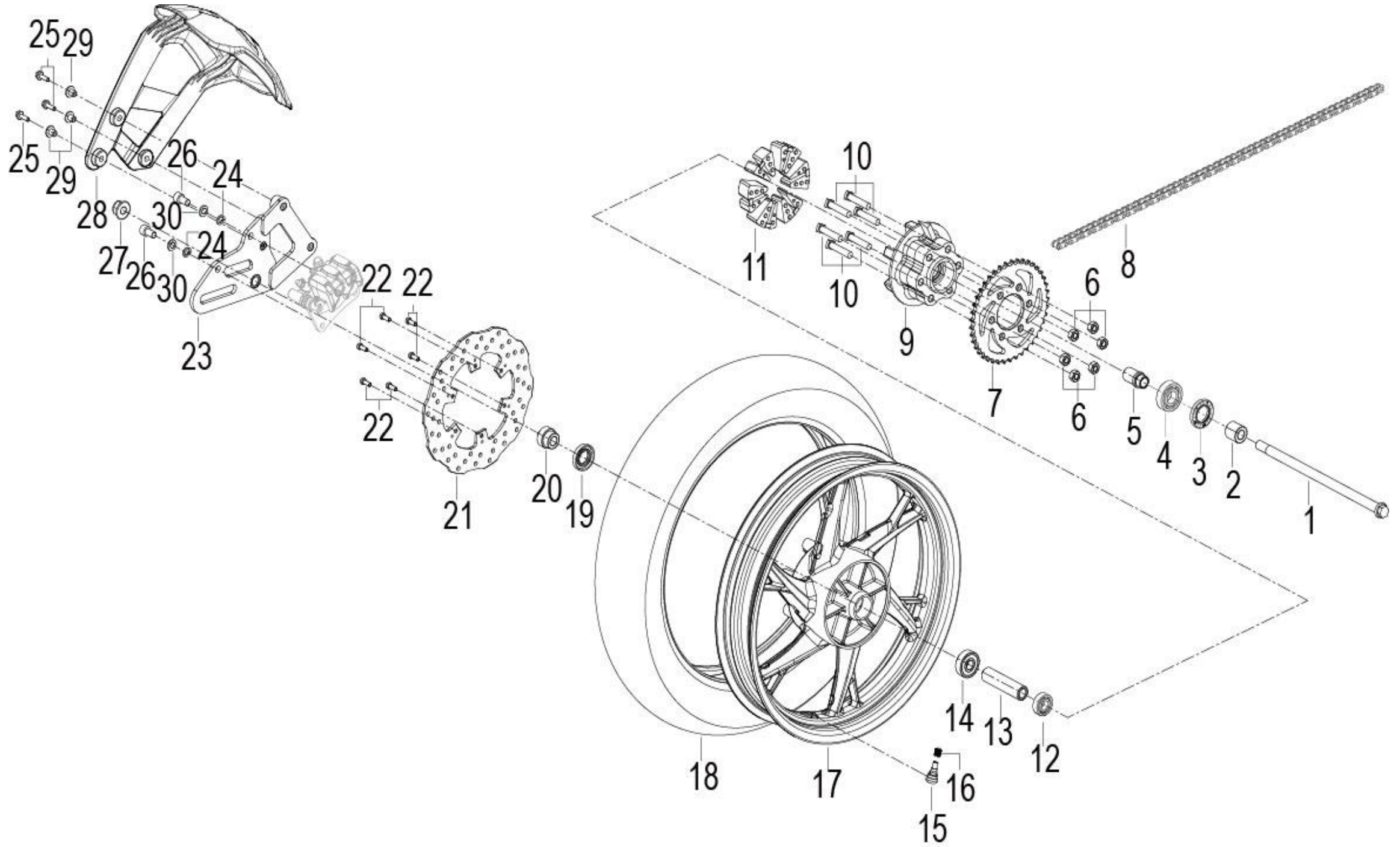
F09 后摆臂 REAR SWINGING ARM ASSY.



NO.	CODE	CN DESCRIPTION	EN DESCRIPTION	QTY	REMARKS
F09-01	58303L430000	发动机固定轴M12×1.25×316	PIVOT SHAFT M12×1.25×318	1	
F09-03	54640L430000	密封圈17×27×6	SEAL RING 17×27×6	12	
F09-04	53006L430000	后摆臂安装隔套	T BUSH	2	
F09-05	B0417121254H	自锁螺母M12×1.25	SELF-LOCKING NUT M12×1.25	1	
F09-06	08013V030000	后减震上固定螺栓M10×67	BOLT M10×67	1	
F09-07	53243L430000	滚针轴承17×24×15	NEEDLE BEARING 17×24×15	8	
F09-08	53242L430000	后减震衬套	REAR SHOCK ABSORBER BUSH	4	
F09-09	B0417101254H	自锁螺母M10×1.25	SELF-LOCKING NUT M10×1.25	5	
F09-10	53241L430000	后减震摇臂	REAR SHOCK ABSORBER ROCKER	1	
F09-12	53244L430001	摇臂连接板	ROCKER CONNECT PLATE	2	
F09-13	63800L430000	后减震器组件	REAR SHOCK ABSORBER ASSY	1	
F09-14	B0255100558H	内六角圆柱头螺钉	SCREW M10×1.25×55	1	
F09-15	53004L430000	链条防护块	CHAIN SHIELD BLOCK	1	
F09-16	B0201060122H	螺钉M6×12	SCREW M6×12	6	
F09-17	53056D010200	隔套2	BUSH	6	
F09-18	60101L430000	链罩	DRIVE CHAIN COVER	1	
F09-19A	08013J020100	油位传感器固定螺栓	BOLT	1	
F09-19B	08012H010100	凸台螺栓M6×20	BOLT M6×20	1	
F09-20	B01090601665	螺栓M6×16	BOLT M6×16	1	
F09-21	08021K670000	垫圈Φ16×Φ32×2	WASHER Φ16×Φ32×2	2	
F09-22	53230L430100	左链条调节器压板组件	LEFT CHAIN REGULATOR ASSY	2	
F09-24	53100L430000	后摆臂焊接组件	SWING ARM ASSY	1	
F09-25	53018L430000	链条后防护块	CHAIN REAR SHIELD BLOCK	1	
F09-26	08012V030000	后减震下固定螺栓M10×77	BOLT M10×77	1	
F09-27	08013V030000	后减震上固定螺栓M10×67	BOLT M10×67	1	
F09-28	08011H010200	凸台螺栓M6×14	BOLT M6×14	2	
F09-29	53021P250000	支撑套	BUSH	2	
F09-30	B02810602562	螺钉M6×25-8.8-ZG	SCREW M6×25-8.8-ZG	2	
F09-31	53021L430000	摇臂耐磨垫片	WASHER	2	

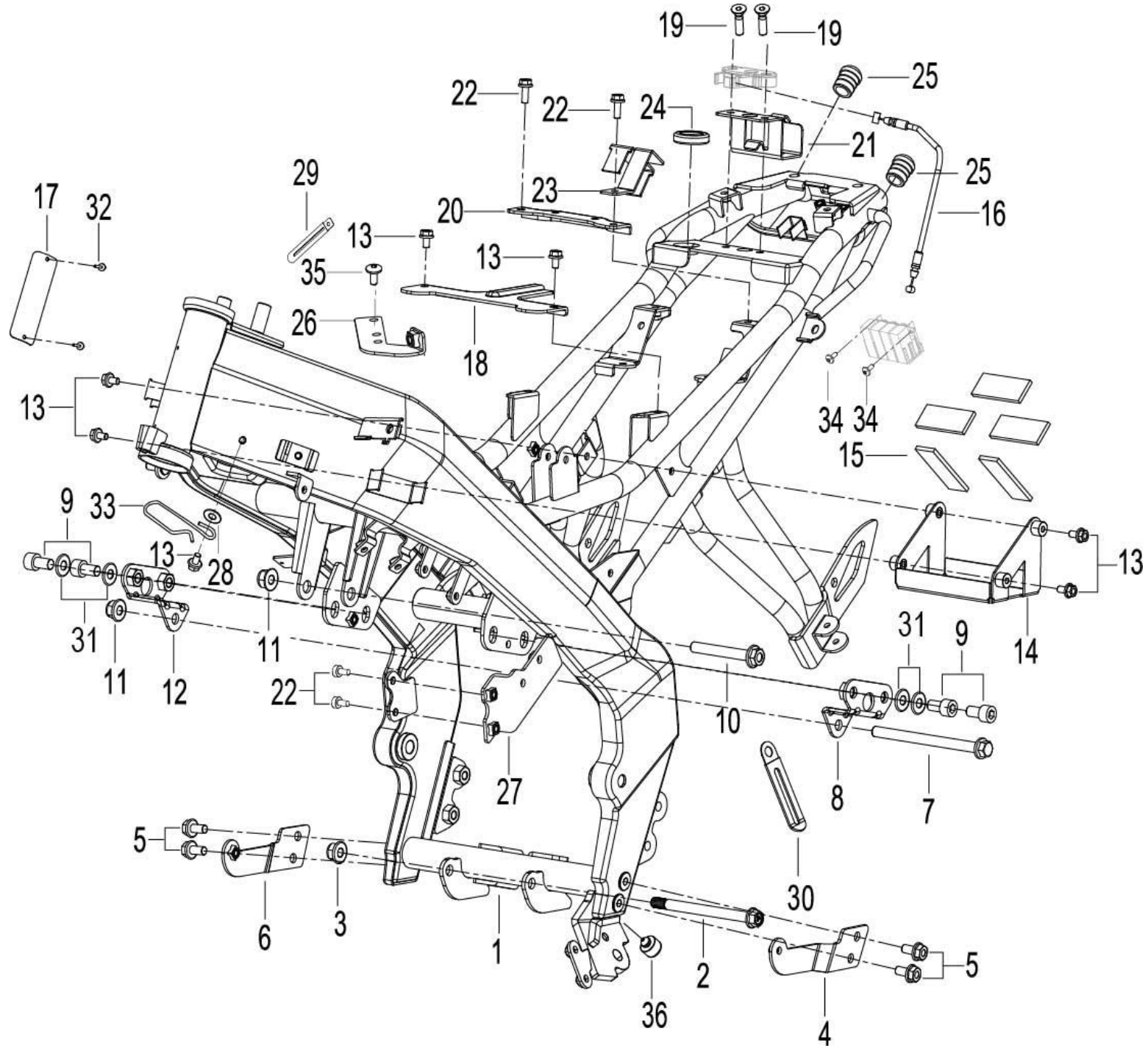


F10 后轮 REAR WHEEL ASSY.



NO.	CODE	CN DESCRIPTION	EN DESCRIPTION	QTY	REMARKS
F10-01	54004L430000	后轮轴M14×1.25×318	REAR WHEEL SHAFT M14×1.25×318	1	
F10-02	54016L430000	后轮左轴套	REAR WHEEL LEFT COLLAR	1	
F10-03	60200J000001	防尘圈组件	DUST SEAL ASSY	1	
F10-04	B12016020400	滚动轴承6204-2RS	BALL BEARING 6204-2RS	1	
F10-05	60006L430000	链传动轴套	REAR WHEEL AXLE SLEEVE	1	
F10-06	B0417101254H	自锁螺母M10×1.25	NUT M10×1.25	6	
F10-07	60002M500001	链轮(6孔/46齿)	SPROCKET WHEEL 46 TOOTH	1	
F10-08	B1502S1124B0	链条428HO-1×124	CHAIN 428HO-1×124	1	
F10-09	60001L430000	链轮毂	REAR WHEEL DRIVE HUB	1	
F10-10	60015L430000	链轮安装螺栓M10×1.25×55	BOLT M10×1.25×55	6	
F10-11	54024N210000	后轮缓冲块	REAR WHEEL DRIVE HUB DAMPER	6	
F10-12	B12016020200	滚动轴承6202-2RS	BALL BEARING 6202-2RS	1	
F10-13	54006J800000	轴承隔套	REAR WHEEL SPACER	1	
F10-14	B12016030200	滚动轴承6302-2RS	BALL BEARING 6302-2RS	1	
F10-15	B1403Z201100	气门嘴	AIR VALVE/RIM VALVE	1	
F10-16	B1404Z2011A0	气门嘴帽Z2-01-1	CAP,VALVE	1	
F10-17	54101N210000	后轮圈	REAR RIM,BLACK	1	
F10-17	54101N21U600	后轮圈(晶彩绿U6)	REAR RIM,GREEN U6	1	
F10-19	44300J040000	前轮右油封组件	FRONT WHEEL RIGHT OIL SEAL ASSY,CORDIAL	1	
F10-20	54005L290200	后轮右轴套	REAR WHEEL RIGHT COLLAR	1	
F10-21	55033L430000	后制动盘	REAR BRAKE DISC	1	
F10-22	45036D010200	液刹盘安装螺栓M6×16	BOLT M6×16	6	
F10-23	55410L430000	后液刹联板组件	REAR BRAKE CALIPER MOUNTING BRACKET ASSY	1	
F10-24	B0700000100H	弹簧垫圈φ10	SPRING WASHER 10	2	
F10-25	B01090602065	螺栓M6×20	BOLT M6×20	3	
F10-26	B0255100186H	内六角螺钉M10×1.25×18	SCREW M10×18	2	
F10-27	B0417141504H	自锁螺母M14×1.5	SELF-LOCKING NUT M14×1.25	1	
F10-28	65761L43BG01	后下挡泥板(哑黑BG)	REAR FENDER UNDER PART,MATT BLACK BG	1	
F10-29	51076J410100	衬套	BUSH	3	
F10-30	B0703000100H	垫圈φ10	WASHER 10	2	

F12 车架 FRAME BODY

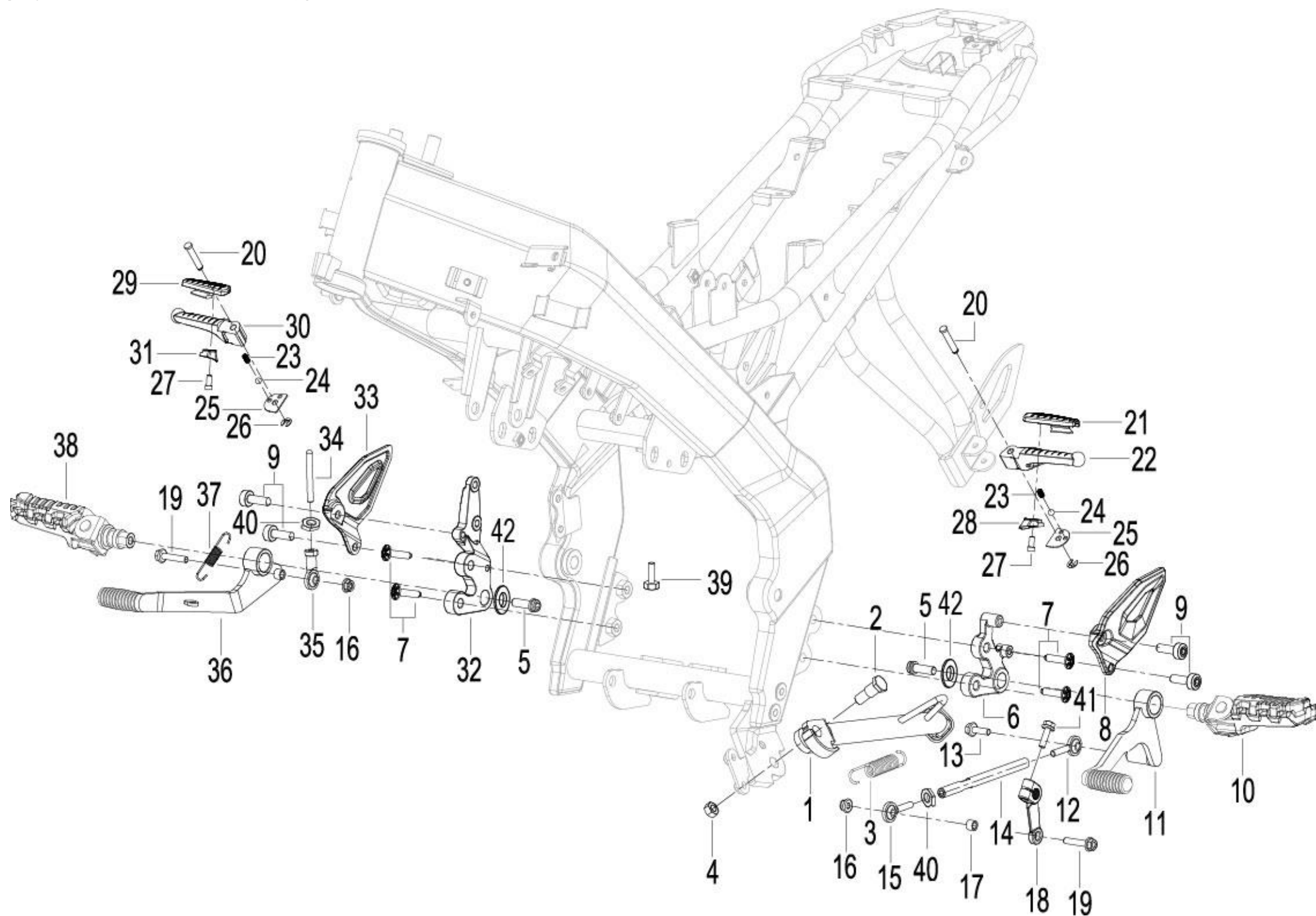


NO.	CODE	CN DESCRIPTION	EN DESCRIPTION	QTY	REMARKS
F12-01	57100L43BG03	车架焊接组件	FRAME ASSY	1	start vin LBBU32019LBB76998



NO.	CODE	CN DESCRIPTION	EN DESCRIPTION	QTY	REMARKS
F12-02	58306V030100	发动机下固定轴M10×124	ENGINE MOUNTING SHAFT M10×124	1	
F12-03	B0417101254H	自锁螺母M10×1.25	SELF-LOCKING NUT M10×1.25	1	
F12-04	65570L430000	左下导流罩后安装板组件	LEFT COWLING	1	
F12-05	B0109080166H	螺栓M8×16	BOLT M8×16	4	
F12-06	65580L430000	右下导流罩后安装板组件	LEFT FIXING PLATE	1	
F12-07	58305L430000	发动机与车架固定轴	ENGINE MOUNTING SHAFT M10×1.25×134	1	
F12-08	57020L430000	发动机左安装板组件	ENGINE LEFT MOUNTING PLATE	1	
F12-09	B0255100186H	内六角螺钉M10×1.25×18	SCREW M10×1.25×18	4	
F12-10	B01591007562	螺栓M10×1.25×75	BOLT M10×1.25×75	1	
F12-11	B0417101254H	自锁螺母M10×1.25	SELF-LOCKING NUT M10×1.25	2	
F12-12	57030L430000	发动机右安装板组件	ENGINE RIGHT MOUNTING PLATE	1	
F12-13	B0109060126H	螺栓M6×12	BOLT M6×12	7	
F12-14	58750L430002	蓄电池支架焊接组件	BATTERY FIXING BRACKET	1	
F12-15	58752P250000	蓄电池海绵垫	BATTERY SPONGE CUSHION	5	
F12-16	58900L430000	座垫钢索组件	SEAT LOCK CABLE ASSY	1	
F12-18	58741L430000	蓄电池压板	BATTERY PRESSURE PLATE	1	
F12-19	B0201060252H	螺钉M6×25	SCREW M6×25	2	
F12-20	57410L430000	座垫支撑板组件	SEAT SUPPORT PLATE	1	
F12-21	58761L430000	工具箱支架	TOOL KIT BOX BRACKET	1	
F12-23	57437L430000	闪光器安装板	FLASHER FIXING PLATE	1	
F12-24	51103L430000	座垫缓冲橡胶	BUFFER RUBBER	1	
F12-25	57015N140000	车架堵头	PLUG	2	
F12-26	57400L430000	继电器安装座	STARTER RELAY FIXING BRACKET	1	
F12-28	B0702000060H	垫圈φ6	WASHER 6	1	
F12-31	B0703000100H	垫圈φ10	WASHER 10	4	
F12-32	B10000300600	标牌铆钉3×6	RIVET 3×6	2	
F12-32	B100432007P0	抽芯铆钉3.2×7	RIVET 3.2×7	2	start from 2020
F12-33	40022L430000	线夹	WIRE CLIP	1	
F12-34	08011P160000	不锈钢螺栓M5×12	SCREW M5×12	2	
F12-35	B0283060146H	螺钉M6×14	SCREW M6×14	1	
F12-36	47026J000000	消音器缓冲橡皮	MUFFLER BUFFER RUBBER	1	

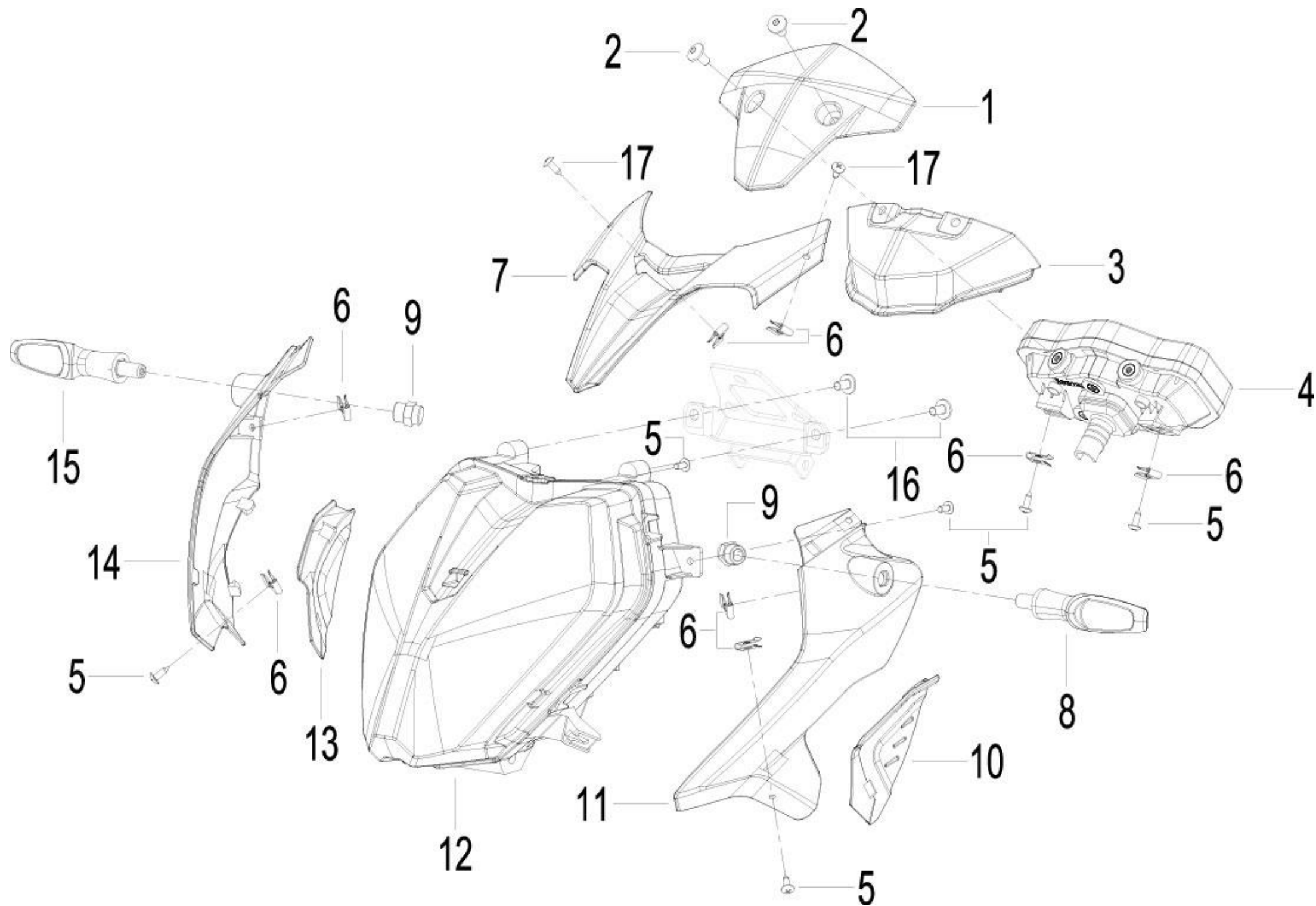
F13 中撑/单撑 MAIN & SIDE STAND ASSY & 脚蹬 PEDAL ASSY.



NO.	CODE	CN DESCRIPTION	EN DESCRIPTION	QTY	REMARKS
F13-01	58700L430000	单撑焊接组件	SIDE STAND ASSY	1	
F13-02	57005B410101	单撑固定螺栓8×35.5	SIDE STAND BOLT M8×35.5	1	
F13-03	57010J830000	单撑弹簧组件	SIDE STAND SPRING	1	
F13-04	B0402080001H	薄螺母M8	NUT M8	1	
F13-05	B0226080206H	内六角花形螺钉M8×20	SCREW M8×20	2	
F13-06	58451L430000	左踏蹬固定座	LEFT FOOTREST BRACKET PLATE	1	
F13-07	52018J800000	后货架螺钉	SCREW M8×25	4	
F13-08	58211L430000	左脚蹬装饰板	LEFT FOOTREST DECORATIVE PLATE	1	
F13-09	B02810602062	螺栓M6×1×20	BOLT M6×1×20	4	
F13-10	58220L430000	左前踏蹬组件	LEFT FRONT FOOTREST ASSY.	1	
F13-11	08370L430000	变档杆焊接组件	SHIFT PEDAL	1	
F13-12	40706S040000	M6左节头	M6 LEFT SECTION HEAD	1	
F13-13	B01090601665	螺栓M6×16	BOLT M6×16	1	
F13-14	08371L430000	变档杆连接杆	SHIFT ROD	1	
F13-15	08375S010000	节头	SECTION HEAD	1	
F13-16	B0417060004H	螺母M6	SELF-LOCKING NUT M6	2	
F13-17	47033T430100	消音器护板安装隔套	MUFFLER GUARD PLATE INSTALLATION SPACER	1	
F13-18	08386P100001	变档杆安装座	SHIFT PEDAL MOUNTING BRACKET	1	
F13-19	B0109060356H	螺栓M6×35	BOLT M6×35	2	
F13-20	58213L430000	脚蹬安装轴	PEDAL MOUNTING SHAFT	2	
F13-21	08352S020000	左脚蹬橡胶	LEFT PEDAL RUBBER	1	
F13-22	58266S010000	左后踏蹬	LEFT REAR FOOTREST	1	
F13-23	58222B930000	前脚踏弹簧	PEDAL SPRING	2	
F13-24	B06000002000	脚蹬滚珠	PEDAL BALL	2	
F13-25	58203L430000	脚蹬限位板	PEDAL LIMIT PLATE	2	
F13-26	B0882000050A	挡圈φ5	CIRCLIP φ5	2	
F13-27	B0280040100A	螺钉M4×10	SCREW M4×10	2	
F13-28	58205S020000	左脚蹬橡胶垫块	LEFT PEDAL RUBBER PAD IS	1	
F13-29	08372S020000	右脚蹬橡胶	RUBBER PEDAL RIGHT	1	
F13-30	58286S010000	右后踏蹬	RIGHT REAR PEDAL	1	

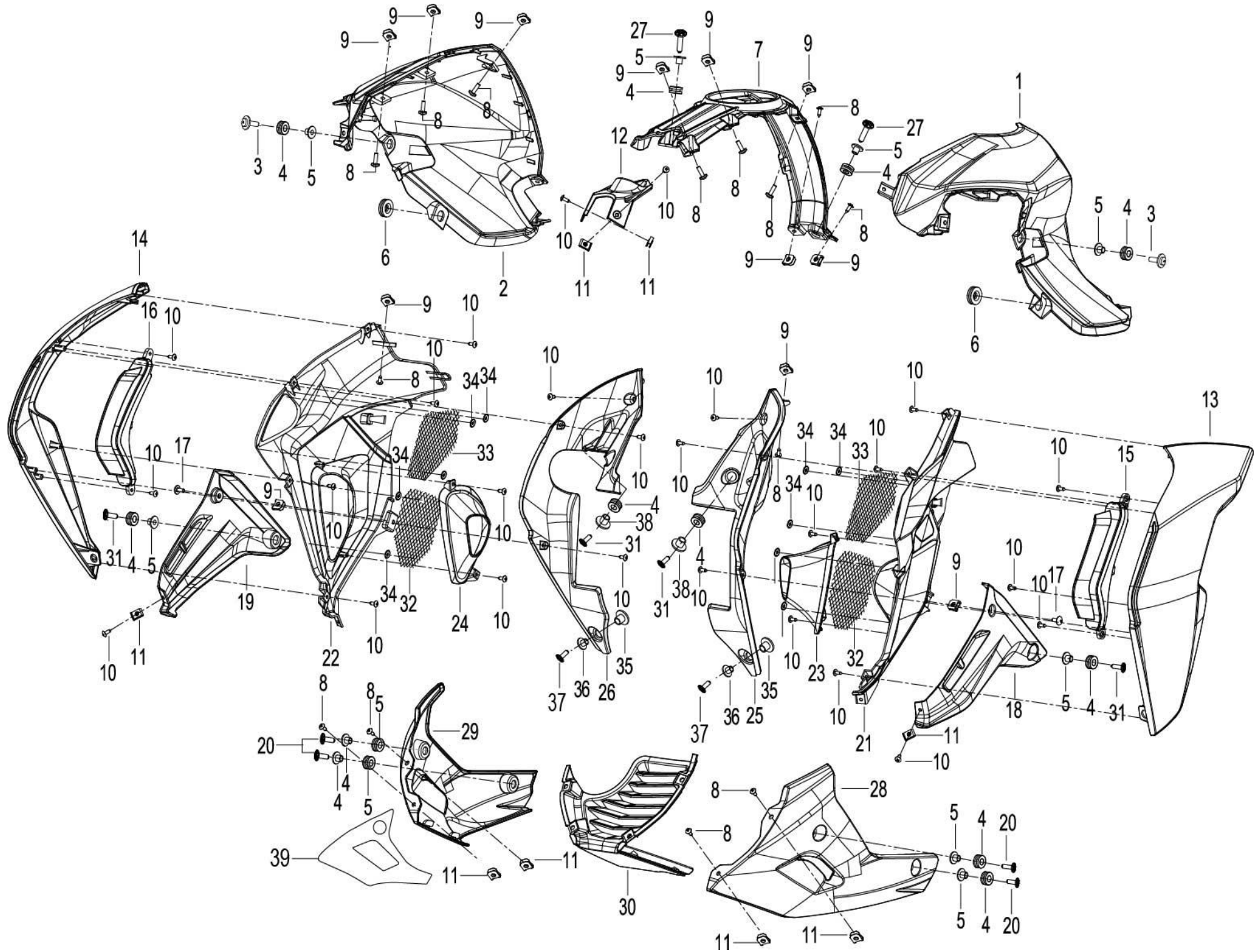
NO.	CODE	CN DESCRIPTION	EN DESCRIPTION	QTY	REMARKS
F13-31	58405S020000	右脚蹬橡胶垫块	RUBBER PEDAR RIGHT	1	
F13-32	58471L430000	右踏蹬固定座	RIGHT FOOTREST BRACKET PLATE	1	
F13-33	58311L430000	右脚蹬装饰板	RIGHT FOOTREST DECORATIVE PLATE	1	
F13-34	55061L290000	后脚泵柱塞螺杆	BRAKE PUSH ROD	1	
F13-35	40283S010000	节头M6	SECTION HEAD M6	1	
F13-36	40710L430000	刹车踏板焊接组件	BRAKE PEDAL ASSY	1	
F13-37	40702L290000	刹车拉簧	BRAKE SPRING	1	
F13-38	58240L430000	右前踏蹬组件	RIGHT FRONT PEDAL ASSY	1	
F13-39	B0109060256H	螺栓M6×25	BOLT M6×25	1	
F13-40	08051S040010	左螺母M6	LEFT NUT M6	2	
F13-41	B02810602062	螺栓M6×1×20	BOLT M6×1×20	1	
F13-42	08023P250000	液刹泵安装垫圈	WASHER Φ10.5×Φ19×0.8	2	

F14 导流罩总成 FRONT COVER ASSY.



NO.	CODE	CN DESCRIPTION	EN DESCRIPTION	QTY	REMARKS
F14-01	65203L43B200	速度表遮阳板(珍珠黑B2)	METER VISOR, BLACK B2	1	
F14-02	08011P160000	不锈钢螺栓M5×12	SCREW M5×12	2	
F14-03	65202L430000	仪表托罩	INSTRUMENT COVER	1	
F14-04	70000L430000	仪表总成	METER ASSY	1	
F14-05	B0507420130H	自攻螺钉ST4.2×13	TAPPING SCREW ST4.2×13	8	
F14-06	65801T850100	卡片ST4.2	INSERT ST4.2	8	
F14-07	65501L430000	导流罩	COWLING	1	
F14-08	81100L430000	前左转向灯	FRONT LEFT TURN SIGNAL LIGHT	1	
F14-09	81065L430000	转向灯螺套	SCREW	2	
F14-10	65521L430000	左导流罩装饰板	LEFT COWLING DECORATIVE PLATE	1	
F14-11	65506L43B200	左导流罩(珍珠黑B2)	LEFT COWLING, GRAPHITE BLACK B2	1	WITHOUT STICKER
F14-12	80000L430020	前照灯(喷防雾漆+退火工序)	HEAD LIGHT	1	
F14-13	65531L430000	右导流罩装饰板	RIGHT COWLING DECORATIVE PLATE	1	
F14-14	65507L43B200	右导流罩(珍珠黑B2)	RIGHT COWLING, GRAPHITE BLACK B2	1	WITHOUT STICKER
F14-15	81300L430000	前右转向灯	FRONT RIGHT TURN SIGNAL LIGHT	1	
F14-16	B01070601263	螺栓M6×12	BOLT M6×12	2	
F14-17	B0507420101H	自攻螺钉ST4.2×10	TAPPING SCREW ST4.2×10	2	

F15 油箱护板 FUEL TANK PROTECTOR COVER

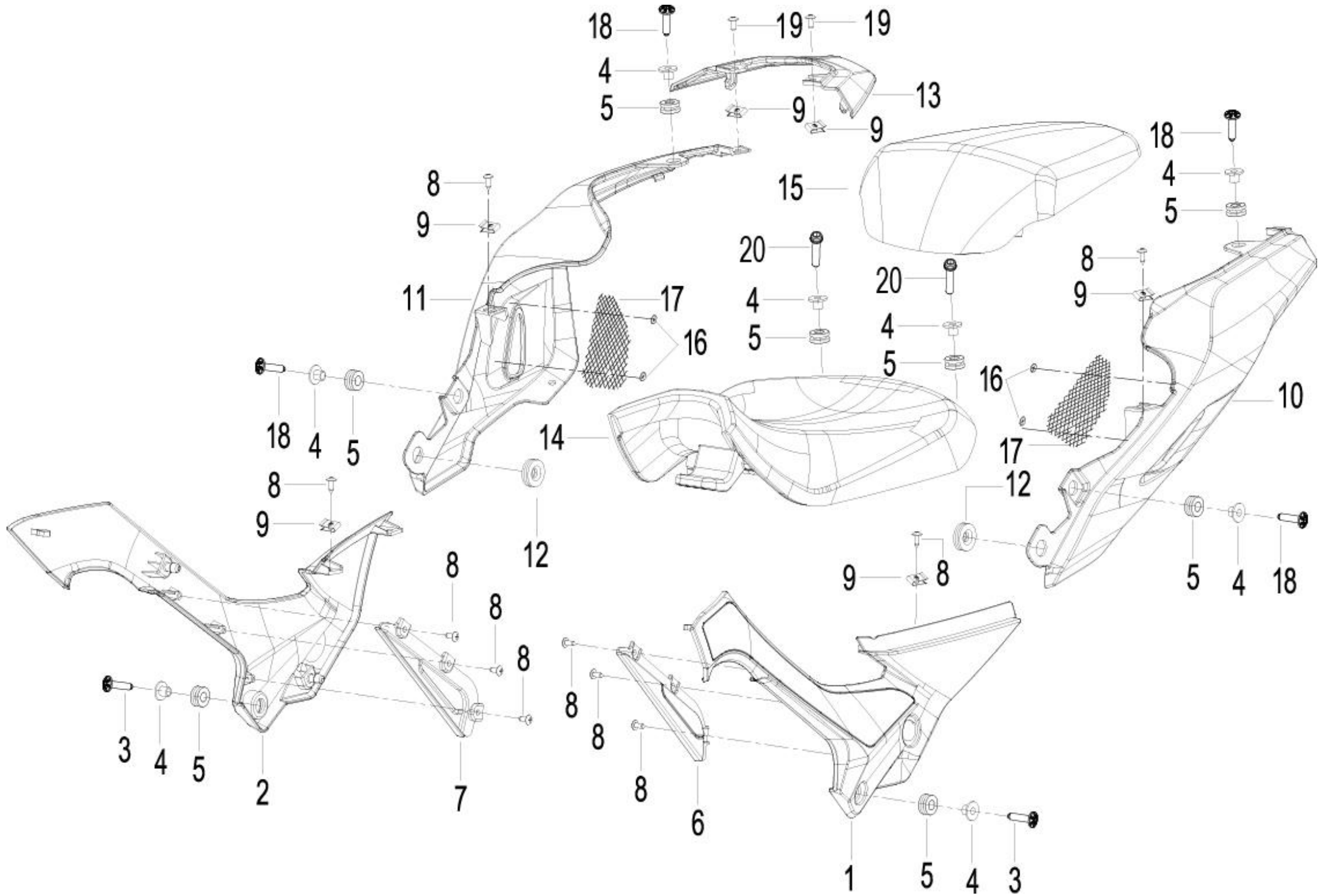


NO.	CODE	CN DESCRIPTION	EN DESCRIPTION	QTY	REMARKS
F15-01	50015L43009Z	左油箱护板(晶彩绿U6)带贴花	FUEL TANK LEFT SIDE COVER, GREEN U6, WITH STICKER	1	
F15-01	50015L43010Z	左油箱护板(艳红2#RB)带贴花	FUEL TANK LEFT SIDE COVER, RED RB, WITH STICKER	1	
F15-01	50015L43011Z	左油箱护板(闪光黑N4)带贴花	FUEL TANK LEFT SIDE COVER, BLACK N4, WITH STICKER	1	
F15-02	50016L43009Z	右油箱护板(晶彩绿U6)带贴花	FUEL TANK RIGHT SIDE COVER, GREEN U6, WITH STICKER	1	
F15-02	50016L43010Z	右油箱护板(艳红2#RB)带贴花	FUEL TANK RIGHT SIDE COVER, RED RB, WITH STICKER	1	
F15-02	50016L43011Z	右油箱护板(闪光黑N4)带贴花	FUEL TANK RIGHT SIDE COVER, BLACK N4, WITH STICKER	1	
F15-03	B0284060200A	不锈钢螺钉M6×20	SCREW M6×20	2	
F15-04	65616L430000	护板橡胶垫	RUBBER CUSHION	12	
F15-05	65517J900001	大灯衬套	HEADLIGHT BRACKET BUSH	10	
F15-06	50018G530000	橡胶套	RUBBER SLEEVE	2	
F15-07	65672L43N400	油箱中间护板(闪光黑N4)	FUEL TANK MID COVER, BLACK N4	1	
F15-08	08012P160000	不锈钢螺栓M5×16	BOLT M5×16	16	
F15-09	65624P160000	卡螺母M5	CARD NUT M5	16	
F15-10	B0507420130H	自攻螺钉ST4.2×13	TAPPING SCREW ST4.2×13	38	
F15-11	65801T850100	卡片ST4.2	INSERT ST4.2	12	
F15-12	65671L430001	油箱前装饰板	FUEL TANK FRONT DECORATIVE PLATE	1	
F15-13	65675L43009Z	油箱左前护板(晶彩绿U6)带贴花	FUEL TANK LEFT FRONT SIDE COVER, GREEN U6, WITH STICKER	1	
F15-13	65675L43010Z	油箱左前护板(艳红2#RB)带贴花	FUEL TANK LEFT FRONT SIDE COVER, RED RB, WITH STICKER	1	
F15-13	65675L43011Z	油箱左前护板(闪光黑N4)带贴花	FUEL TANK LEFT FRONT SIDE COVER, BLACK N4, WITH STICKER	1	
F15-14	65676L43009Z	油箱右前护板(晶彩绿U6)带贴花	FUEL TANK RIGHT FRONT SIDE COVER, GREEN U6, WITH STICKER	1	
F15-14	65676L43010Z	油箱右前护板(艳红2#RB)带贴花	FUEL TANK RIGHT FRONT SIDE COVER, RED RB, WITH STICKER	1	
F15-14	65676L43011Z	油箱右前护板(闪光黑N4)带贴花	FUEL TANK RIGHT FRONT SIDE COVER, BLACK N4, WITH STICKER	1	
F15-15	81900L430001	前夜灯左灯	FRONT LEFT CITY LIGHT	1	
F15-16	83900L430001	前夜灯右灯	FRONT RIGHT CITY LIGHT	1	
F15-17	08012P160000	不锈钢螺栓M5×16	SCREW M5×16	2	
F15-18	65681L430000	左油箱下护板	FUEL TANK LEFT LOWER SIDE COVER	1	
F15-19	65682L430000	右油箱下护板	FUEL TANK RIGHT LOWER SIDE COVER	1	



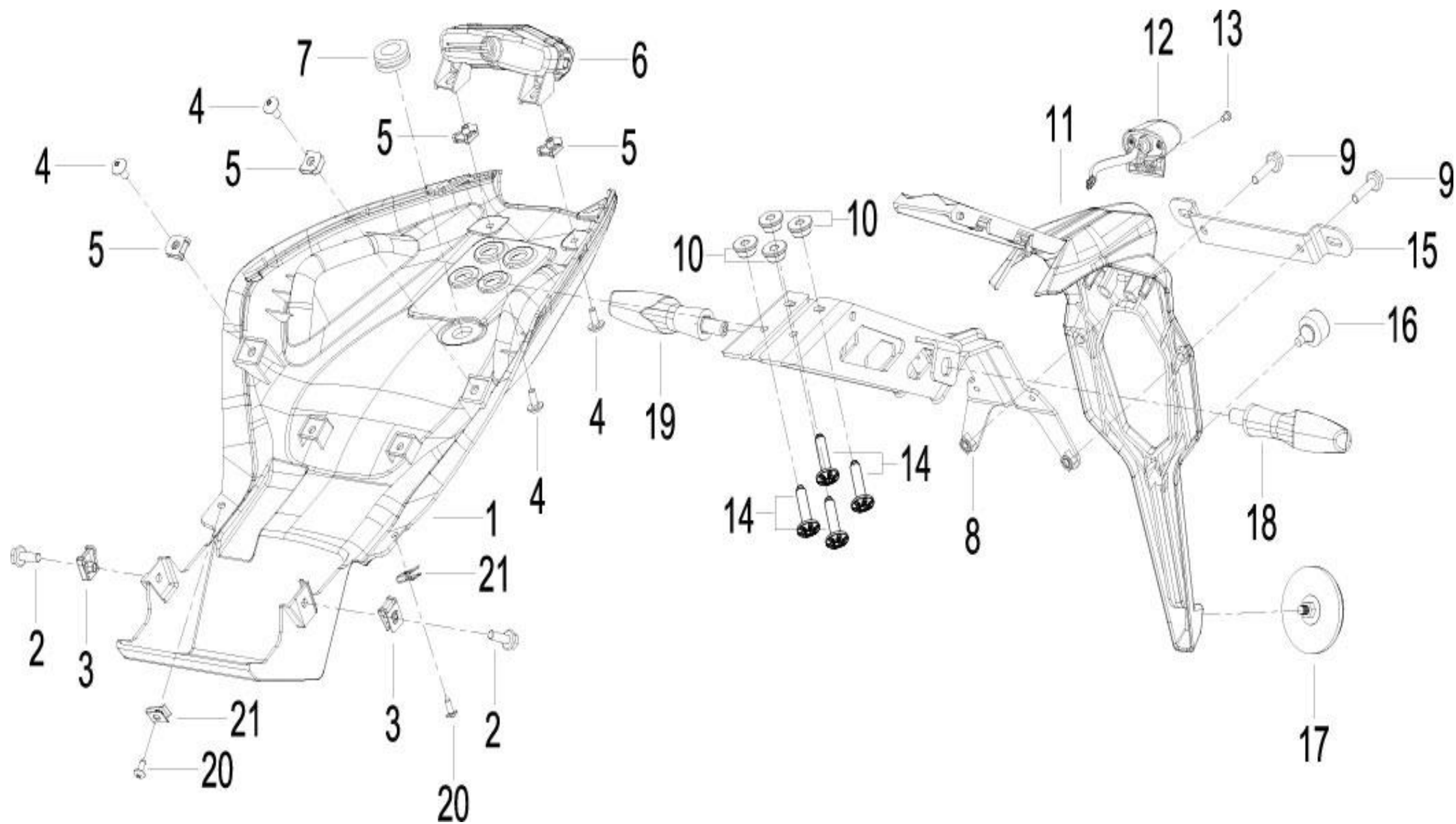
NO.	CODE	CN DESCRIPTION	EN DESCRIPTION	QTY	REMARKS
F15-20	B0284060250A	不锈钢螺钉M6×25	SCREW M6×25	4	
F15-21	65677L430000	油箱左前护板装饰板	LEFT FRONT DECORATIVE PLATE	1	
F15-22	65678L430000	油箱右前护板装饰板	RIGHT FRONT DECORATIVE PLATE	1	
F15-23	65683L430000	左导风口	LEFT GUIDE TUYERE	1	
F15-24	65684L430000	右导风口	RIGHT GUIDE TUYERE	1	
F15-25	65673L430000	左油箱护板内装饰板	LEFT INNER DECORATIVE PLATE	1	
F15-26	65674L430000	右油箱护板内装饰板	RIGHT INNER DECORATIVE PLATE	1	
F15-27	B0284060200A	不锈钢螺钉M6×20	SCREW M6×20	2	
F15-28	65406L43007Z	发动机左底罩带贴花	LEFT BOTTOM COVER,BLACK B2,U6,WITH STICKER	1	
F15-28	65406L43008Z	发动机左底罩带贴花	LEFT BOTTOM COVER,BLACK B2,RB,WITH STICKER	1	
F15-28	65406L43009Z	发动机左底罩带贴花	LEFT BOTTOM COVER,BLACK B2,N4,WITH STICKER	1	
F15-29	65407L43007Z	发动机右底罩带贴花	RIGHT BOTTOM COVER,BLACK B2,U6,WITH STICKER	1	
F15-29	65407L43008Z	发动机右底罩带贴花	RIGHT BOTTOM COVER,BLACK B2,RB,WITH STICKER	1	
F15-29	65407L43009Z	发动机右底罩带贴花	RIGHT BOTTOM COVER,BLACK B2,N4,WITH STICKER	1	
F15-30	65436L430000	左右底罩连接板	BOTTOM COVER CONNECT PLATE	1	
F15-31	B0284060250A	不锈钢螺钉M6×25	SCREW M6×25	2	
F15-32	65306L430000	导风口铁丝网	STEEL NET	2	
F15-33	65305L430000	油箱前护板装饰板铁丝网	STEEL NET	2	
F15-34	82038J800000	轴承夹	CLIP	10	
F15-35	50026L430000	油箱护板橡胶	T RUBBER	2	
F15-36	65627J410100	护板隔套	SPACER,SIDE COVER	2	
F15-37	B0284060200A	不锈钢螺钉M6×20	SCREW M6×20	2	
F15-38	65517J900001	大灯衬套	HEADLIGHT BRACKET BUSH	2	
F15-39	65438L430000	隔热锡箔纸	THERMAL STICKER	1	

F16 护板 SIDE COVER ASSY.



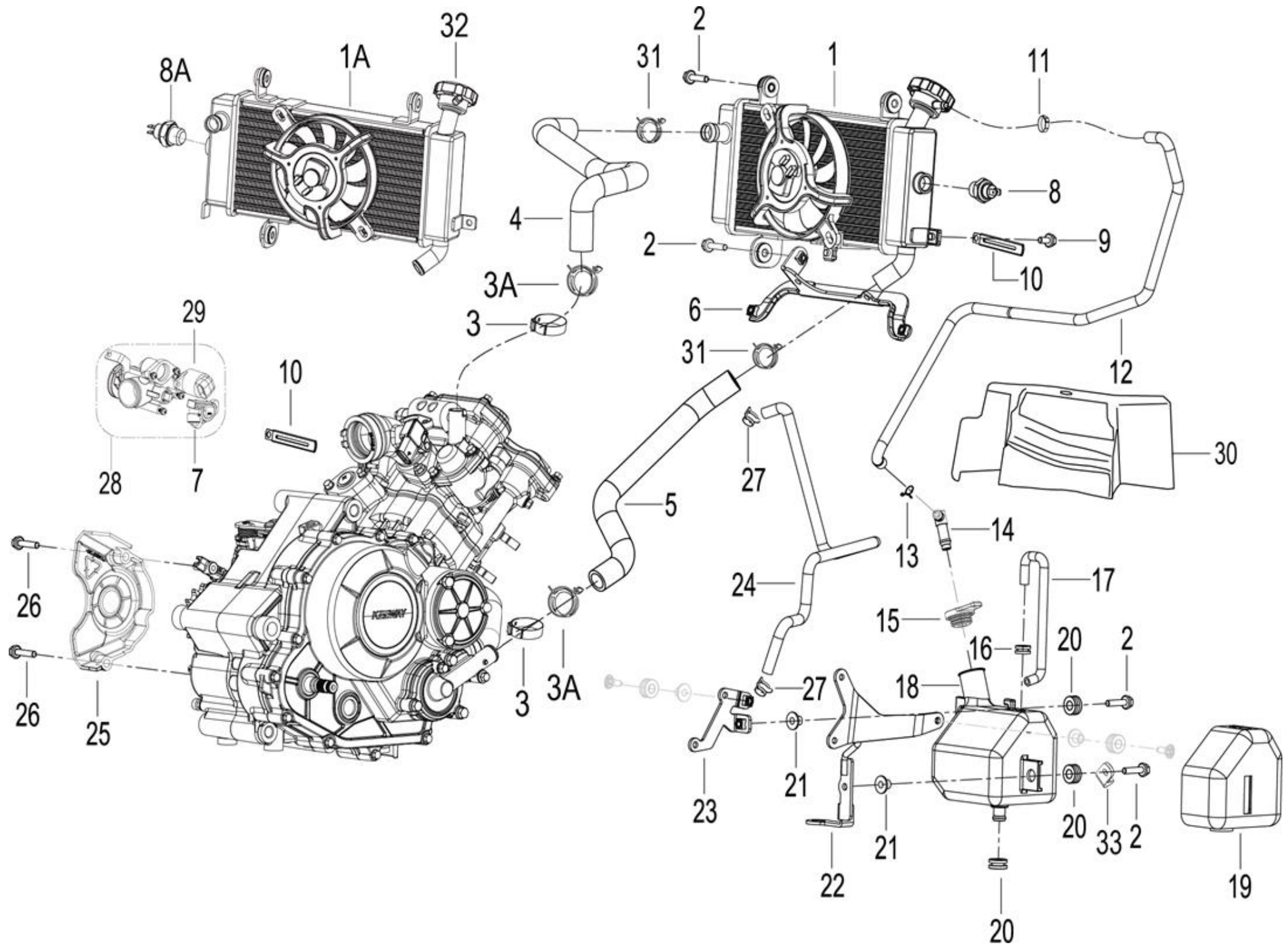
NO.	CODE	CN DESCRIPTION	EN DESCRIPTION	QTY	REMARKS
F16-01	65601L43001Z	左护板(珍珠黑B2)带贴花	LEFT SIDE COVER,BLACK B2,WITH STICKER	1	
F16-02	65602L43001Z	右护板((珍珠黑B2)带贴花	RIGHT SIDE COVER,BLACK B2,WITH STICKER	1	
F16-03	B0284060250A	不锈钢螺钉M6×25	SCREW M6×25	2	
F16-04	65517J900001	大灯衬套	HEADLIGHT BRACKET BUSH	4	
F16-05	65616L430000	护板橡胶垫	RUBBER CUSHION	4	
F16-06	65621L430000	左护板装饰板	LEFT SIDE COVER DECORATIVE PLATE	1	
F16-07	65623L430000	右护板装饰板	RIGHT SIDE COVER DECORATIVE PLATE	1	
F16-08	08012P160000	不锈钢螺栓M5×16	SCREW M5×16	4	
F16-09	65801T850100	卡片ST4.2	INSERT ST4.2	6	
F16-10	65901L43018Z	左后尾罩(珍珠黑B2)带贴花	LEFT TAIL COVER,BLACK B2,U6,WITH STICKER	1	
F16-10	65901L43019Z	左后尾罩(珍珠黑B2)带贴花	LEFT TAIL COVER,BLACK B2, RB-N4,WITH STICKER	1	
F16-11	65902L43018Z	右后尾罩(珍珠黑B2)带贴花	RIGHT TAIL COVER,BLACK B2,U6,WITH STICKER	1	
F16-11	65902L43019Z	右后尾罩(珍珠黑B2)带贴花	RIGHT TAIL COVER,BLACK B2, RB-N4,WITH STICKER	1	
F16-12	50018G530000	橡胶套	RUBBER SLEEVE	2	
F16-13	65606L43B200	左右后尾罩联接板(珍珠黑B2)	TAIL COVER CONNECT PLATE,BLACK B2,U6-N4-RB	1	
F16-14	51100L430000	前座垫组件	FRONT SEAT	1	
F16-15	51200L430100	后座垫组件	REAR SEAT	1	
F16-16	82038J800000	轴承夹	CLIP	4	
F16-17	65307L430000	后尾罩铁丝网	STEEL NET	2	
F16-18	B0284060200A	不锈钢螺钉M6×20	SCREW M6×20	4	
F16-19	B0507420101H	自攻螺钉ST4.2×10	TAPPING SCREW ST4.2×10	2	
F16-20	B02810602562	螺钉M6×25-8.8-ZG	SCREW M6×25	2	

F17 后挡泥板 REAR FENDER ASSY



NO.	CODE	CN DESCRIPTION	EN DESCRIPTION	QTY	REMARKS
F17-01	65731L430000	后挡泥板前部	REAR FENDER FORESIDE	1	
F17-02	B0109060126H	螺栓M6×12	BOLT M6×12	2	
F17-03	65625J560000	卡片螺母M6	CLIP NUT M6	2	
F17-04	08012P160000	不锈钢螺栓M5×16	SCREW M5×16	4	
F17-05	65624P160000	卡螺母M5	CARD NUT M5	4	
F17-06	82000L430000	后尾灯	TAIL LIGHT	1	
F17-07	65713H160000	后挡泥板橡胶垫I	RUBBER SLEEVE I	1	
F17-08	65770L43CJ00	后挡泥板支架焊接组件	REAR FENDER BRACKET,SILVER CJ	1	
F17-09	B01090602065	螺栓M6×20	BOLT M6×20	2	
F17-10	65711L430000	后上泥板隔套	REAR FENDER UPPER SPACER	4	
F17-11	65701V020000	后挡泥板	REAR FENDER	1	
F17-12	82900B470002	牌照灯	REAR LICENSE PLATE LIGHT	1	
F17-13	B0500420160H	自攻螺钉ST4.2×16	TAPPING SCREW ST4.2×16	1	
F17-14	B0284060250A	不锈钢螺钉M6×25	SCREW M6×25	4	
F17-15	08252V020000	后牌照安装板	REAR LICENSE FIXING PLATE	1	
F17-16	58507K670000	中撑缓冲块	BUFFER BLOCK MAIN STAND	1	
F17-17	86500V020000	后反射体组件	REAR REFLECTOR	1	
F17-18	81500L430000	后左转向灯	REAR LEFT TURN SIGNAL LIGHT	1	
F17-19	81700L430000	后右转向灯	REAR RIGHT TURN SIGNAL LIGHT	1	
F17-20	B0507420130H	自攻螺钉ST4.2×13	TAPPING SCREW ST4.2×13	2	
F17-21	65801T850100	卡片ST4.2	INSERT ST4.2	2	

F18 散热系统 RADIATOR SYSTEM ASSY.



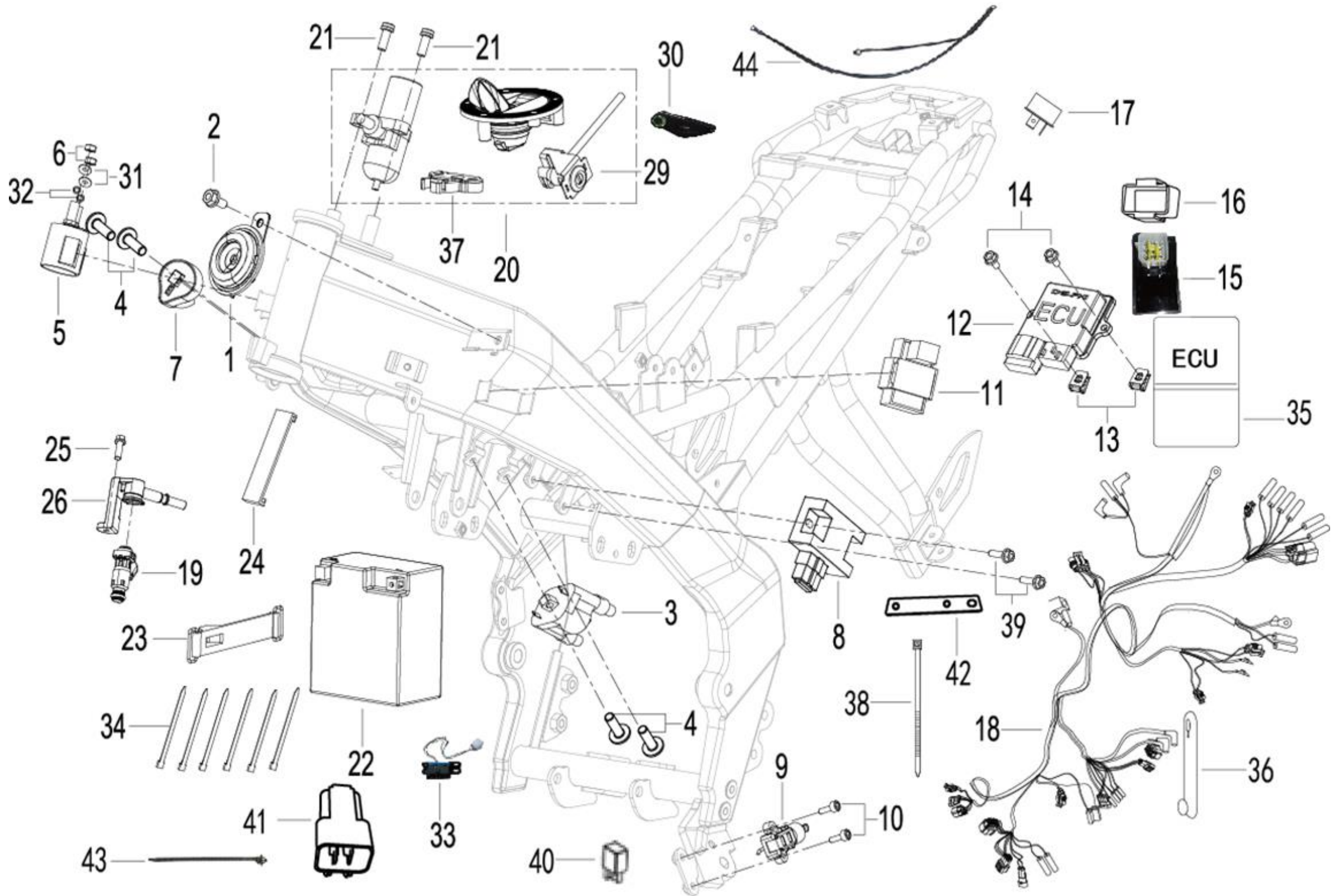


NO.	CODE	CN DESCRIPTION	EN DESCRIPTION	QTY	REMARKS
F18-01A	279124460040	水箱组件	RADIATOR ASSY	1	start vin LBBU32012KBA14659; for water temperature switch 98°C
F18-02	B0109060256H	螺栓M6×25	BOLT M6×25	4	
F18-03	06106P250000	卡箍27.1-706R	CLAMP 27.1-706R	2	
F18-03A	06103N300100	水管板式卡箍φ27	CLAMP 27,BLACK	2	start vin LBBU32019LBB76998
F18-04	06211L430000	散热器进水管	INLET HOSE	1	
F18-05	06251L430000	散热器出水管	OUTLET HOSE	1	
F18-06	59510L430000	水箱下固定座	RADIATOR LOWER FIXING PLATE	1	
F18-07	280756030001	节气门位置传感器	THROTTLE POSITION SENSOR	1	
F18-08A	279115050000	出水温度开关组件98°C	WATER TEMPERATURE SWITCH 98°C	1	start vin LBBU32012KBA14659, 98°C
F18-08A	279115050003	出水温开关组件98°C(防水插件)	OUTLET COOLANT TEMPERATURE SWITCH 98°C,WITH WATERPROOF SOCKET	1	start vin PRSB150SCPA057307
F18-09	B0109060126H	螺栓M6×12	BOLT M6×12	1	
F18-10	58430J000000	线夹组件	CLIP	2	
F18-11	50306J690000	卡箍13.3-706R	WIRE CLAMP Φ12.5	1	
F18-12	06223L430000	散热器溢流管	OVER FLOW PIPE	1	
F18-13	B17010110003	钢丝卡箍Φ11	WIRE CLAMP Φ11	1	
F18-14	14039S040000	水管	GUIDE TUBE	1	
F18-15	14030S040000	副水箱盖	VICE WATER TANK COVER	1	
F18-16	43038P250000	前转向灯支架橡胶套	RUBBER BUSH	1	
F18-17	06107L430000	膨胀水壶溢流管	COOLANT RESERVE TANK OVER FLOW PIPE	1	
F18-18	06111L430000	膨胀水壶	INFLATION KETTLE	1	
F18-19	06113L430000	膨胀水壶保护套	INFLATION KETTLE PROTECT JACKET	1	
F18-20	65616L430000	护板橡胶垫	RUBBER CUSHION	2	
F18-21	65517J900001	大灯衬套	HEADLIGHT BRACKET BUSH	2	
F18-22	65560L430000	右下导流罩前安装板组件	RIGHT COWLING FRONT FIXING PLATE	1	
F18-23	65550L430000	左下导流罩前安装板组件	LEFT COWLING FRONT FIXING PLATE	1	
F18-24	06226P250000	溢流管	OVER FLOW PIPE	1	
F18-25	16904441BY01	左后盖组件(哑黑)	LEFT REAR COVER ASSY,MATT BLACK	1	
F18-26	B0107060286H	螺栓M6×28	BOLT M6×28	2	
F18-27	49016N250000	气压平衡管卡箍Φ15.5×10×1	CLIP Φ15.5×10×1	2	

NO.	CODE	CN DESCRIPTION	EN DESCRIPTION	QTY	REMARKS
F18-28	289004320030	节流阀体分总成	THROTTLE BODY ASSY	1	
F18-29	280024320000	步进电机	STEPPER MOTOR	1	
F18-30	06203L430001	散热器隔热橡胶	RUBBER	1	
F18-31	06104N220001	水管卡箍Φ24×12×1.5	CLIP Φ24×12×1.5	2	
F18-32	279185050000	加水口盖分组件(银色)	CAP,WATER TANK,SILVER	1	
F18-33	43070J670010	离合器线夹组件	WIRE CLIP	1	



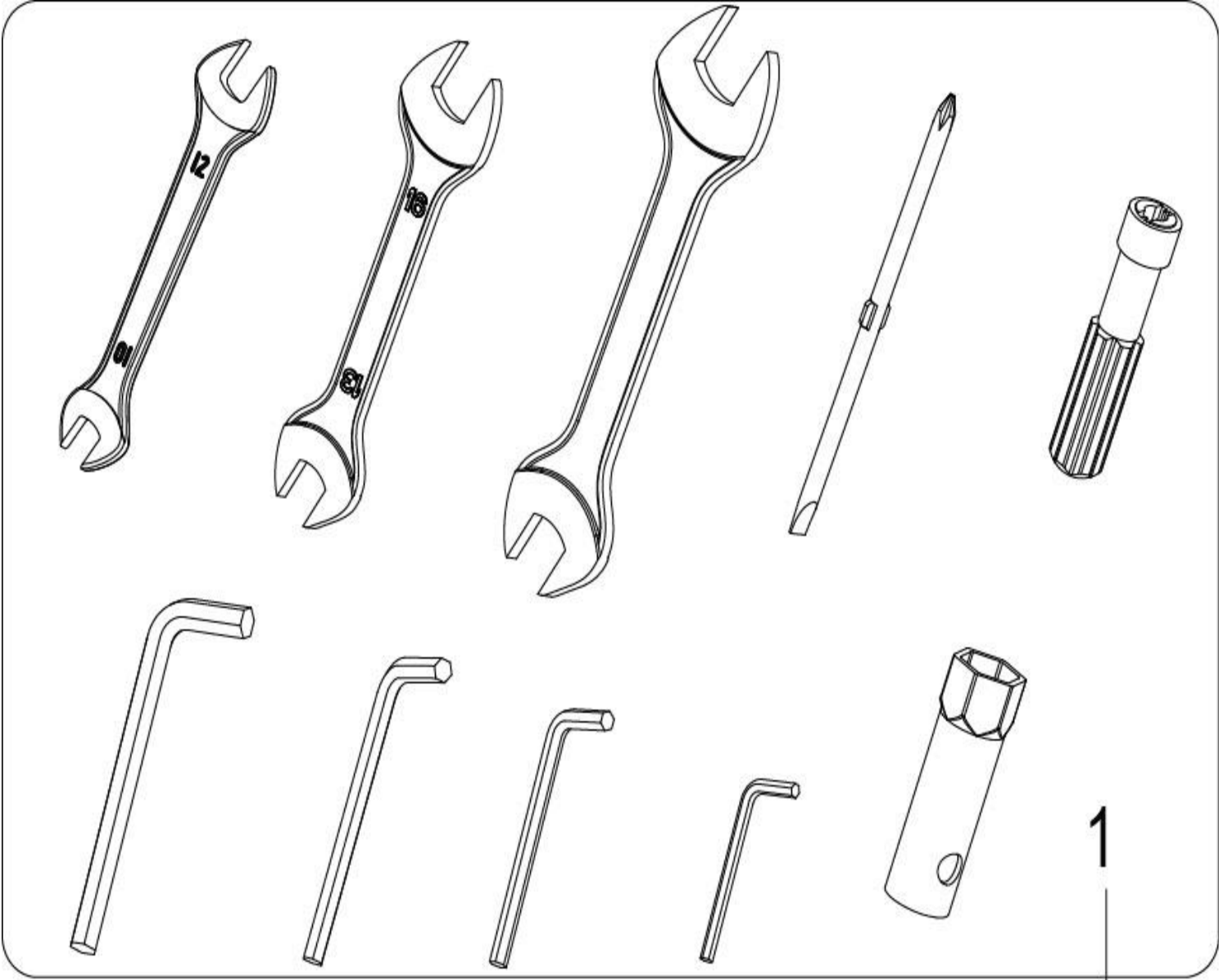
F19 电器 ELECTRICAL EQUIPMENT ASSY.



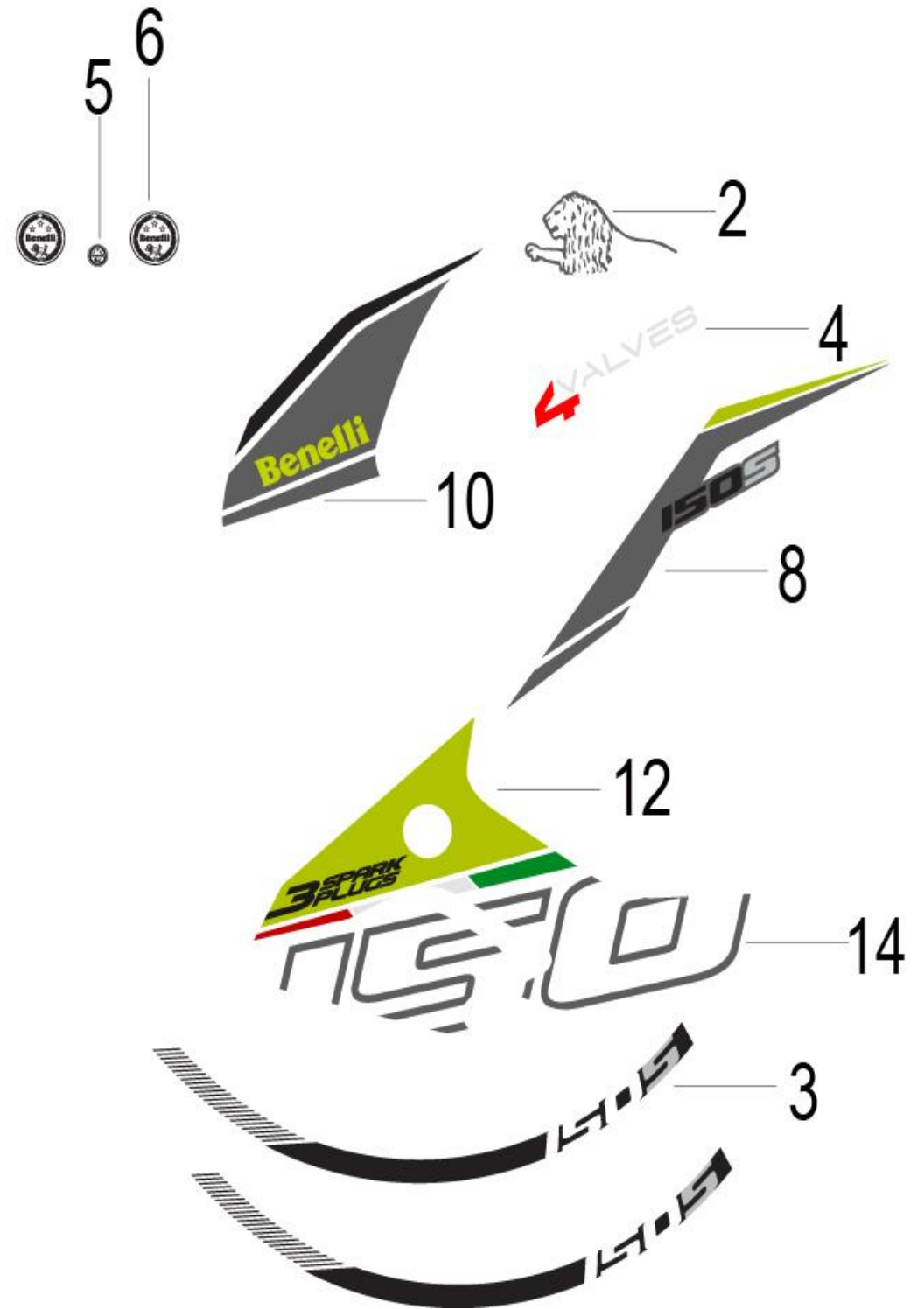
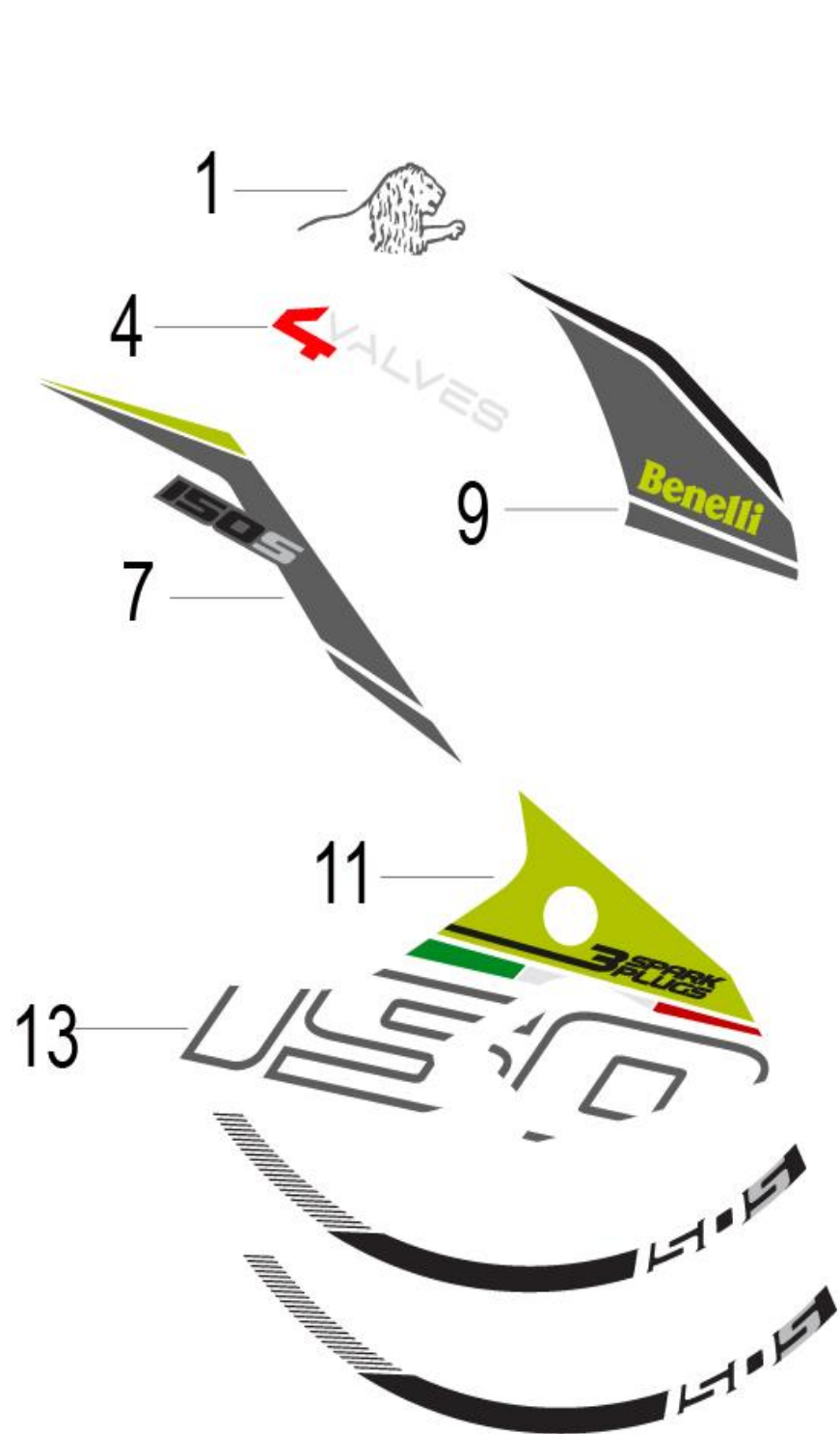
NO.	CODE	CN DESCRIPTION	EN DESCRIPTION	QTY	REMARKS
F19-01	95100T750000	喇叭	HORN	1	
F19-02	B0109060126H	螺栓M6×12	BOLT M6×12	1	
F19-03	96200U320000	高压包(两输出)	IGNITION COIL	1	
F19-04	08012P160000	不锈钢螺栓M5×16	SCREW M5×16	4	
F19-05	94100T850000	继电器	STARTER RELAY	1	
F19-06	B0400060005H	螺母M6	NUT M6	2	
F19-07	96200V030000	高压包	IGNITION COIL	1	
F19-08	299064010000	整流器	RECTIFIER.	1	
F19-09	91170N070100	单撑熄火开关	SIDE STAND SWITCH	1	
F19-10	B0205050166H	内六角螺钉M5×16	SCREW M5×16	2	
F19-11	94400N140000	大灯继电器控制器	HEADLIGHT RELAY CONTROLLER	1	
F19-12	96C00P100J01	ECU	ECU	1	
F19-13	65625J560000	卡片螺母M6	CLIP NUT M6	2	
F19-14	B0109060166H	螺栓M6×16	BOLT M6×16	2	
F19-15	96400H390001	闪光器	FLASHER	1	
F19-16	96007B720001	点火器套	JACKET,FLASHER	1	
F19-17	96700K060000	启动二极管	START DIODE	2	
F19-18	92000L430002	电缆总成(大灯常亮带警示)	MAIN WIRE HARNESS	1	before Vin LBBU32019LBB76998
F19-18	92000L430006	电缆总成(大灯常亮带警示)	MAIN WIRE HARDNESS	1	start Vin LBBU32019LBB76998
F19-18	92000L43000K	电缆总成(大灯常亮带警示)新布线 出水温开关带防水插件	MAIN WIRE HARNESS,COOLANT TEMPERATURE SWITCH WITH WATERPROOF SOCKET	1	start vin PRSB150SCPA057307
F19-19	289035210000	喷油器	FUEL INJECTOR	1	
F19-20	88000L430000	套锁(BENELLI)	LOCK ASSY	1	
F19-21	B0207080168H	内六角盘头螺钉M8×16	SCREW M8×16	2	
F19-22	96100V030000	蓄电池	BATTERY	1	
F19-23	02200J0000A0	电瓶带组件	BATTERY BELT ASSY	1	
F19-24	96004W020010	绑带	BAND	1	
F19-25	B0205050166H	内六角螺钉M5×16	SCREW M5×16	1	
F19-26	289044460000	喷油器支座	INJECTION HOUSING	1	
F19-29	88800P250000	座垫锁	SEAT LOCK	1	
F19-30	88900L43090X	钥匙毛坯	KEY NUT	1	

NO.	CODE	CN DESCRIPTION	EN DESCRIPTION	QTY	REMARKS
F19-31	B0702000060H	垫圈φ6	WASHER 6	2	
F19-32	B0700000060H	弹簧垫圈φ6	SPRING WASHER 6	2	
F19-33	92940P100000	OBD加线	OBD WIRE	1	
F19-34	40098B450000	绑扎带3×150	BAND 3×150	16	
F19-35	96C21L290000	ECU防水罩	ECU WATERPROOF COVER	1	
F19-36	96003P250000	软线夹	RUBBER CLIP	1	
F19-37	58800P250000	座垫锁座(后)	BASE SEAT LOCK REAR	1	
F19-38	96003J000000	绑带250mm	BAND 250MM	5	
F19-39	B01090602065	螺栓M6×20	BOLT M6×20	2	
F19-40	94100J800000	控制小继电器 (矮座)	RELAY	2	
F19-42	58790L430000	整流器安装座	RECTIFIER FIXING BOARD	1	
F19-43	96001N350000	绑带	BAND	1	
F19-44	92500L430000	搭铁线	EARTH WIRE	1	

F20 随车工具 TOOL KIT ASSY.

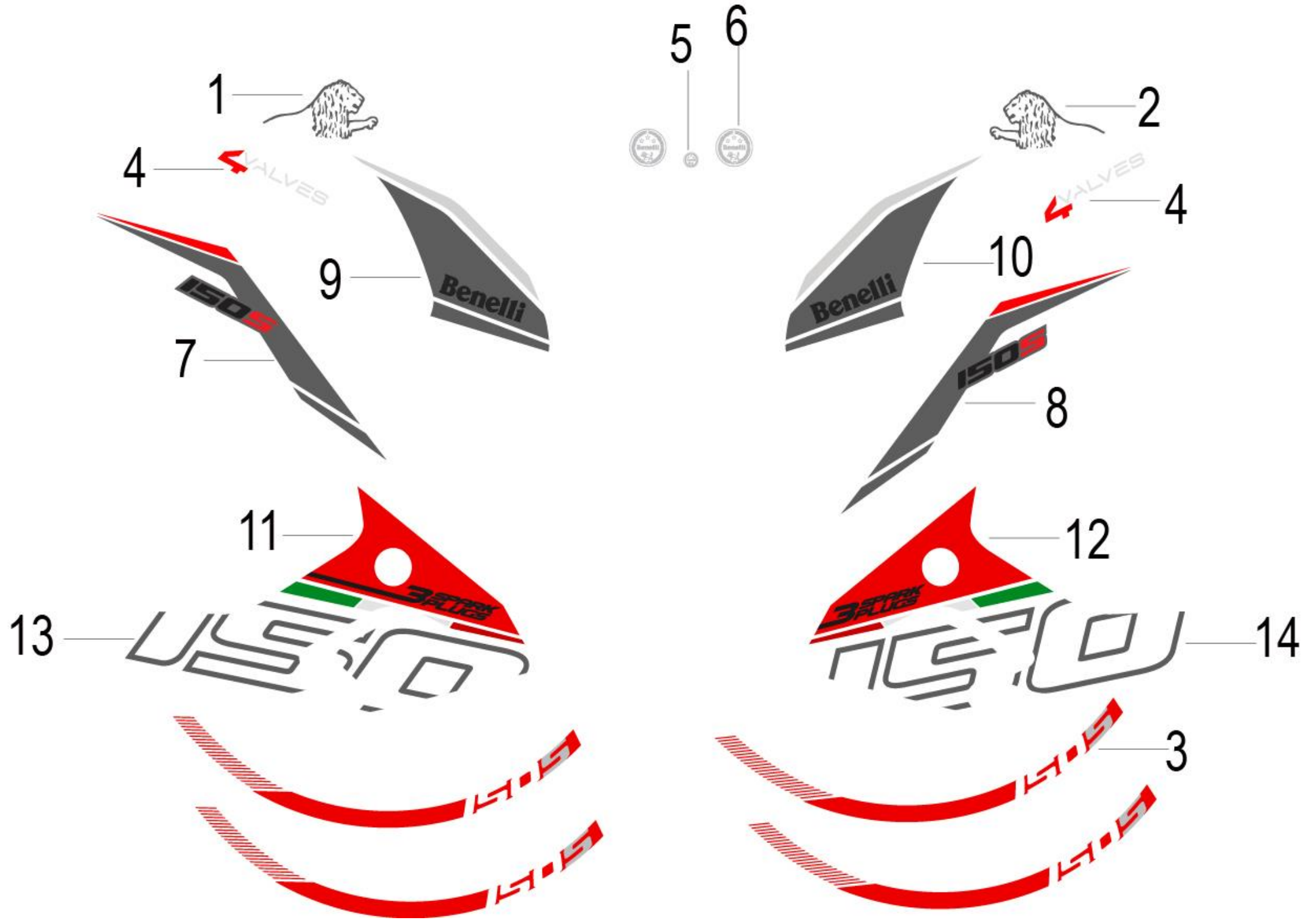


NO.	CODE	CN DESCRIPTION	EN DESCRIPTION	QTY	REMARKS
F20-01	02100B420000	随车工具	TOOL KIT ASSY	1	



NO.	CODE	CN DESCRIPTION	EN DESCRIPTION	QTY	REMARKS
F26-01	05535M620001	右油箱护板后部贴花	STICKER,FUEL TANK SIDE COVER,RIGHT,REAR,U6	1	
F26-02	05534M620001	左油箱护板后部贴花	STICKER,FUEL TANK SIDE COVER,LEFT,REAR,U6	1	
F26-03	05582L43U601	轮圈贴花	RIM STICKER,U6	4	
F26-04	05511M620001	左右护板贴花	STICKER,LEFT&RIGHT SIDE COVER,U6	2	
F26-05	05501M62U601	前挡泥板前贴花	STICKER,FRONT FENDER,U6	1	
F26-06	05533M62U601	左右油箱护板前部贴花	BENELLI STICKER,U6	2	
F26-07	05572L43U601	右后尾罩贴花	150S STICKER,RIGHT TAIL COVER,U6	1	
F26-08	05571L43U601	左后尾罩贴花	150S STICKER,LEFT TAIL COVER,U6	1	
F26-09	05532M62U601	左右油箱护板前部贴花	FUEL TANK RIGHT FRONT STICKER,U6	1	
F26-10	05531M62U601	油箱左前护板贴花	FUEL TANK LEFT FRONT STICKER,U6	1	
F26-11	05542M62U601	发动机右底罩贴花	STICKER,RIGHT BOTTOM COVER,U6	1	
F26-12	05541M62U601	发动机左底罩贴花	STICKER,LEFT BOTTOM COVER,U6	1	
F26-13	05543L43U601	发动机右底罩下贴花	150 STICKER,ENGINE RIGHT UNDER COVER,U6	1	
F26-14	05542L43U601	发动机左底罩下贴花	150 STICKER,ENGINE LEFT UNDER COVER,U6	1	

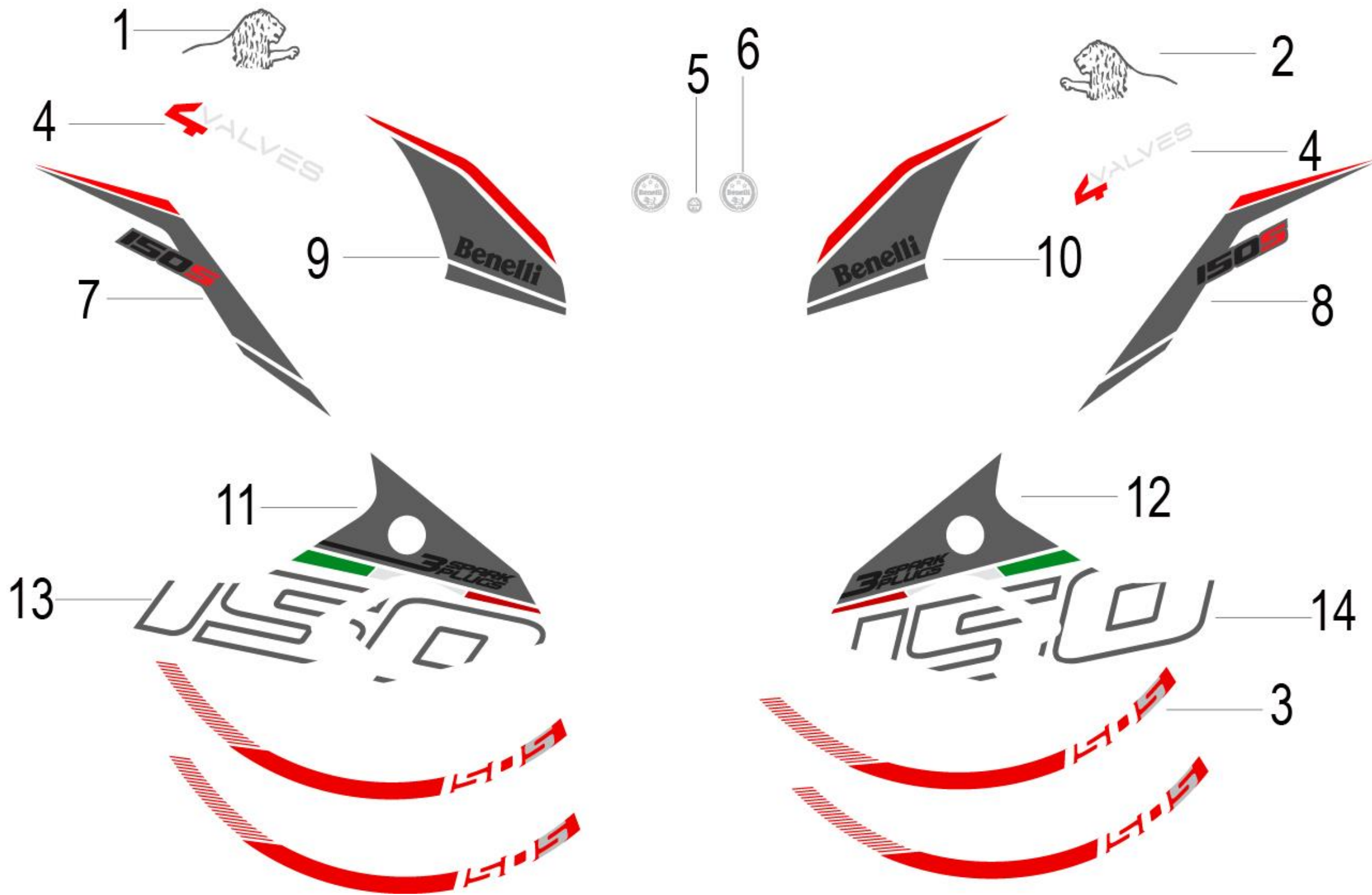






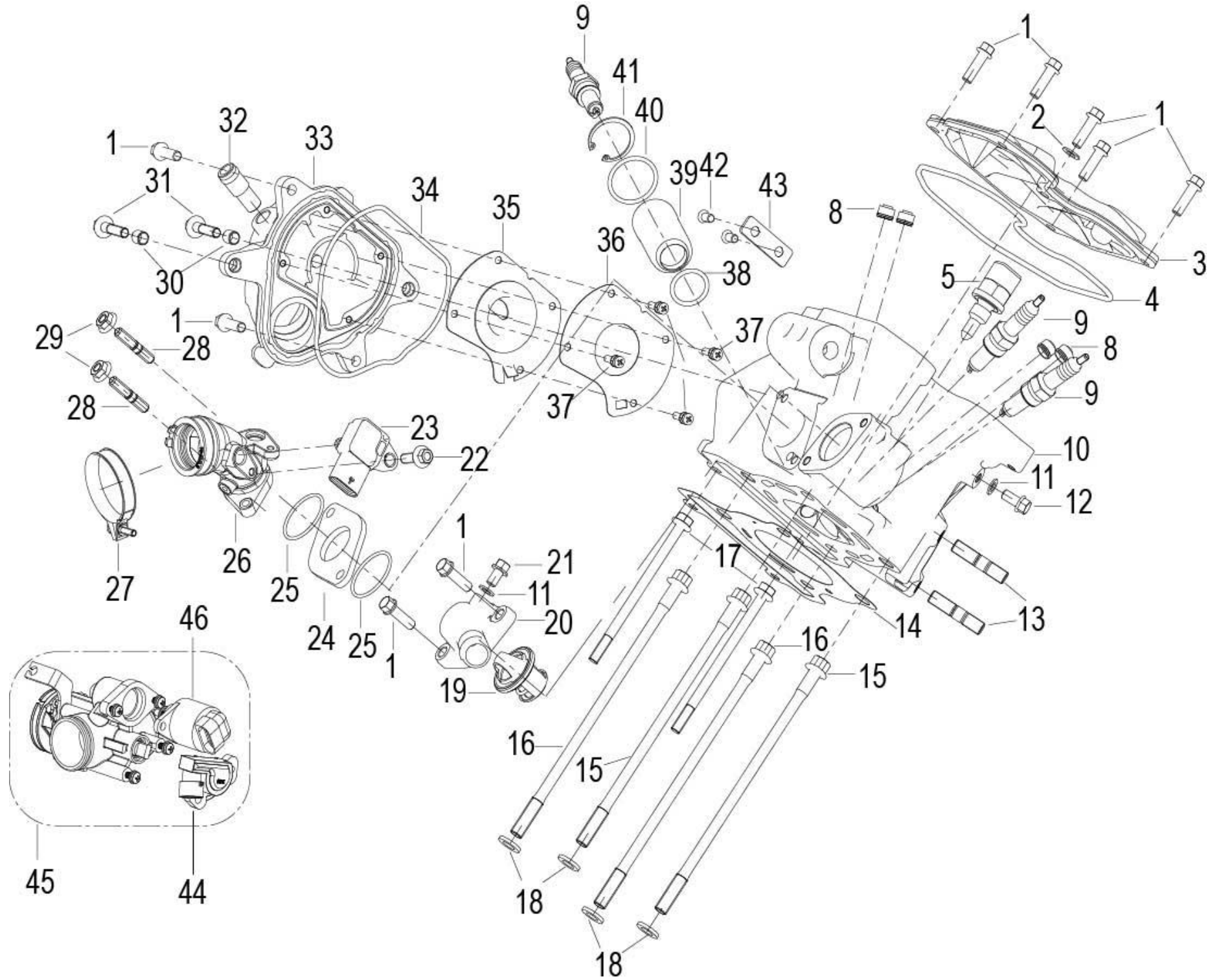
NO.	CODE	CN DESCRIPTION	EN DESCRIPTION	QTY	REMARKS
F27-01	05535M620001	右油箱护板后部贴花	STICKER,FUEL TANK SIDE COVER,RIGHT,REAR,RB	1	
F27-02	05534M620001	左油箱护板后部贴花	STICKER,FUEL TANK SIDE COVER,LEFT,REAR,RB	1	
F27-03	05582L43RB01	轮圈贴花	RIM STICKER,RB	4	
F27-04	05511M620001	左右护板贴花	STICKER,LEFT&RIGHT SIDE COVER,RB	2	
F27-05	05501M62RB01	前挡泥板前贴花	STICKER,FRONT FENDER,RB	1	
F27-06	05533M62RB01	左右油箱护板前部贴花	BENELLI STICKER,RB	2	
F27-07	05572L43RB01	右后尾罩贴花	150S STICKER,RIGHT TAIL COVER,RB	1	
F27-08	05571L43RB01	左后尾罩贴花	150S STICKER,LEFT TAIL COVER,RB	1	
F27-09	05532M62RB01	左右油箱护板前部贴花	FUEL TANK RIGHT FRONT STICKER,RB	1	
F27-10	05531M62RB01	油箱左前护板贴花	FUEL TANK LEFT FRONT STICKER,RB	1	
F27-11	05542M62RB01	发动机右底罩贴花	STICKER,RIGHT BOTTOM COVER,RB	1	
F27-12	05541M62RB01	发动机左底罩贴花	STICKER,LEFT BOTTOM COVER,RB	1	
F27-13	05543L43U601	发动机右底罩下贴花	150 STICKER,ENGINE RIGHT UNDER COVER,RB	1	
F27-14	05542L43U601	发动机左底罩下贴花	150 STICKER,ENGINE LEFT UNDER COVER,RB	1	

F28 贴花 STICKER, FOR BLACK N4 VEHICLE



NO.	CODE	CN DESCRIPTION	EN DESCRIPTION	QTY	REMARKS
F28-01	05535M620001	右油箱护板后部贴花	STICKER,FUEL TANK SIDE COVER,RIGHT,REAR,N4	1	
F28-02	05534M620001	左油箱护板后部贴花	STICKER,FUEL TANK SIDE COVER,LEFT,REAR,N4	1	
F28-03	05582L43RB01	轮圈贴花	RIM STICKER,N4	4	
F28-04	05511M620001	左右护板贴花	STICKER,LEFT&RIGHT SIDE COVER,N4	2	
F28-05	05501M62WF01	前挡泥板前贴花	STICKER,FRONT FENDER,N4	1	
F28-06	05533M62WF01	左右油箱护板前部贴花	BENELLI STICKER,N4	2	
F28-07	05572L43RB01	右后尾罩贴花	150S STICKER,RIGHT TAIL COVER,N4	1	
F28-08	05571L43RB01	左后尾罩贴花	150S STICKER,LEFT TAIL COVER,N4	1	
F28-09	05532M62N401	左右油箱护板前部贴花	FUEL TANK RIGHT FRONT STICKER,N4	1	
F28-10	05531M62N401	油箱左前护板贴花	FUEL TANK LEFT FRONT STICKER,N4	1	
F28-11	05542M62N401	发动机右底罩贴花	STICKER,RIGHT BOTTOM COVER,N4	1	
F28-12	05541M62N401	发动机左底罩贴花	STICKER,LEFT BOTTOM COVER,N4	1	
F28-13	05543L43U601	发动机右底罩下贴花	150 STICKER,ENGINE RIGHT UNDER COVER,N4	1	
F28-14	05542L43U601	发动机左底罩下贴花	150 STICKER,ENGINE LEFT UNDER COVER,N4	1	

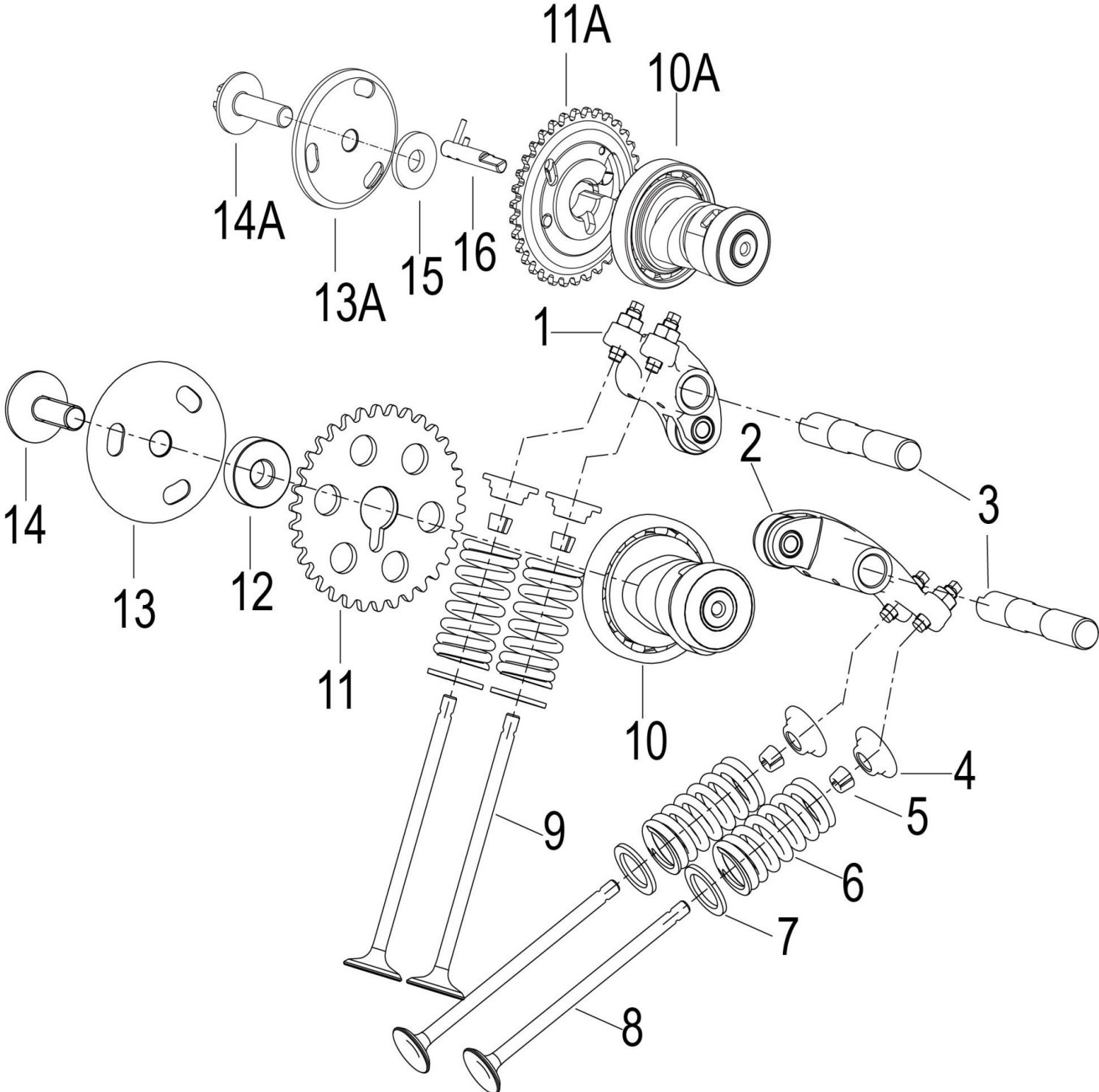
E01 气缸盖、气缸盖罩分总成 CYLINDER HEAD



NO.	CODE	CN DESCRIPTION	EN DESCRIPTION	QTY	REMARKS
E01-01	B0107060206H	六角法兰面螺栓M6×20	BOLT M6×20	9	
E01-02	150013070000	垫圈6	WASHER 6	1	
E01-03	109014470010	气缸盖罩(钱江灰)	CYLINDER HEAD COVER COMP,GREY	1	
E01-04	109024460000	缸盖罩密封圈	RUBBER SEALS	1	
E01-05	280596090000	水温传感器	COOLANT TEMPERATURE SENSOR	1	
E01-08	120015090000	气门油封组件	VALVE STEM SEAL	4	
E01-09	AC-005-1201-0009	火花塞	SPARK PLUG (NGK CR8E)	3	
E01-10	109054460010	气缸盖机加工组件(钱江灰)	CYLINDER HEAD ASSY,GREY (157MJ-3)	1	
E01-11	150013070000	垫圈6	WASHER 6	2	
E01-12	B01070601263	六角法兰面螺栓M6×12	BOLT M6×12	1	
E01-13	B0300080206H	螺柱M8×20	STUDS M8×20	2	
E01-14	109074460000	气缸盖密封垫 (三层)	CYLINDER HEAD GASKET (3 LAYERS)	1	start vin LBBU32016KBA63976
E01-15	100084460000	气缸盖螺栓	CYLINDER HEAD BOLT	2	
E01-16	100014460000	气缸盖螺栓	CYLINDER HEAD BOLT	2	
E01-17	17001305011X	螺栓M6×100	BOLT M6×100	2	
E01-18	100054460000	垫片8	WASHER 8	4	
E01-19	279165050000	节温器	THERMOSTAT ASSY	1	
E01-20	100094460001	恒温器盖(钱江灰)	THERMOSTAT COVER,GREY	1	
E01-21	B0107060106H	螺栓M6×10	BOLT M6×10	1	
E01-22	B0107060186H	螺栓M6×18	BOLT M6×18	1	
E01-23	290016250000	进气温度压力传感器	TEMPERATURE SENSOR,INTAKE	1	
E01-24	109154460000	隔热垫	HEAT INSULATION BODY	1	
E01-25	B190103000A0	O形密封圈	O-RING	2	
E01-26	119014470000	进气管组件	INLET AIR DUCT	1	
E01-27	110043090004	卡箍组件	CLAMP ASSY	1	
E01-28	120073050020	短双头螺柱	STUD BOLT	2	
E01-29	B0407060005H	六角法兰面螺母M6	NUT M6	2	
E01-30	200086030000	定位销Φ8×8	DOWEL PIN Φ8×8	2	
E01-31	B0107060256H	六角法兰面螺栓M6×25	BOLT M6×25	2	
E01-32	150084230000	通气管	PIPE	1	

NO.	CODE	CN DESCRIPTION	EN DESCRIPTION	QTY	REMARKS
E01-33	100024460011	链轮盖(钱江灰)	CHAIN WHEEL COVER,GREY	1	
E01-34	100034460000	链轮盖密封圈	SEAL RING,CHAIN WHEEL COVER	1	
E01-35	100064460000	呼吸室盖分组件	BREATHING ROOM COVER	1	
E01-36	100434460000	密封纸垫	GASKET	1	
E01-37	B1308040100H	组合螺钉M4×10	SCREW W/WASHER M4×10	4	
E01-38	150283070000	O型圈	O-RING	1	
E01-39	100044460000	火花塞套	SPARK PLUG COVER	1	
E01-40	120202140000	O型密封圈	O-RING	1	
E01-41	B08000002800	孔用弹性挡圈	CIRCLIP	1	
E01-42	B0201050106H	十字槽沉头螺钉M5×10	SCREW M5×10	2	
E01-43	100074460000	摇臂轴挡板	BACK PLATE,ROCKER ARM SHAFT	1	
E01-44	280756030001	节气门位置传感器	THROTTLE POSITION SENSOR	1	
E01-45	289004320030	节流阀体分总成	THROTTLE BODY ASSY	1	
E01-46	280024320000	步进电机	STEPPER MOTOR	1	

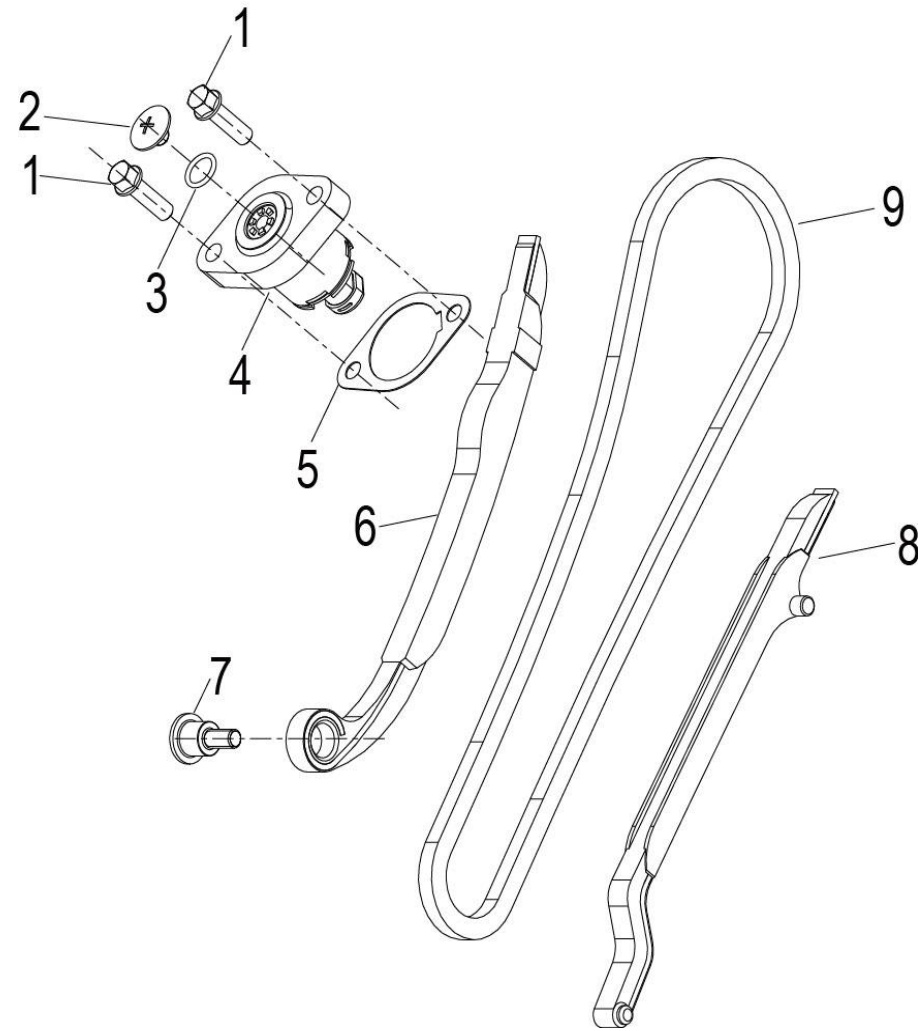
E02 配气机构分总成 VALVE MECHANISM SUB-ASSEMBLY





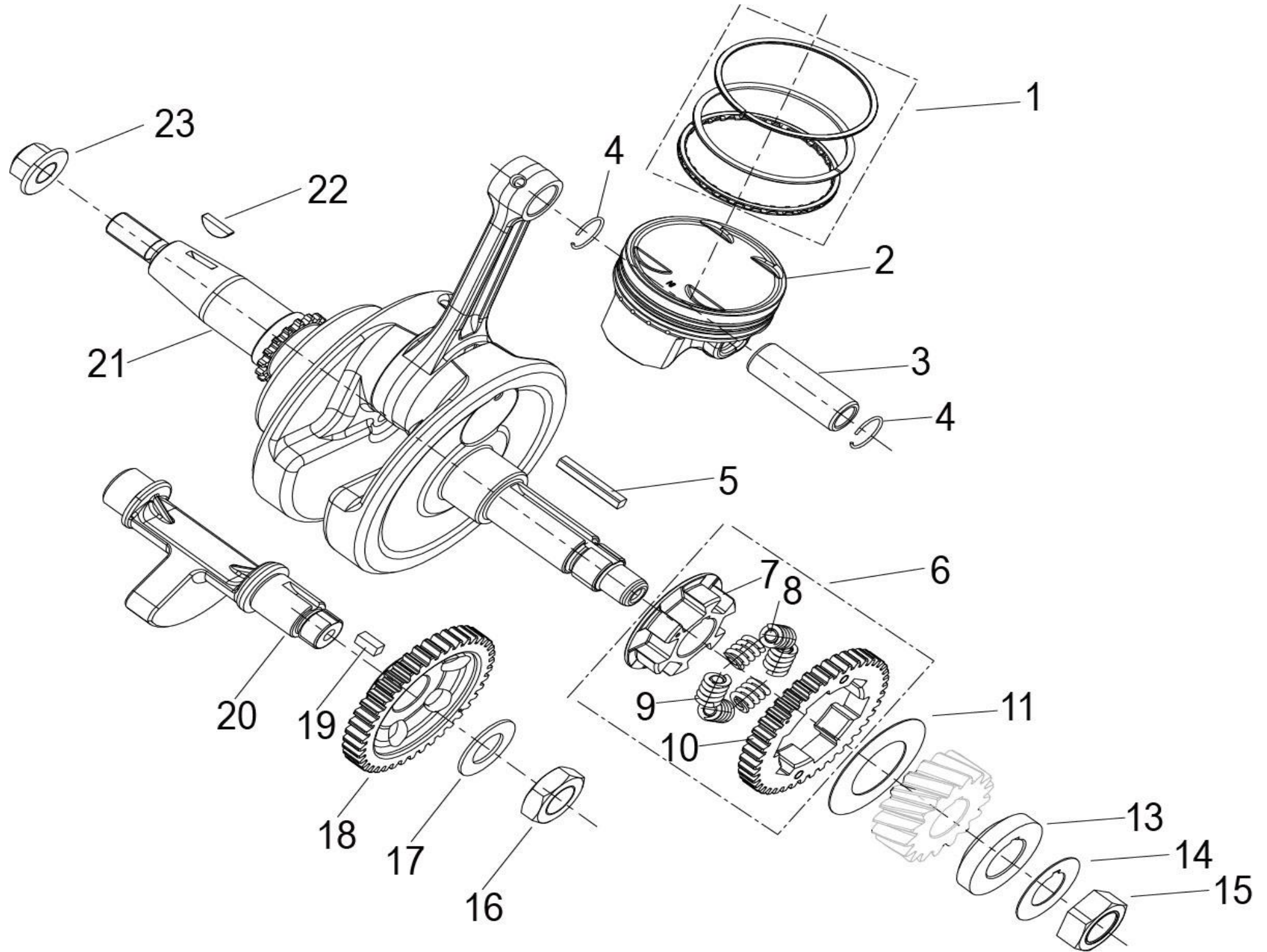
NO.	CODE	CN DESCRIPTION	EN DESCRIPTION	QTY	REMARKS
E02-01	129314460000	进气摇臂组件	INTAKE ROCKER ARM	1	
E02-02	129324460000	排气摇臂组件	EXHAUST ROCKER ARM	1	
E02-03	129164410000	摇臂轴	ROCKER ARM SHAFT	2	
E02-04	129202290000	气门弹簧盘	RETAINER,VALVE SPRING	4	
E02-05	129225090000	气门锁夹	VALVE COTTER	8	
E02-06	129254410000	气门弹簧	VALVE SPRING	4	
E02-07	129212290000	气门弹簧下座	VALVE LOWER SPRING SEAT	4	
E02-08	129194460000	排气门	EXHAUST VALVE	2	
E02-09	129184460000	进气门	INTAKE VALVE	2	
E02-10	129094460000	凸轮轴组件	CAMSHAFT ASSY.	1	
E02-10A	129094460030	凸轮轴组件	CAMSHAFT ASSY.SKf BEARING	1	start vin ZBNL43003KBB25016
E02-11	129034410000	凸轮轴从动链轮	SPROCKET	1	
E02-11A	120034410010	凸轮轴从动链轮组件	SPROCKET	1	start vin ZBNL43003KBB25016
E02-12	100424460000	垫片	RUBBER PLUG	1	
E02-13	100414460000	离心挡板	BAFFLE	1	
E02-13A	129264460000	离心挡板	BAFFLE	1	start vin ZBNL43003KBB25016
E02-14	120014410010	链轮螺栓	BOLT	1	
E02-15	120054460000	垫片21×8.2×2.4	WASHER 21×8.2×2.4	1	start vin ZBNL43003KBB25016
E02-16	120044410010	减压销组件	REDUCED PRESSURE PINE	1	start vin ZBNL43003KBB25016

E03 正时传动机构分总成 STRAINER UNIT ASSEMBLY



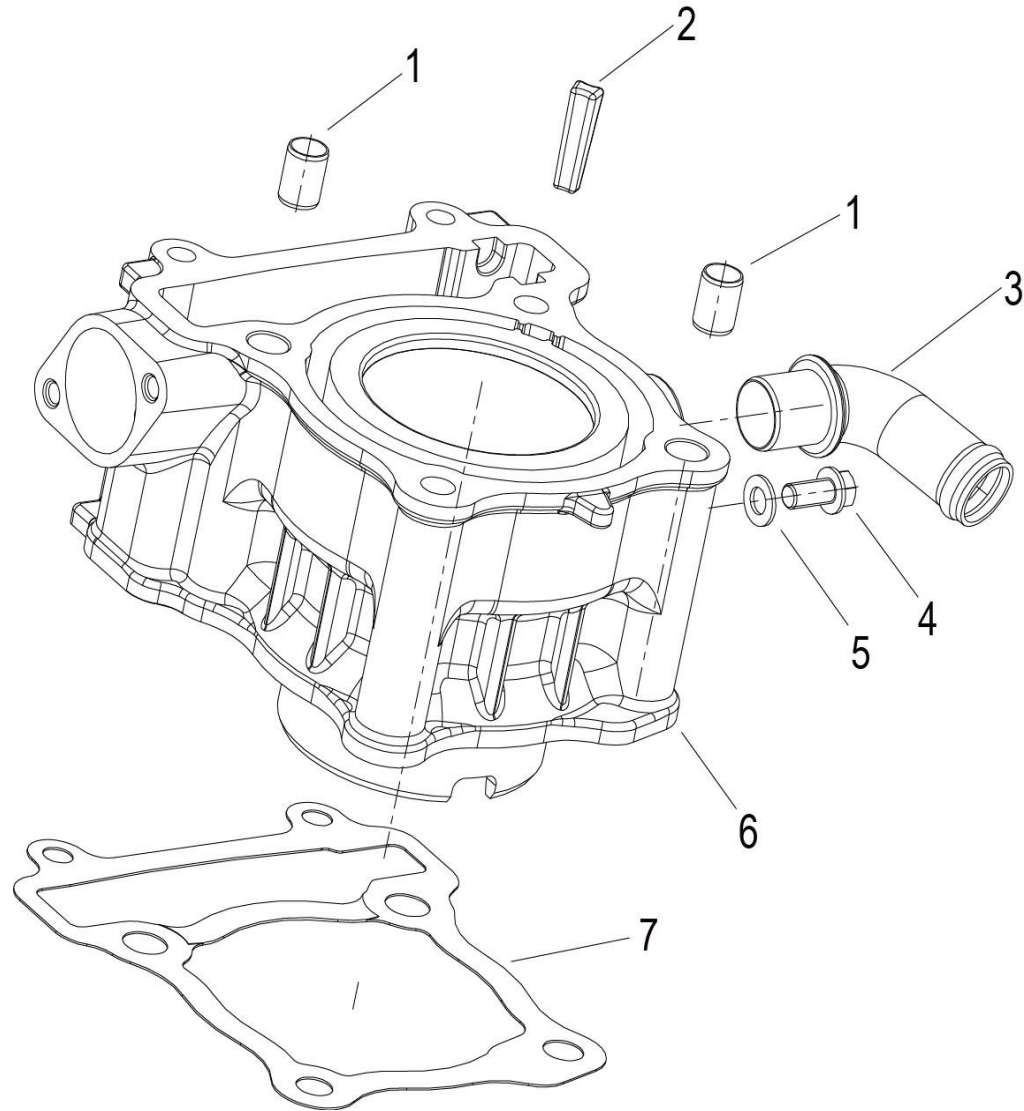
NO.	CODE	CN DESCRIPTION	EN DESCRIPTION	QTY	REMARKS
E03-01	B0107060206H	六角法兰面螺栓M6×20	BOLT M6X20	2	
E03-02	14005305001X	堵钉	TENSIONER BOLT	1	
E03-03	210043050000	O型圈	O-RING	1	
E03-04	149033140080	张紧器(钱江灰)	TENSIONER ASSY, GREY	1	
E03-05	140013050040	分气链条调整垫片	GASKET	1	
E03-06	149014410000	主导链板	REAR CHAIN GUIDE ASSY.	1	
E03-07	140053630000	主导链板螺钉	PIVOT, CAM CHAIN TENSIONER	1	
E03-08	149024410000	副导链板组件	FRONT CHAIN GUIDE	1	
E03-09	140023140010	链条	OIL PUMP DRIVE CHAIN	1	

E04 活塞连杆曲轴平衡轴分总成 PISTON,CONNECTING ROD & CRANKSHAFT ASSY



NO.	CODE	CN DESCRIPTION	EN DESCRIPTION	QTY	REMARKS
E04-01	17009309003Z	活塞环组合	PISTON RING	1	
E04-02	179134410021	活塞	PISTON	1	
E04-03	149144100000	活塞销	PISTON PIN	1	
E04-04	179153090000	活塞销挡圈	PISTON PIN CLIP	2	
E04-05	B11120404028	平键	STRAIGHT KEY	1	
E04-06	179274410010	平衡轴齿轮组件	BALANCER GEAR ASSY	1	
E04-07	170034410010	驱动齿轮轴套	BUSH	1	
E04-08	170204410010	减震块	DAMPING BLOCK	6	
E04-09	170194410010	减震弹簧	DAMPING SPRING	6	
E04-10	179284410010	平衡轴驱动齿轮	BALANCE SHAFT DRIVE GEAR	1	
E04-11	170144410000	蝶形弹簧	DISC SPRING	1	
E04-13	269063090000	机油泵主动齿轮	OIL PUMP DRIVE GEAR	1	
E04-14	170023090000	锁紧垫片	LOCK WASHER	1	
E04-15	170013090100	螺母M16X1.5	NUT M16X1.5	1	
E04-16	170065150110	螺母M14X1	NUT M14X1	1	
E04-17	170024320000	锥型垫片	CONICAL WASHER	1	
E04-18	179264410000	平衡轴齿轮	BALANCE SHAFT GEAR	1	
E04-19	B11130040008	平键4×8	KEY 4×8	1	
E04-20	179254410000	平衡轴	BALANCE SHAFT	1	
E04-21	179014410000	曲轴连杆组件	CRANKSHAFT ASSY	1	
E04-22	B11810305013	半圆键	WOODRUFF KEY	1	
E04-23	260092140100	螺母 M10×1.25	NUT M10×1.25	1	

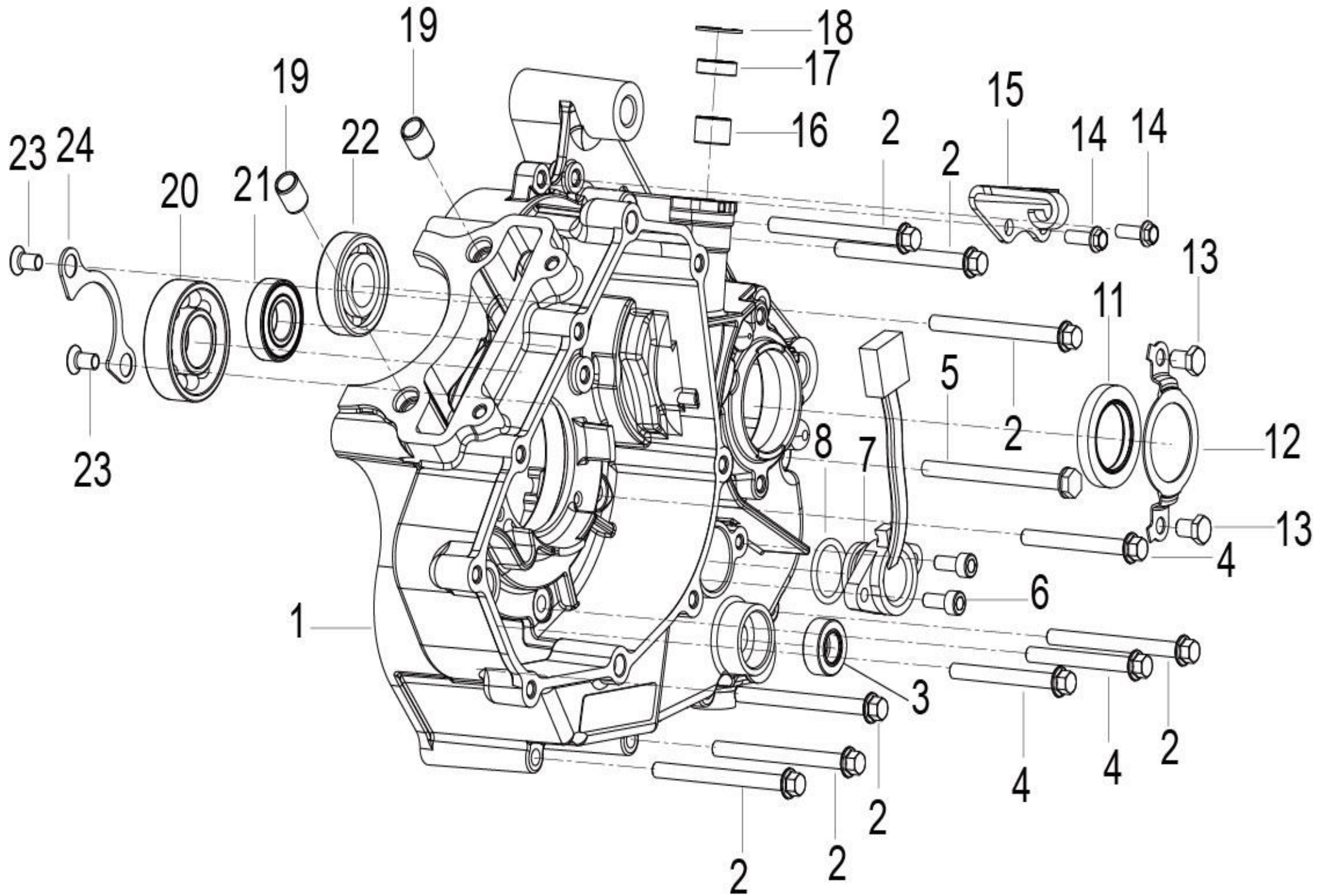
E05 气缸体分总成 CYLINDER ASSY



NO.	CODE	CN DESCRIPTION	EN DESCRIPTION	QTY	REMARKS
E05-01	150083070000	定位销	DOWEL PIN	2	
E05-02	139054410000	橡胶塞	RUBBER PLUG	1	
E05-03	279085150000	进水管	INLET HOSE	1	
E05-04	B01070601263	螺栓M6X12	BOLT M6X12	1	
E05-05	150013070000	垫圈6	WASHER 6	1	
E05-06	13901446HT01	气缸体组件(钱江灰)	CYLINDER COMP,GREY	1	
E05-07	139024410010	气缸体垫片	CYLINDER GASKET	1	



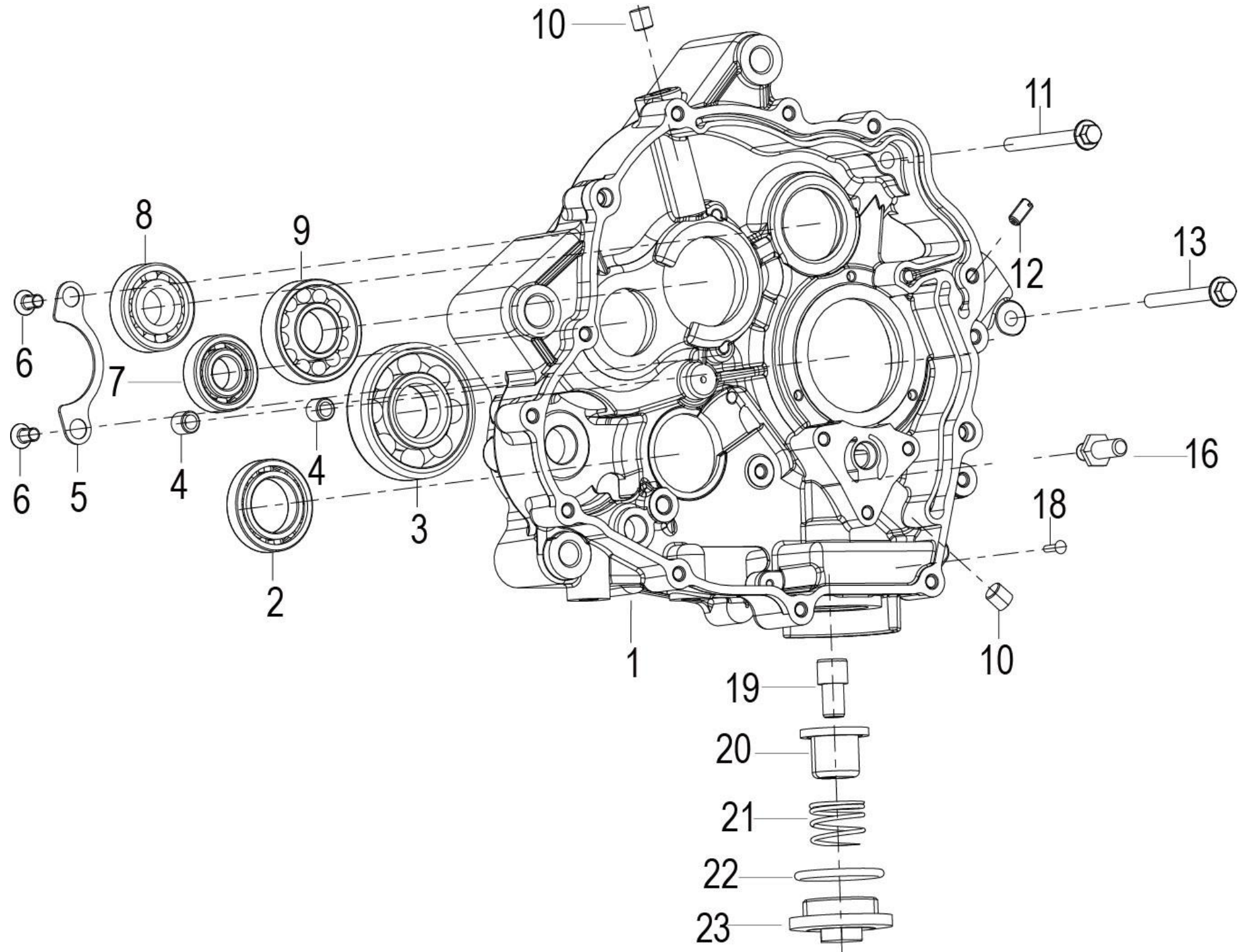
E06 左曲轴箱组件 LEFT CRANKCASE ASSY



NO.	CODE	CN DESCRIPTION	EN DESCRIPTION	QTY	REMARKS
E06-01	150024410010	左曲轴箱组件(钱江灰)	LEFT CRANKCASE ASSY,GREY	1	
E06-02	B0107060756H	螺栓M6X75	BOLT M6X75	7	
E06-03	210373090000	油封12X22X9	OIL SEA 12X22X9	1	
E06-04	B0107060606H	螺栓M6X60	BOLT M6X60	3	
E06-05	B0107060806H	螺栓M6X80	BOLT M6X80	1	
E06-06	B0205050166H	内六角圆柱头螺钉M5X16	SCREW M5X16	2	
E06-07	159124410000	档位传感器	GEARSHIFT SENSOR	1	
E06-08	B190102030B0	O型圈20.3x2.65	O-RING 20.3X2.65	1	
E06-11	210073090000	油封27x40x6	OIL SEAL 27X40X6	1	
E06-12	210093090000	油封盖	OIL SEAL COVER	1	
E06-13	B0103060106H	螺栓M6X10	BOLT M6X10	2	
E06-14	B0107060146H	内六角螺钉 M6X14	SCREW M6X14	2	
E06-15	159134410000	离合器接线导向支架	CLUTCH WIRE GUIDE BRACKET	1	
E06-16	B1212K121002	滚针轴承12x16x10	NEEDLE ROLLER BEARING 12X16X10	1	
E06-17	200001050000	分离杆油封	OIL SEAL	1	
E06-18	B080000020AA	孔用弹性挡圈20	CIRCLIP 20	1	
E06-19	130023090000	定位销	PIN	2	
E06-20	B12016020410	滚动轴承6204 (进口)	BALL BEARING 6204	1	
E06-21	B12016000204	深沟球轴承6002-Z	BEARING 6002-Z	1	
E06-22	B12016020314	滚动轴承6203	BALL BEARING 6203	1	
E06-23	B0201060126H	螺钉M6X12	SCREW M6X12	2	
E06-24	150113090000	挡片	BLOCK PLATE	1	

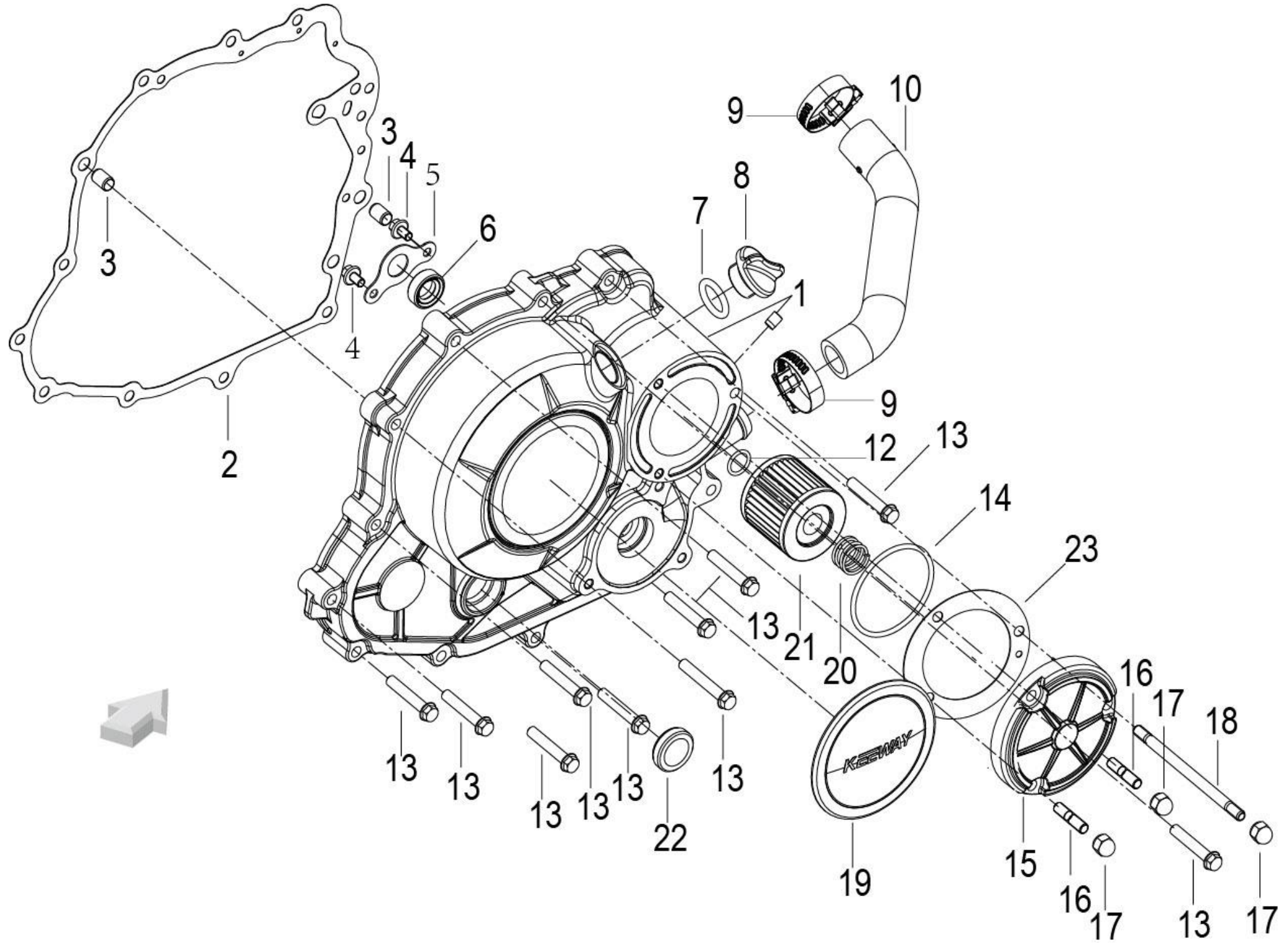


E07 右曲轴箱组件 RIGHT CRANKCASE ASSY



NO.	CODE	CN DESCRIPTION	EN DESCRIPTION	QTY	REMARKS
E07-01	150034410010	右曲轴箱组件(钱江灰)	RIGHT CRANKCASE ASSY,GREY	1	
E07-02	B12016190503	滚动轴承61905	BEARING 61905	1	
E07-03	B12016030501	滚动轴承	BALL BEARING	1	
E07-04	150083070000	定位销	DOWEL PIN	2	
E07-05	150113090000	挡片	BLOCK PLATE	1	
E07-06	B0201060126H	螺钉M6X12	SCREW M6X12	2	
E07-07	B12016020211	滚动轴承 (进口)	BALL BEARING	1	
E07-08	B12016020314	滚动轴承6203	BALL BEARING 6203	1	
E07-09	B12016020410	滚动轴承6204 (进口)	BALL BEARING 6204	1	
E07-10	150166090010	锥形塞M10×1	CONE PLUG M10×1	2	start vin LBBU32009JB895167
E07-11	B0107060706H	螺栓M6X70	BOLT M6X70	1	
E07-12	159336190000	油路限流堵头	PLUG	1	
E07-13	B0107060656H	螺栓M6X65	BOLT M6X65	1	
E07-16	21010405002X	限位挡钉	LIMIT BLOCK NAIL	1	
E07-18	150126030100	铆钉3X13	RIVET 3X13	1	
E07-19	150045050000	吸油管	HOSE	1	
E07-20	150105050000	滤网组件	SIEVE ASSY	1	
E07-21	150195050000	弹簧	SPRING	1	
E07-22	150205040000	o型圈Ⅱ	O RING Ⅱ	1	
E07-23	150215040000	放油螺塞	DRAIN PLUG	1	

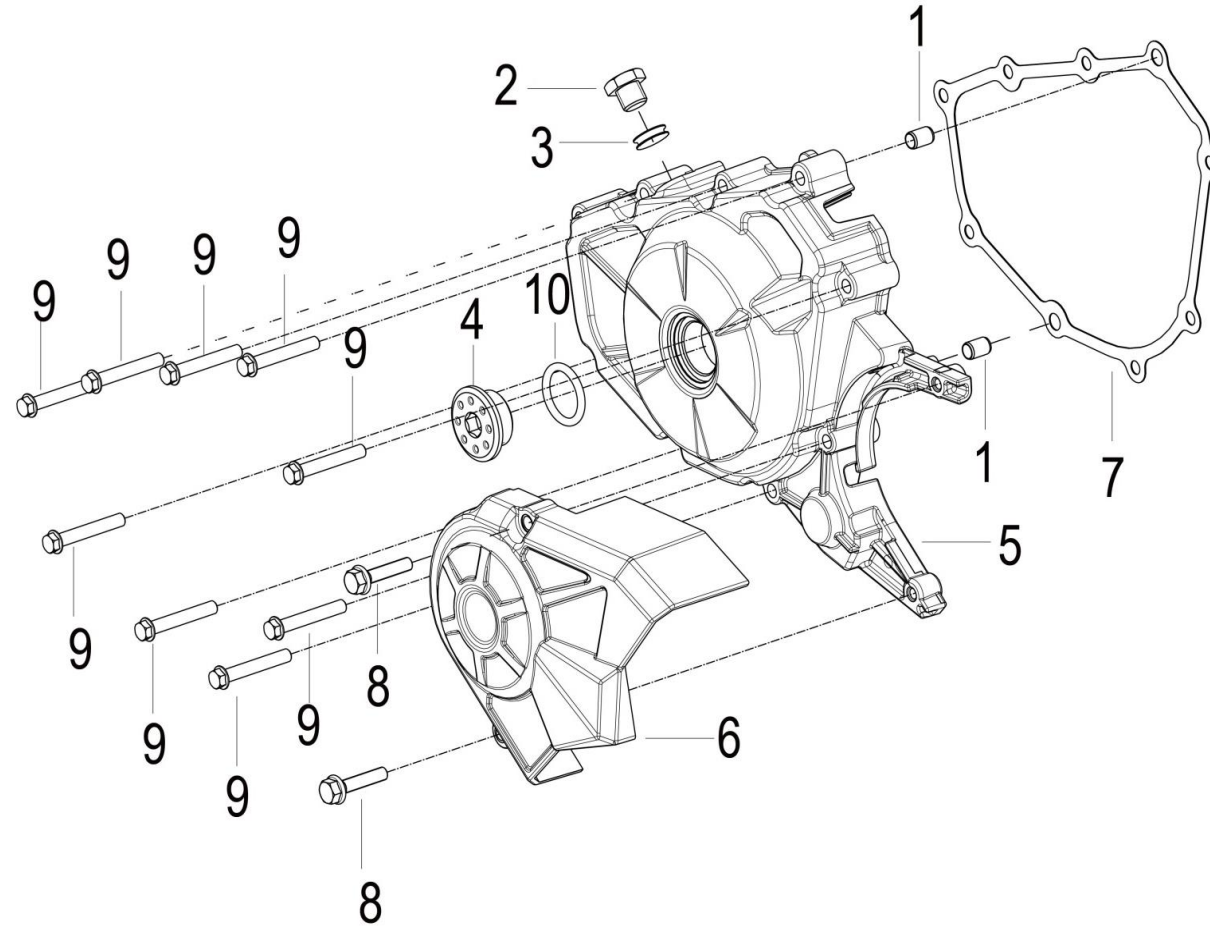
E08 右盖组件 RIGHT COVER ASSY



NO.	CODE	CN DESCRIPTION	EN DESCRIPTION	QTY	REMARKS
E08-01	16910446HT01	右盖(钱江灰)	RIGHT COVER,GREY	1	
E08-02	169114410010	右盖垫片	RIGHT COVER GASKET	1	
E08-03	160056030000	定位销	DOWEL PIN	2	
E08-04	B0107050086H	螺栓M5x8	BOLT M5X8	2	
E08-05	160034410000	压板	SEAL PLATE	1	
E08-06	160023090000	曲轴油封	OIL SEAL	1	
E08-07	B190101700C0	O型圈17x3.55	O-RING 17X3.55	1	
E08-08	160024460010	加油口螺塞(钱江灰)	OIL FILLER PLUG,GREY	1	
E08-09	06106P250000	卡箍27.1-706R	CLAMP 27.1-706R	2	
E08-10	279094460000	出水管	OUTLET HOSE	1	
E08-12	B190101250A0	O型圈	O-RING	1	
E08-13	B0107060356H	螺栓M6x35	BOLT M6X35	10	
E08-14	B190105260B0	O形圈	O-RING	1	
E08-15	160014410010	机滤盖(钱江灰)	OIL FILTER COVER,GREY	1	
E08-16	B0300060126H	双头螺柱M6x12	STUB BOLT M6X12	2	
E08-17	B0422060003H	M6盖形螺母	NUT M6	2	
E08-18	B0107060906H	螺栓M6x90	BOLT M6x90	1	
E08-19	160123420030	右盖铝标牌(Benelli字样)	ENGINE SIDE COVER PLATE,MARK:Benelli	1	
E08-20	160033090000	弹簧	SPRING	1	
E08-21	160043090000	纸质滤芯组件	FILTER	1	
E08-22	160083090000	油面指示器组合	OIL LEVEL INDICATOR	1	
E08-23	160373210010	机滤盖垫片	GASKER,FILTER	1	

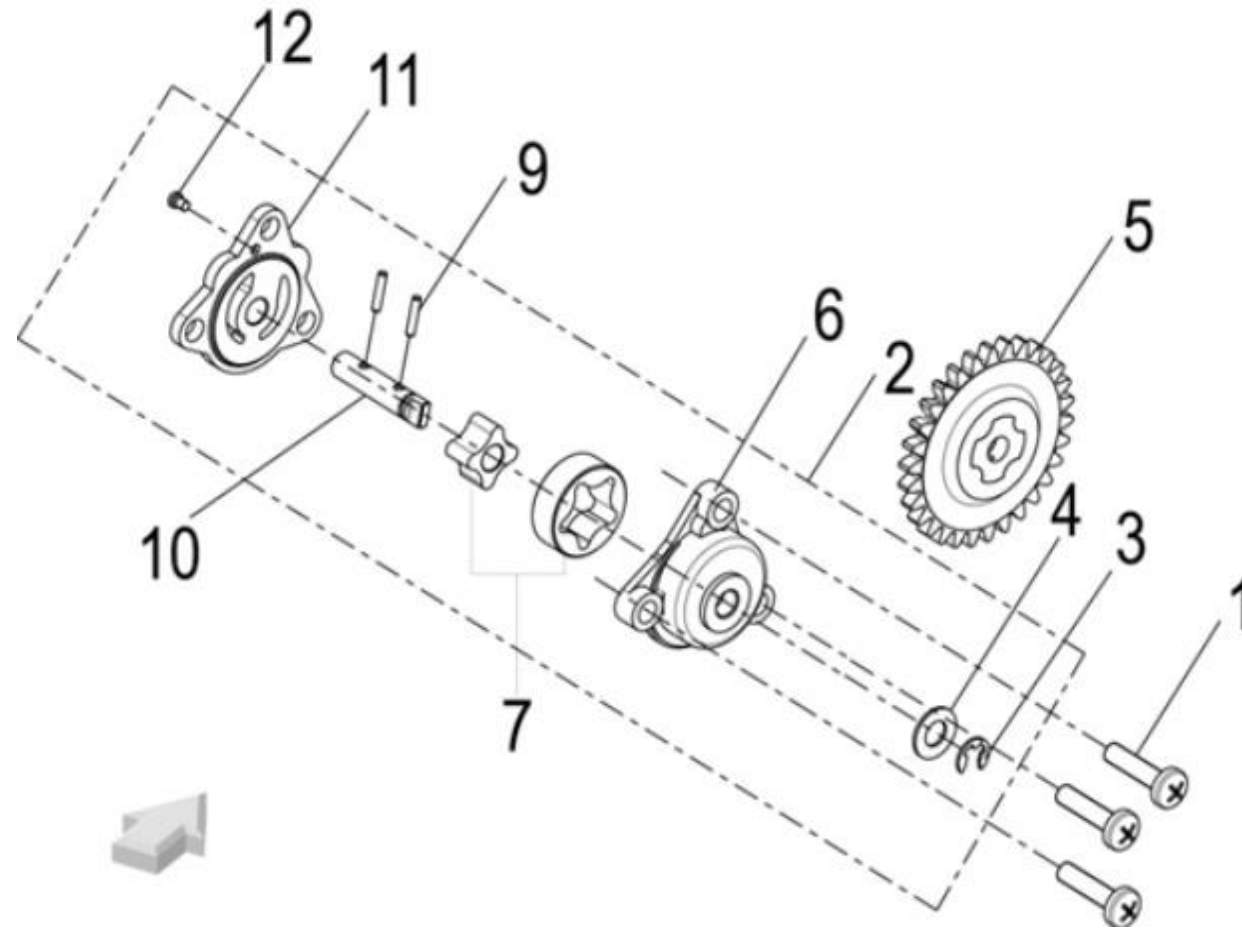


E09 左盖组件 LEFT COVER ASSY



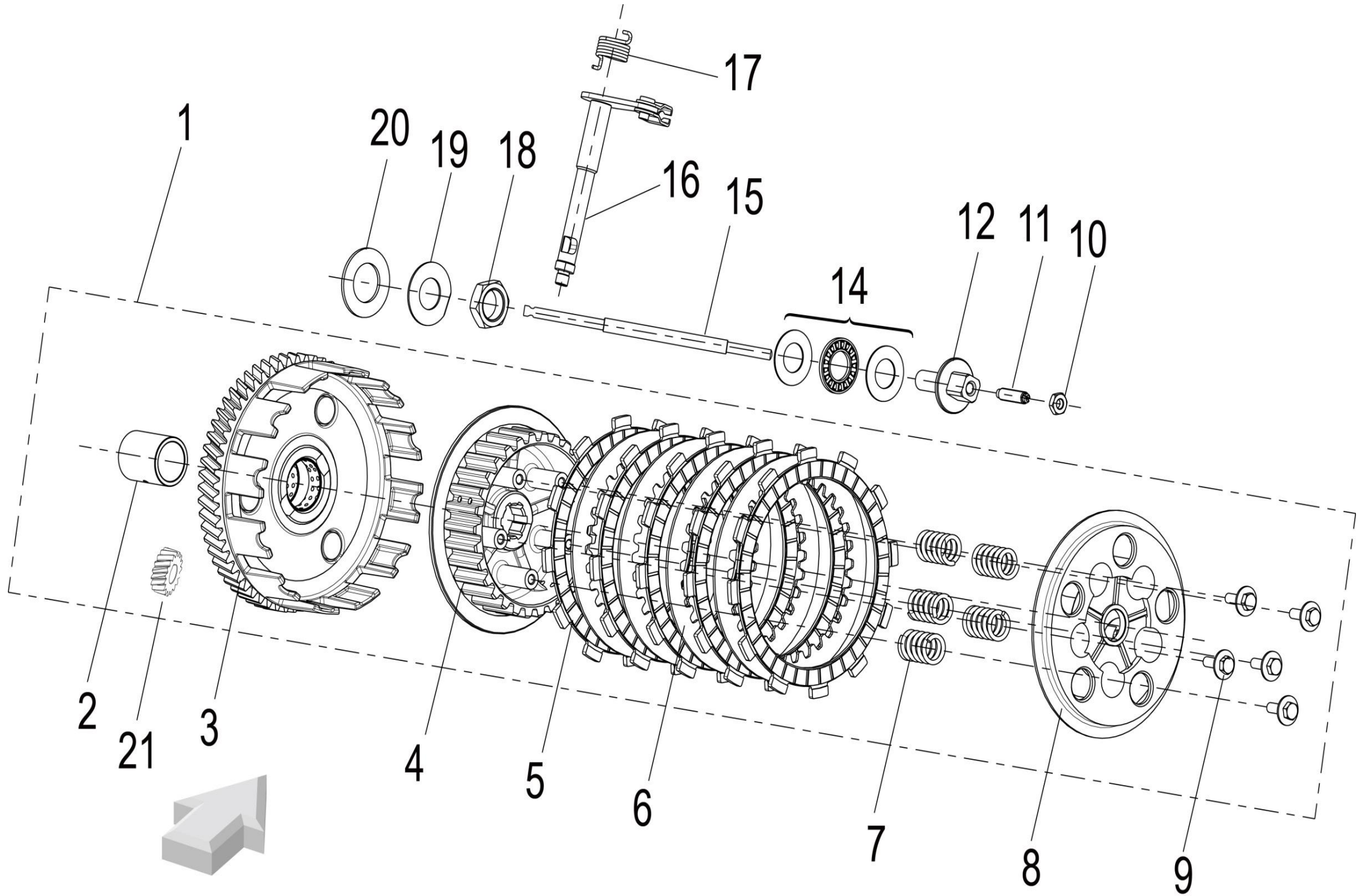
NO.	CODE	CN DESCRIPTION	EN DESCRIPTION	QTY	REMARKS
E09-01	160056030000	定位销	DOWEL PIN	2	
E09-02	16020309011X	螺塞M12×1.25×10	BOLT PLUG M12×1.25×10	1	
E09-03	160253090000	螺塞垫片	WASHER	1	
E09-04	160383090020	磁电机螺塞(钱江灰)	PLUG,COVER MAGNETO,GREY	1	
E09-05	169024410010	左盖(钱江灰)	LEFT COVER,GREY	1	
E09-06	169044410020	左后盖组件(钱江灰)	LEFT REAR LID ASSEMBLY,GREY	1	
E09-06	16904441BY01	左后盖组件(哑黑)	LEFT REAR COVER ASSY,MATT BLACK	1	
E09-07	169074410010	左盖垫片	LEFT COVER GASKET	1	
E09-08	B0107060286H	螺栓M6X28	BOLT M6X28	2	
E09-09	B0107060406H	螺栓M6X40	BOLT M6X40	9	
E09-10	B190102240C0	O型密封圈	O-RING	1	

E10 机油泵组件 OIL PUMP ASSY



NO.	CODE	CN DESCRIPTION	EN DESCRIPTION	QTY	REMARKS
E10-01	B0107060256H	六角法兰面螺栓M6×25	BOLT M6X25	3	
E10-02	269014460030	机油泵组件	OIL PUMP ASSY	1	
E10-03	B08030000600	挡圈6×6	CIRCLIP 6×6	1	
E10-04	260053300000	垫圈	WASHER	1	
E10-05	269084460020	机油泵齿轮组件	OIL PUMP GEAR ASSY	1	
E10-06	260043090000	机油泵体	OIL PUMP BODY	1	
E10-07	269043090000	内外转子	OIL PUMP INNER&OUTER ROTOR	1	
E10-09	B09012501220	销B2.5×12	PIN B2.5×12	2	
E10-10	260064460020	机油泵轴	OIL PUMP SHAFT	1	
E10-11	260013090000	机油泵座	OIL PUMP SEAT	1	
E10-12	B02000300522	十字槽盘头螺钉M3×5	SCREW M3X5	1	

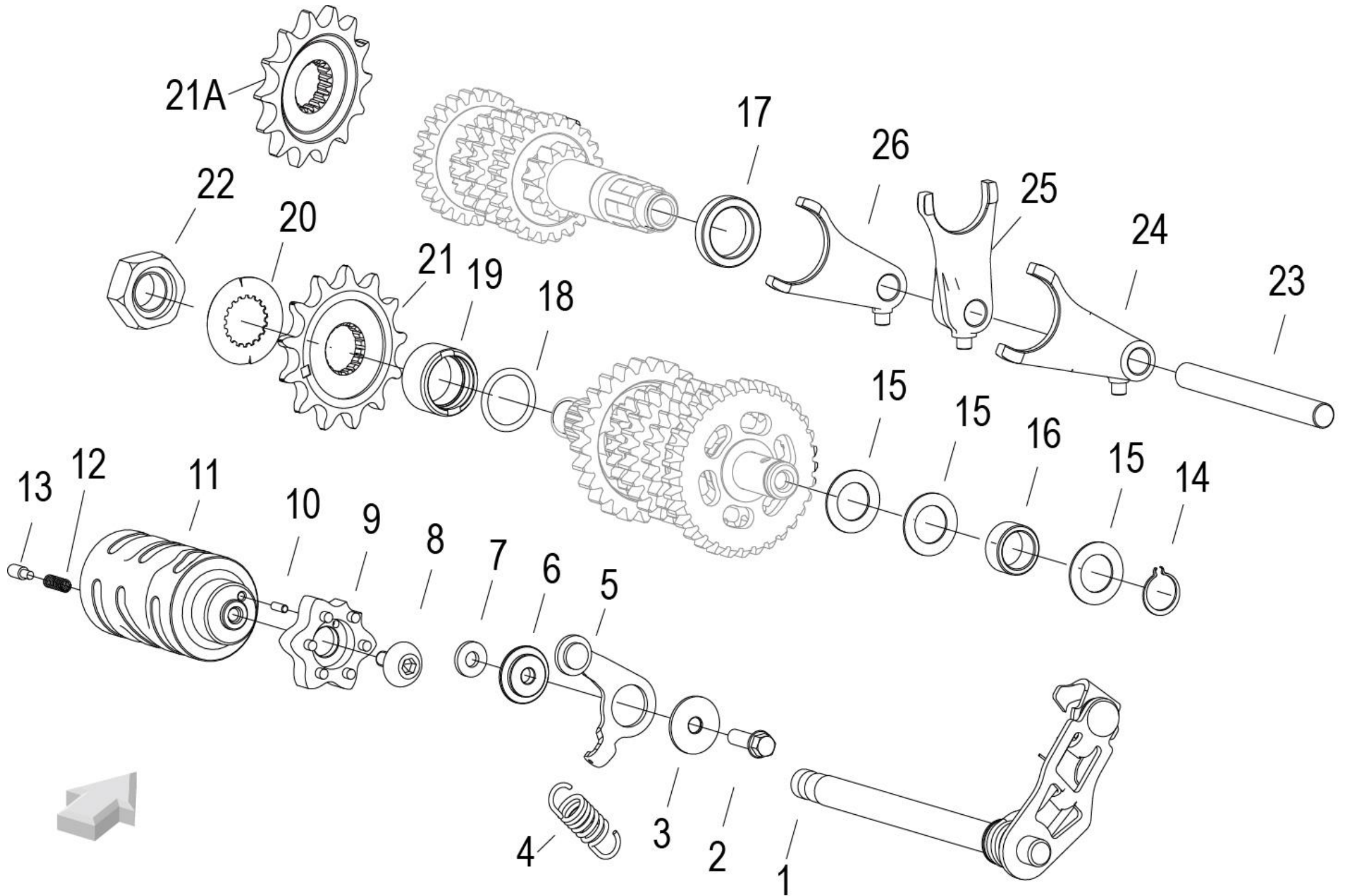
E11 离合器组件 CLUTCH ASSY





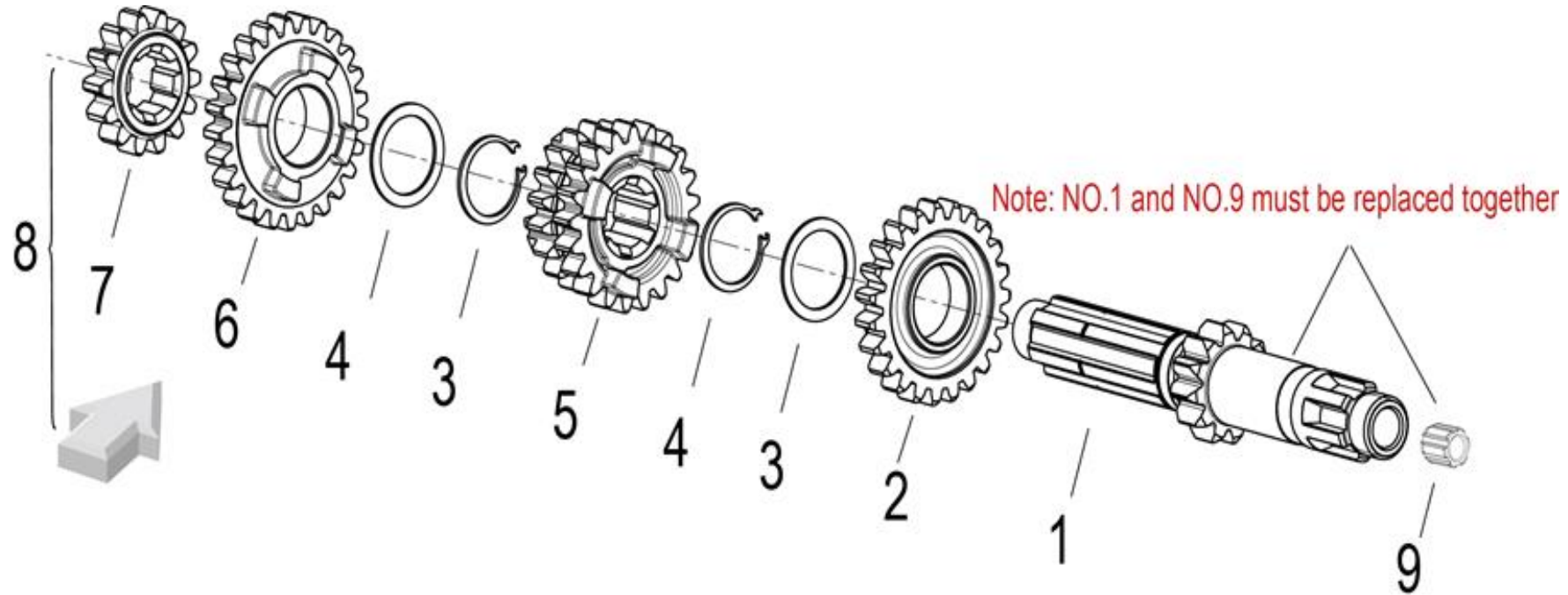
NO.	CODE	CN DESCRIPTION	EN DESCRIPTION	QTY	REMARKS
E11-01	209014410000	离合器组件	CLUTCH ASSY	1	
E11-02	200053090000	轴套	SPACER	1	
E11-03	200573090000	离合器主动毂组件	CLUTCH HOUSING	1	
E11-04	200073090000	离合器从动毂	CLUTCH HUB	1	
E11-05	200083090000	离合器摩擦片组件	FRICTION PLATE	5	
E11-06	200093090000	从动片	CLUTCH PLATE	4	
E11-07	209144410000	离合器弹簧	CLUTCH SPRING	5	
E11-08	200103090000	压力盘	PRESSURE PLATE	1	
E11-09	B13010501605	组合螺钉M5×16	SCREW W/WASHER M5×16	5	
E11-10	B0402060000H	六角薄螺母M6	NUT M6	1	
E11-11	20013309001X	一字槽调节螺钉	SLOTTED ADJUSTING SCREW	1	
E11-12	200143090000	轴承座	BEARING SEAT	1	
E11-14	200123090000	平面滚针轴承	NEEDLE BEARING	1	
E11-15	200013210020	推杆	PUSH ROD	1	
E11-16	209044410000	分离杆组件	RELEASE LEVER ASSEMBLY	1	
E11-17	200024410000	回位弹簧	RETURN SPRING	1	
E11-18	200153090000	锁紧螺母	NUT	1	
E11-19	200163090000	锁紧垫圈	LOCKING WASHER	1	
E11-20	200043090000	止推垫圈	THRUST WASHER	1	
E11-21	170014410000	离合器主动齿轮	CLUTCH DRIVE GEAR	1	

E12 变档组合 GEAR SHIFT MECHANISM ASSEMBLY



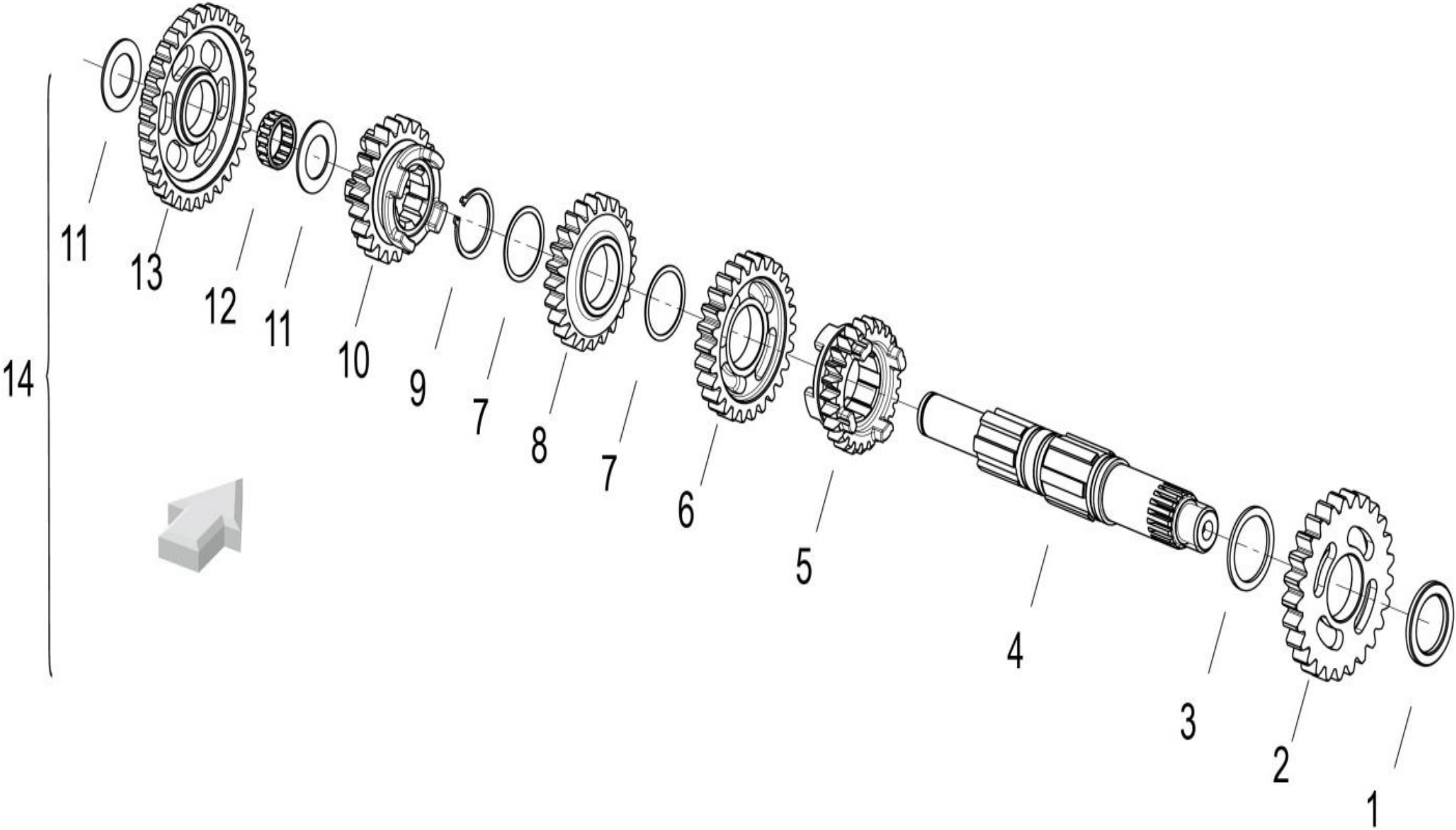
NO.	CODE	CN DESCRIPTION	EN DESCRIPTION	QTY	REMARKS
E12-01	219014410010	变档轴组件	SHIFT LEVER ASSEMBLY	1	
E12-02	B0107060206H	六角法兰面螺栓M6×20	FLANGE BOLT M6×20	1	
E12-03	219344410000	垫圈	WASHER	1	
E12-04	210026030000	止动臂弹簧	STOPPER LEVER SPRING	1	
E12-05	210416030010	摇臂组件	STOPPER LEVER	1	
E12-06	219334410000	垫片	WASHER	1	
E12-07	210343090000	垫片6.2×14×2.2	WASHER 6.2×14×2.2	1	
E12-08	210014410000	星轮螺钉	BOLT	1	
E12-09	210366030000	荆轮	PLATE COMP,GEARSHIFT DRUM STOPPER	1	
E12-10	210356030000	定位销	DOWEL PIN	1	
E12-11	219054410000	变档鼓	SHIFT DRUM	1	
E12-12	210313090000	触头弹簧	PROD SPRING	1	
E12-13	210323090000	变档转换触头	SHIFT PROD	1	
E12-14	B080100015A0	轴用弹性挡圈	CIRCLIPS FOR SHAFT	1	
E12-15	210133090000	止推垫圈(内)15	THRUST WASHER	3	
E12-16	210034410000	轴套	COLLAR	1	
E12-17	210013210000	主轴轴套	AXLE SLEEVE,MAIN SHAFT ASSY	1	
E12-18	B190101900B1	O形密封圈	O RING	1	
E12-19	210053090000	轴套	COLLAR	1	
E12-20	219313090000	锁片	WASHER	1	
E12-21A	219304410010	输出链轮14齿	SPROCKET,ENGINE 14TEETH	1	
E12-22	210063090100	锁紧螺母M16×1.5	NUT M16×1.5	1	
E12-23	219093090000	拨叉轴	SHIFT FORK SHAFT	1	
E12-24	219124410000	右拨叉	RIGHT SHIFT FORK	1	
E12-25	219114410000	中拨叉	MIDDLE SHIFT FORK	1	
E12-26	219104410000	左拨叉	LEFT SHIFT FORK	1	

E13 主轴组合 PRIMARY SHAFT ASSY



NO.	CODE	CN DESCRIPTION	EN DESCRIPTION	QTY	REMARKS
E13-01	219144410000	主轴	MAIN SHAFT	1	no.9 must be replaced together
E13-01	219145300000	主轴	MAIN SHAFT	1	no.9 must be replaced together; start vin LBBU32021MBC98510
E13-02	219193390000	主轴五挡齿轮	PRIMARY SHAFT GEAR 5	1	
E13-02	219195300000	主轴五挡齿轮	PRIMARY SHAFT GEAR 5	1	start vin LBBU32021MBC98510
E13-03	210243090000	垫圈	WASHER	2	
E13-04	210023070000	挡圈φ20	CIRCLIP	2	
E13-05	210023390000	主动三、四挡齿轮	PRIMARY SHAFT GEAR 3&4	1	
E13-05	210025300000	主动三、四挡齿轮	PRIMARY SHAFT GEAR 3&4	1	start vin LBBU32021MBC98510
E13-06	219203390000	主轴六挡齿轮	PRIMARY SHAFT GEAR 6	1	
E13-06	219205300000	主轴六挡齿轮	PRIMARY SHAFT GEAR 6	1	start vin LBBU32021MBC98510
E13-07	219163390000	主轴二挡齿轮	PRIMARY SHAFT GEAR 2	1	
E13-07	219165300000	主轴二挡齿轮	PRIMARY SHAFT GEAR 2	1	start vin LBBU32021MBC98510
E13-08	219134410000	主轴组件	PRIMARY SHAFT ASSY	1	
E13-08	219135300000	主轴组件	PRIMARY SHAFT ASSY	1	start vin LBBU32021MBC98510
E13-09	210043090000	堵柱	PLUG	1	no.1 must be replaced together

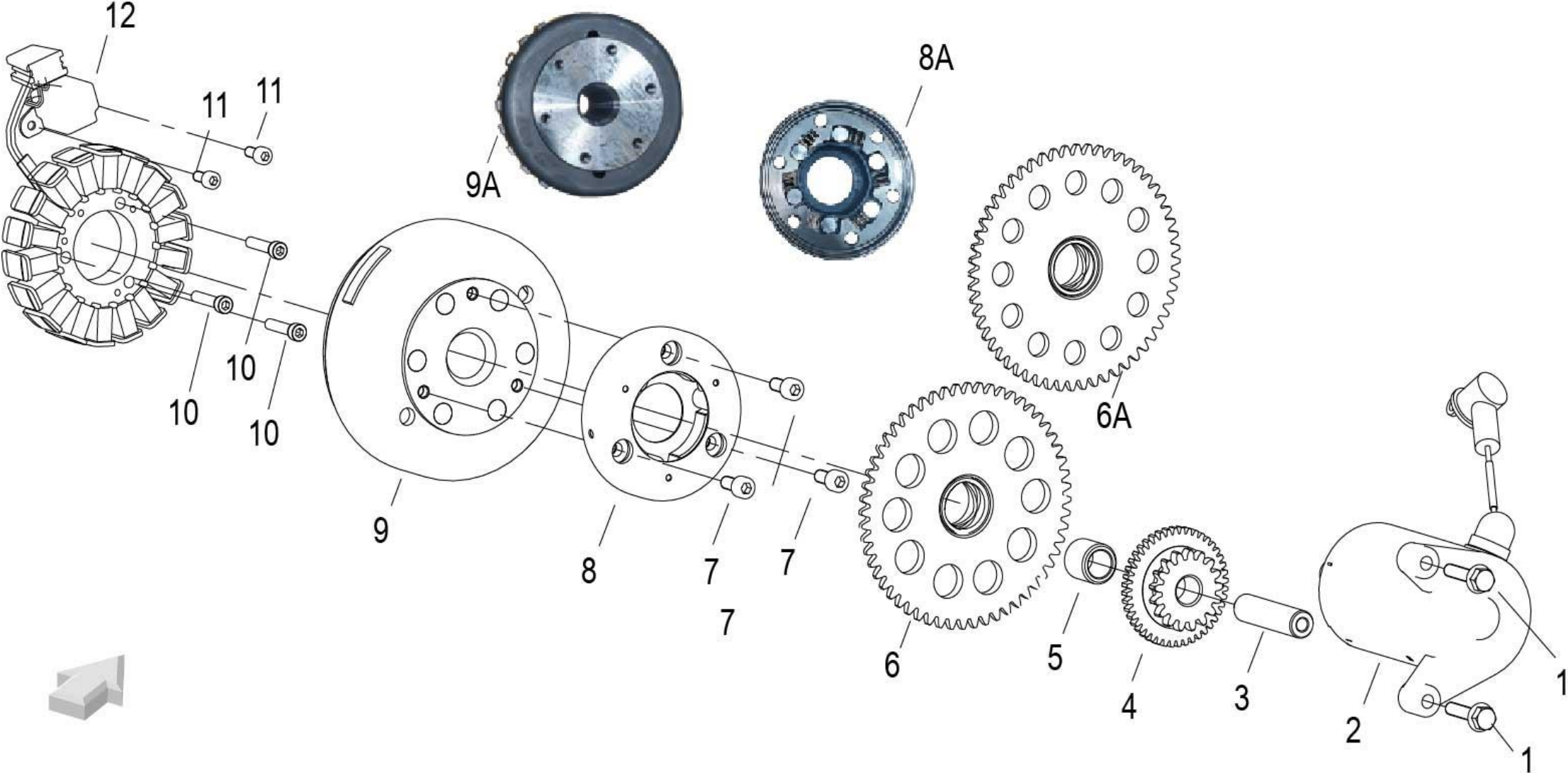
E14 副轴组合 COUNTERSHAFT ASSY



NO.	CODE	CN DESCRIPTION	EN DESCRIPTION	QTY	REMARKS
E14-01	210013390000	垫片20	WASHER 20	1	
E14-02	219243090000	副轴二挡齿轮	COUNTERSHAFT GEAR 2	1	
E14-02	219245300000	副轴二挡齿轮	COUNTERSHAFT GEAR 2	1	start vin LBBU32021MBC98510
E14-03	210033390000	垫片23	WASHER 30	1	
E14-04	219224410000	副轴	COUNTERSHAFT	1	
E14-05	219283390000	副轴六挡齿轮	COUNTERSHAFT GEAR 6	1	
E14-05	219285300000	副轴六挡齿轮	COUNTERSHAFT GEAR 6	1	start vin LBBU32021MBC98510
E14-06	219253390000	副轴三挡齿轮	COUNTERSHAFT GEAR 3	1	
E14-06	219255300000	副轴三挡齿轮	COUNTERSHAFT GEAR 3	1	start vin LBBU32021MBC98510
E14-07	210043390000	垫片22	WASHER 22	2	
E14-08	219263390000	副轴四挡齿轮	COUNTERSHAFT GEAR 4	1	
E14-08	219265300000	副轴四挡齿轮	COUNTERSHAFT GEAR 4	1	start vin LBBU32021MBC98510
E14-09	210053390000	挡圈22	CIRCLIP 22	1	
E14-10	219273390000	副轴五档齿轮	COUNTERSHAFT GEAR 5	1	
E14-10	219275300000	副轴五档齿轮	COUNTERSHAFT GEAR 5	1	start vin LBBU32021MBC98510
E14-11	210133090000	止推垫圈(内)15	THRUSH WASHER 15	2	
E14-12	210463090000	滚针轴承	NEEDLE BEARING	1	
E14-13	219233090000	副轴一档齿轮	COUNTERSHAFT GEAR 1	1	
E14-13	219235300000	副轴一档齿轮	COUNTERSHAFT GEAR 1	1	start vin LBBU32021MBC98510
E14-14	219214410000	副轴组合	COUNTERSHAFT ASSY	1	
E14-14	219215300000	副轴组合	COUNTERSHAFT ASSY	1	start vin LBBU32021MBC98510



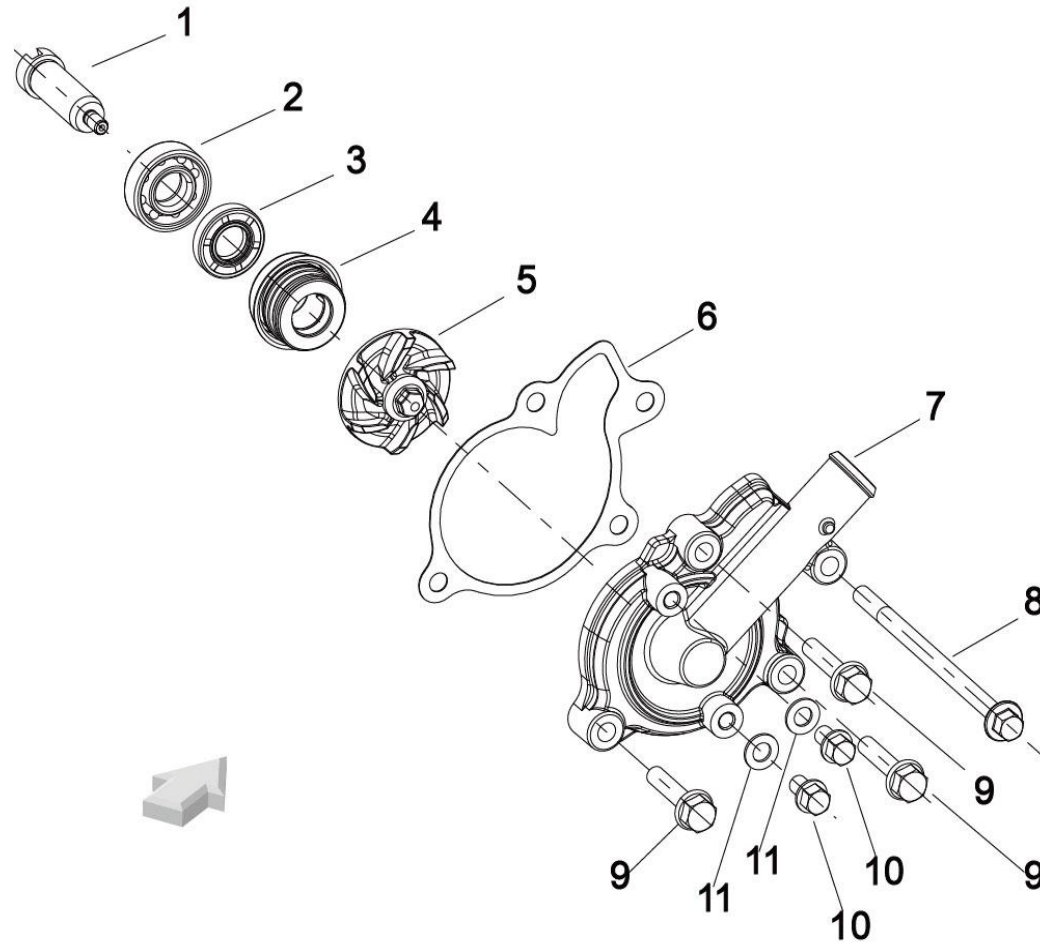
E15 启动组合 ELECTRIC STARTER ASSY





NO.	CODE	CN DESCRIPTION	EN DESCRIPTION	QTY	REMARKS
E15-01	B0107060286H	螺栓M6X28	BOLT M6×28	2	
E15-02	249013210150	起动电机组件(线长550)	STARTER MOTOR ASSY,wire length:550mm	1	
E15-02	249013210140	起动电机组件(线长970)	STARTER MOTOR ASSY,wire length:970mm	1	start vin LBBU32019LBB76998
E15-03	240023090000	销轴	DOWEL PIN	1	
E15-04	249043090000	起动惰轮	GEAR,STARTER IDLER	1	
E15-05	240013090000	衬套	SLEEVE	1	
E15-06	240043090020	传动齿轮	GEAR,STARTER DRIVEN	1	
E15-06A	240043090030	传动齿轮	GEAR,STARTER DRIVEN	1	start 2022
E15-07	240025140000	螺钉 M8	SCREW M8	3	start vin LBBU32012KBA14659
E15-07	100083210010	内六角螺钉M6×16	SCREW M6×16	3	start 2022
E15-08	249093230050	星轮组合	SPROCKET UNIT	1	start vin LBBU32012KBA14659
E15-08A	249093230070	星轮组合	SPROCKET UNIT	1	start 2022
E15-09	299024180060	飞轮组合	FLY WHEEL ASSY	1	start vin LBBU32012KBA14659
E15-09A	299024180001	飞轮组合	FLY WHEEL ASSY	1	start 2022
E15-10	B0205050256H	内六角螺钉 M5×25	SCREW M5×25	3	
E15-11	B0205040106H	内六角圆柱头螺钉 M4×10	SCREW M4×10	2	
E15-12	299033090000	定子组合	COIL ASSY	1	

E16 水泵组合 WATER PUMP ASSY



NO.	CODE	CN DESCRIPTION	EN DESCRIPTION	QTY	REMARKS
E16-01	279224460010	水泵轴	IMPELLER SHAFT	1	
E16-02	B12016000100	轴承6001	BEARING 6001	1	
E16-03	270153160000	油封12x24x5	OIL SEAL 12x24x5	1	
E16-04	270216030000	EKK水封组件	EKK SEAL ASSY	1	
E16-05	279214460000	水泵叶轮	IMPELLER	1	
E16-06	279344460000	垫片	GASKET	1	
E16-07	279334460010	水泵盖(钱江灰)	WATER PUMP COVER,GREY	1	
E16-08	B0107061056H	螺栓M6×105	BOLT M6×105	1	
E16-09	B0107060286H	螺栓M6X28	BOLT M6×28	3	
E16-10	B0107060106H	螺栓M6×10	BOLT M6×105	2	
E16-11	150013070000	垫圈6	WASHER 6	2	