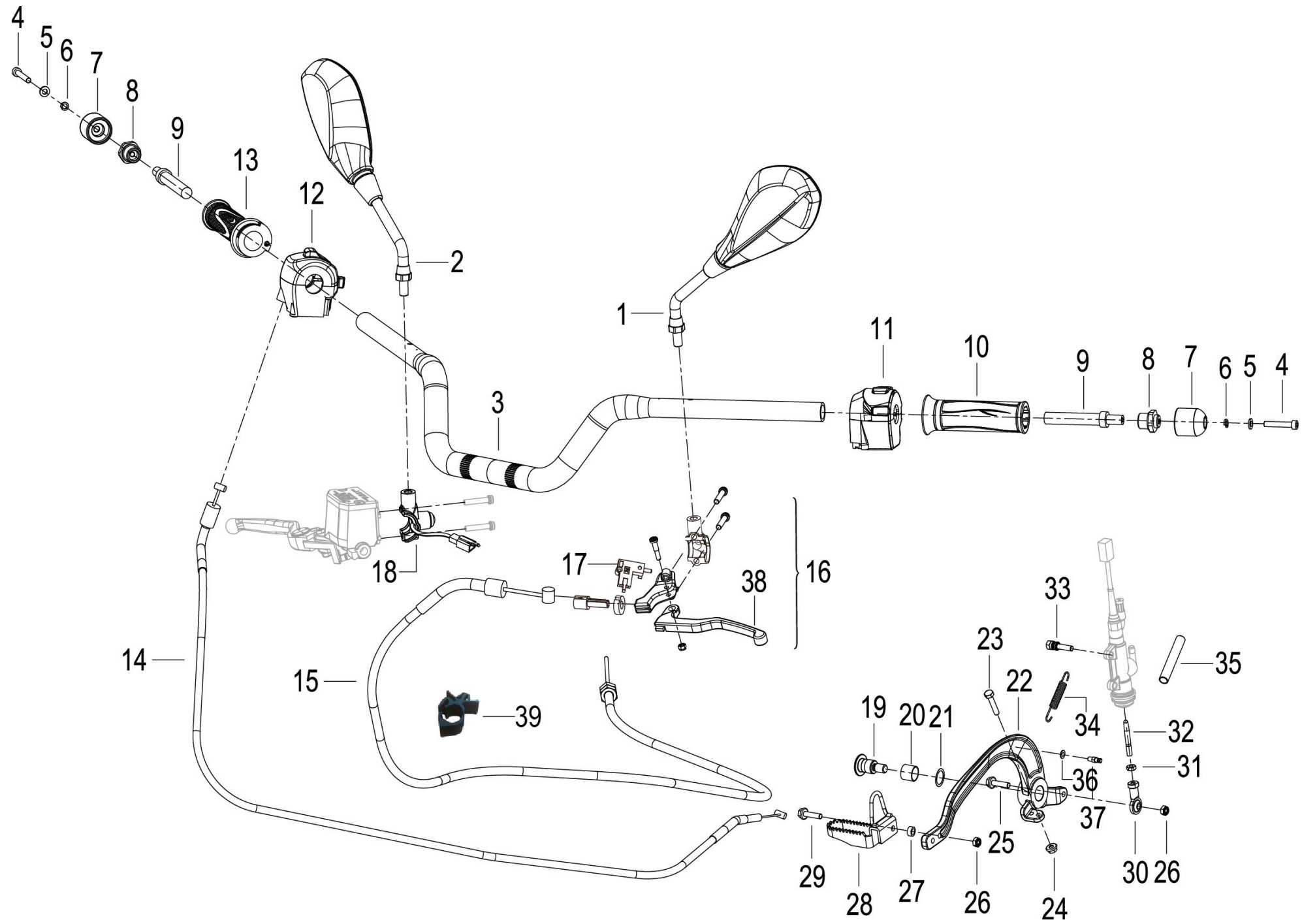


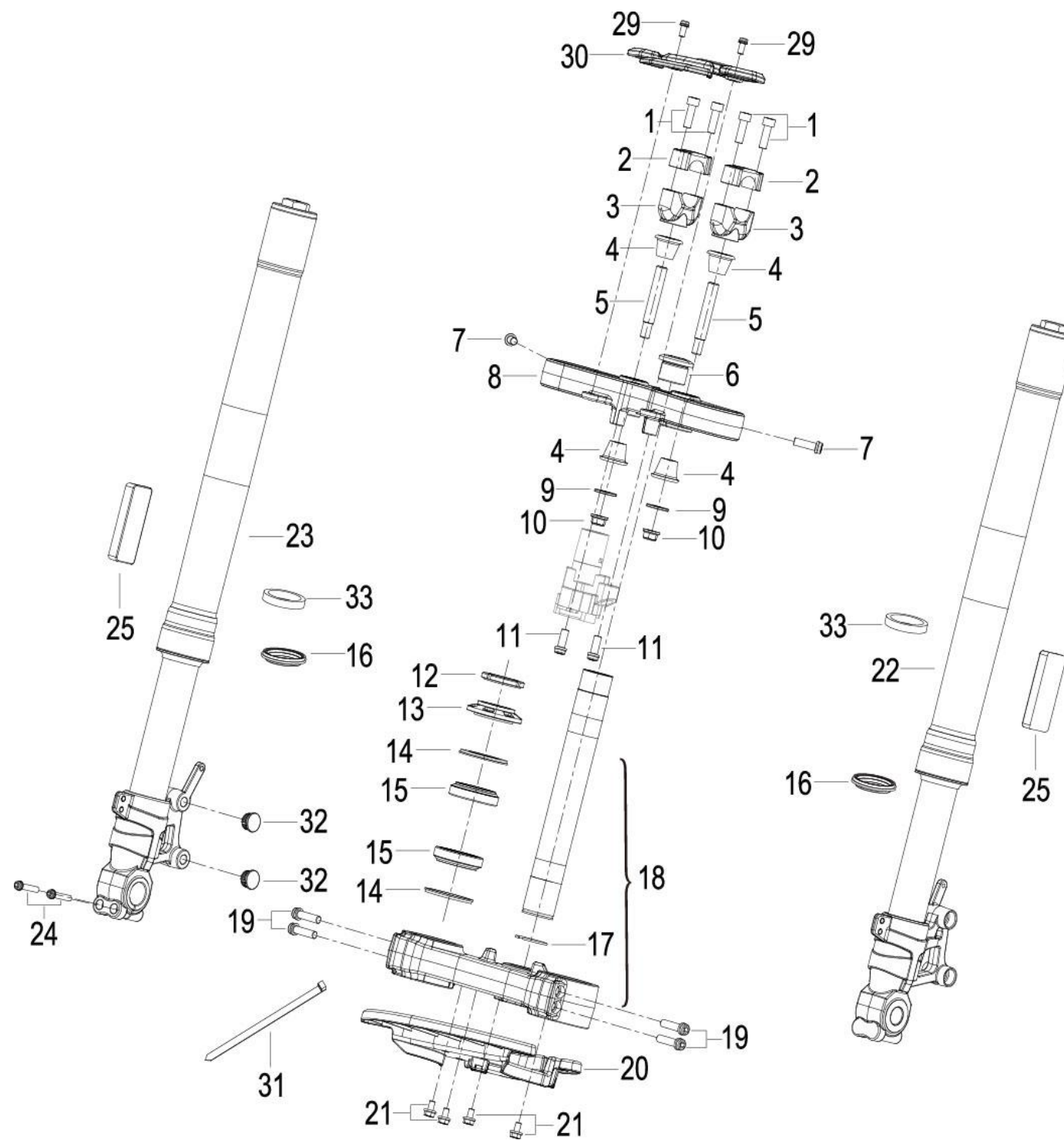
F01 操纵 CONTROL ASSY.



NO.	Position No.	CODE	EN DESCRIPTION	Qty/Unit	Remark
1	F01	40450J300009	MIRROR ASSY.,RR.VIEW,L.	1	
2	F01	40480J300009	MIRROR ASSY.,RR.VIEW,R.	1	
3	F01	40101N300000	HANDLEBAR ASSY	1	
4	F01	B0205060356H	GRIP END SCREW M6x35	2	
5	F01	B0703000060H	WASHER 6	2	
6	F01	B0700000060H	SINGLE COIL SPRING LOCK WASHER 6	2	
7	F01	40031P250000	GRIP END	2	
8	F01	40032P250000	GRIP END MOUNTING SEAT	2	
9	F01	40031S010000	BALANCER	2	
10	F01	40001K740000	LEFT HANDLEBAR GRIP	1	
11	F01	40500L210003	LEFT HANDLEBAR SWITCH	1	
12	F01	40600L210002	RIGHT HANDLEBAR SWITCH ASSY.AHO	1	AHO
13	F01	40210K740000	RIGHT HANDLEBAR GRIP	1	
14	F01	40300N301000	THROTTLE CABLE ASSY	1	
15	F01	40400N300001	CLUTCH CABLE	1	
16	F01	40080P250000	CLUTCH LEVER ASSY	1	
17	F01	91090P250000	CLUTCH SWITCH	1	
18	F01	70190N300000	SPEEDOMETER ADJUST SWITCH	1	
19	F01	40706P250001	SCREW	1	
20	F01	58511S010000	SELF-LUBRICATING BUSHINGS	1	
21	F01	58216S010000	WASHER	1	
22	F01	40712P160001	BRAKE PEDAL ASSY	1	
23	F01	B0101060352H	BOLT M6x35	1	
24	F01	B0407060005H	NUT M6	1	
25	F01	160106030130	BOLT M6x30	1	
26	F01	B04810600052	NUT M6x1	2	
27	F01	40047B470100	BUSH $\Phi 6.5 \times \Phi 10 \times 4.5$	1	
28	F01	40720V300100	MOUNTING BRACKET	1	
29	F01	B01820602562	BOLT M6x25	1	
30	F01	40283S010000	BRAKE PEDAL JOINT M6	1	
31	F01	B04800600052	NUT M6	1	
32	F01	55061N300000	BRAKE PUSH ROD	1	
33	F01	08013P160000	BOLT M6x22	1	
34	F01	40702P160000	REAR BRAKE RETURN SPRING	1	
35	F01	40706P160000	PROTECT JACKET,BRAKE PEDAL SPRING	1	
36	F01	B0703000050A	WASHER $\Phi 5$	1	
37	F01	40273P250000	UPPER SPRING DOWEL	1	

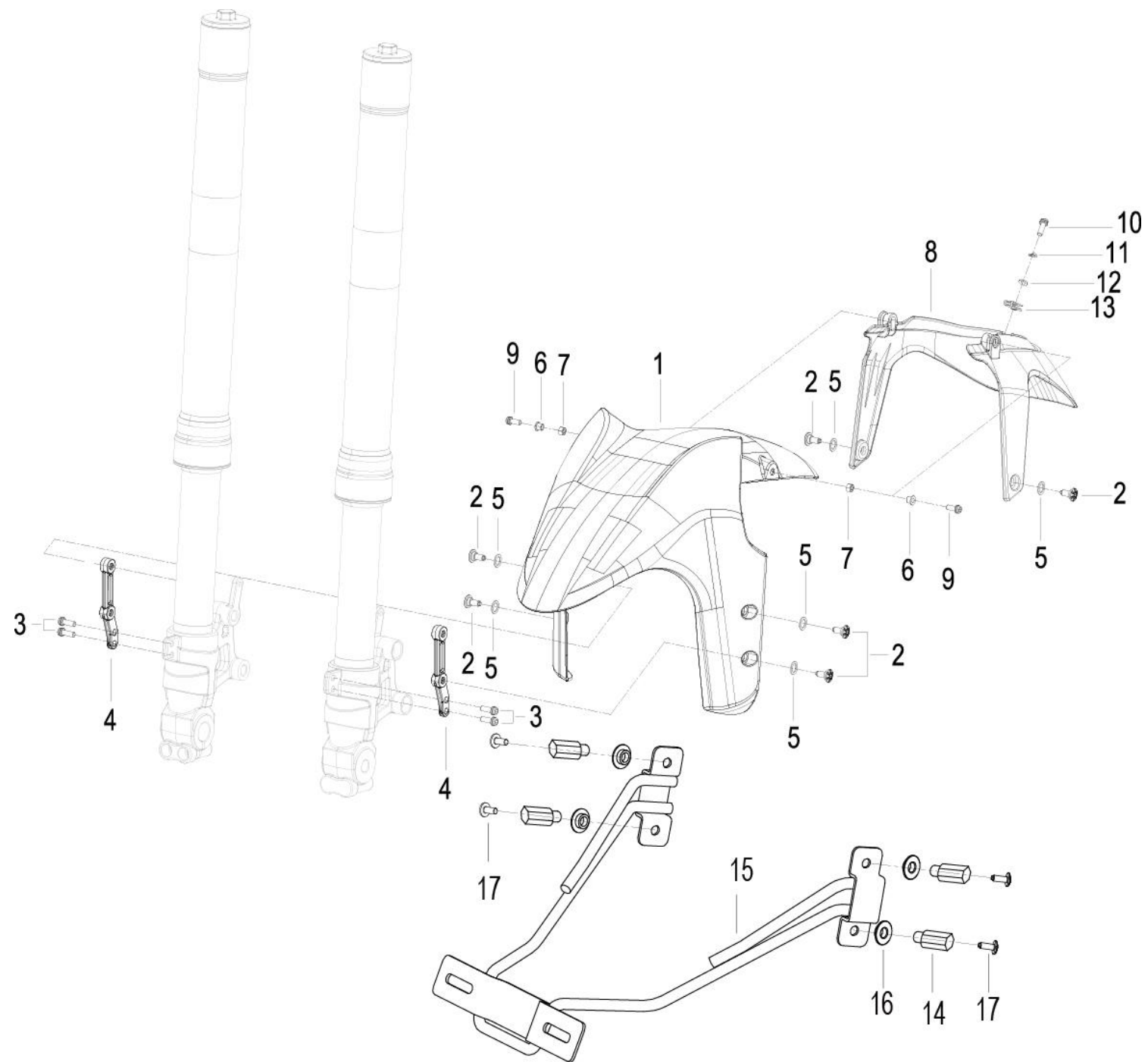
NO.	Position No.	CODE	EN DESCRIPTION	Qty/Unit	Remark
38	F01	40084P250001	CLUTCH LEVER	1	
39	F01	65839P160000	CLIP 0-473	1	Start vin ZBNN30000LBB02448

F02 前叉 FORK ASSY.



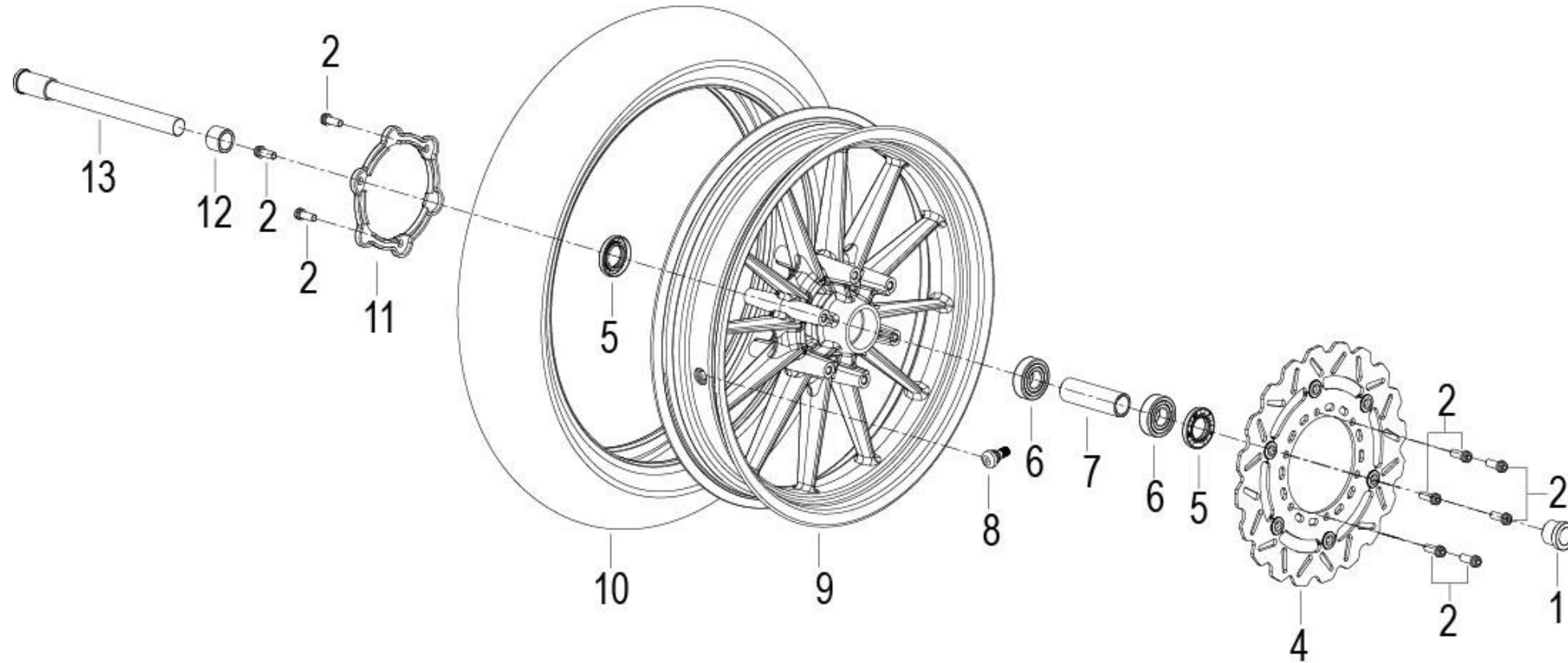
NO.	Position No.	CODE	EN DESCRIPTION	Qty/Unit	Remark
1	F02	B0205080256K	SCREW M8x25	4	
2	F02	43013P010001	UPPER HANDLEBAR HOLDER	2	
3	F02	43014P010000	LOWER HANDLEBAR HOLDER	2	
4	F02	47015P010010	DAMPER	4	
5	F02	40086P010002	HANDLEBAR STUD	2	
6	F02	43049P250000	UPPER BRACKET PINCH BOLT	1	
7	F02	B0281080256H	BOLT M8x1.25x25	2	
8	F02	43011P100000	UPPER BRACKET	1	
9	F02	40089P010100	HANDLEBAR DOWEL WASHER $\phi 10.2 \times \phi 24.9 \times 2.5$	2	
10	F02	B0417101254H	NUT M10x1.25	2	
11	F02	B0207060162H	SCREW M6x16	2	
12	F02	43008S010010	STEERING STEM HEAD NUT	1	
13	F02	43009P260000	STEERING STEM NUT	1	
14	F02	43005S010000	DUST SEAL	2	
15	F02	43130S010000	STEER BEARING	2	
16	F02	43290N220001	DUST SEAL MARK:NOK	2	
17	F02	43103S010000	LOCKING RING	1	
18	F02	43100P100000	LOWER BRACKET	1	
19	F02	B02810803062	BOLT M8x1.25x30	4	
20	F02	65102N300000	FRONT FENDER FRONT PART	1	
21	F02	B0109060106H	BOLT M6x10	4	
22	F02	43200N300000	FRONT LEFT SHOCK ABSORBER ASSY.	1	
23	F02	43300N300000	FRONT RIGHT SHOCK ABSORBER ASSY.	1	
24	F02	B02810603062	BOLT M6x30	2	
25	F02	86200P250000	FRONT REFLECTOR	2	
30	F02	43012N300000	UPPER BRACKET DECORATIVE BOARD	1	
31	F02	96001J000000	BAND 150MM	3	
32	F02	43058N300000	PLUG,FRONT ABSORBER	2	
33	F02	43260N220010	OIL SEAL MARK:NOK	2	

F03 前挡泥板 FRONT FENDER ASSY.



NO.	Position No.	CODE	EN DESCRIPTION	Qty/Unit	Remark
1	F03	65101P10BA10	FRONT FENDER,SATIN BLACK BA,JH-B1,WITHOUT STICKER	1	
1	F03	65101P10TL10	FRONT FENDER,RED TL,WITHOUT STICKER	1	
2	F03	B0284060150A	SCREW M6x15.2	6	
3	F03	B02810601262	HEXAGON SCREWS M6x12	4	
4	F03	65141S010000	FRONT FENDER MOUNTING BRACKET	2	
5	F03	47936S010000	NYLON WASHER	6	
6	F03	65105S040000	T BUSHING 5x7x6x10x0.8	2	
7	F03	B0400050005H	NUT M5	2	
8	F03	65102N220010	FRONT FENDER FRONT PART	1	
9	F03	B02810501462	BOLT M5x0.8x14	2	
10	F03	B02180501262	SCREW M5x12	1	
11	F03	B0700000050L	SINGLE COIL SPRING LOCK WASHER $\Phi$ 5	1	
12	F03	B0703000050A	WASHER $\Phi$ 5	1	
13	F03	08053G120100	NUT	1	

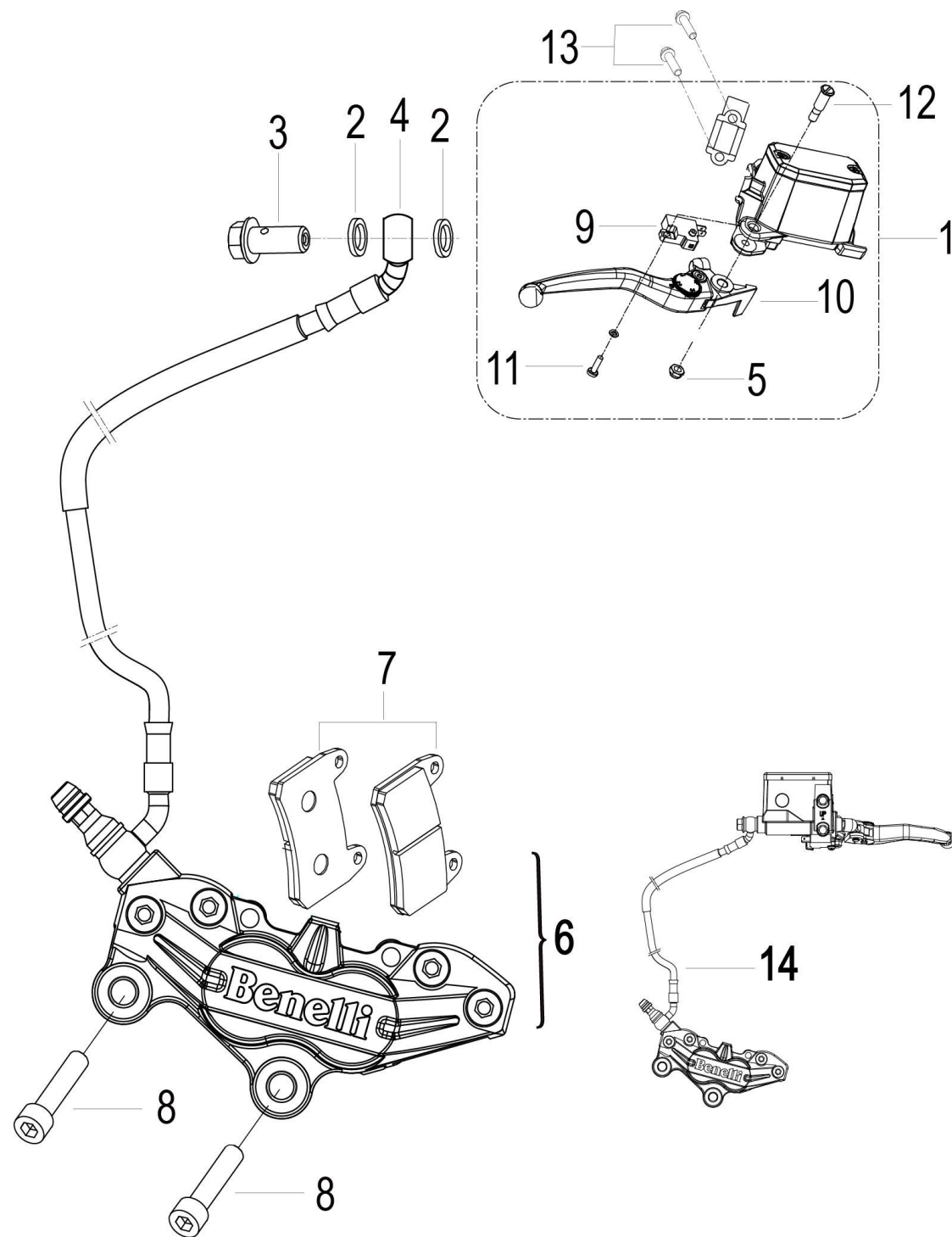
F04 前轮 FRONT WHEEL ASSY.



NO.	Position No.	CODE	EN DESCRIPTION	Qty/Unit	Remark
1	F04	44005P100100	FRONT WHEEL LEFT COLLAR	1	
2	F04	B02810802062	BOLT M8x1.25x20	3	
4	F04	45030N220002	FRONT BRAKE DISC	1	
5	F04	60200J000001	DUST SEAL ASSY	2	
6	F04	B12016020400	BALL BEARING 6204-2RS	2	
7	F04	44006P100100	FRONT WHEEL MIDDLE SHAFT SLEEVE	1	
8	F04	B1403Z201100	AIR VALVE/RIM VALVE	1	
9	F04	44101P10HT00	FRONT WHEEL ASSY.GREY HT	1	
10	F04	B140106D1702	TUBELESS TYRE 110/70-R17,brand:METZELER	1	
11	F04	44027N220000	DECORATIVE COVER	1	
12	F04	44016P100100	FRONT WHEEL RIGHT COLLAR	1	
13	F04	44004P100100	FRONT WHEEL AXLE M20x1.5x205	1	

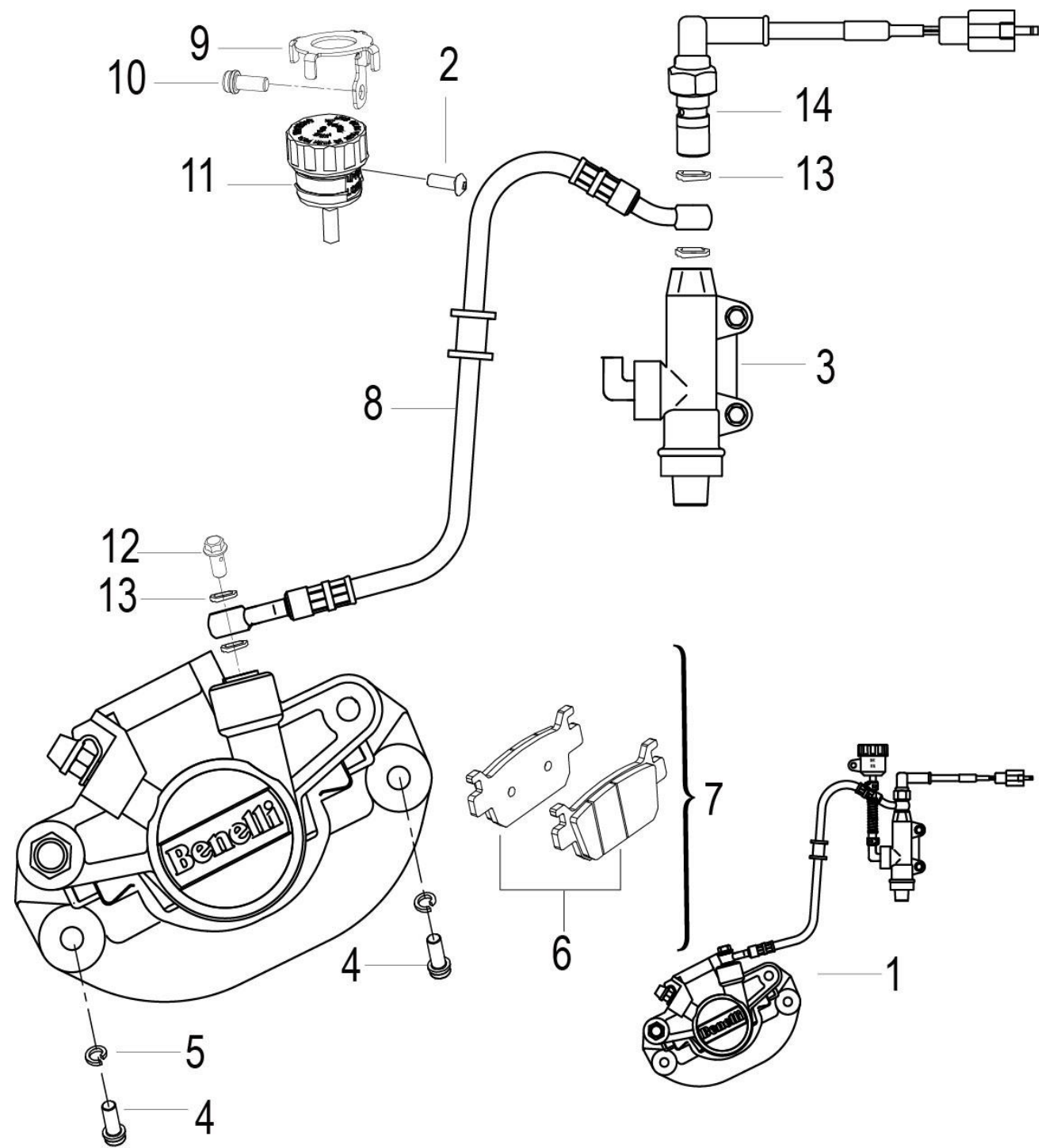


F05 前后液刹 FRONT DISK BRAKE ASSY.



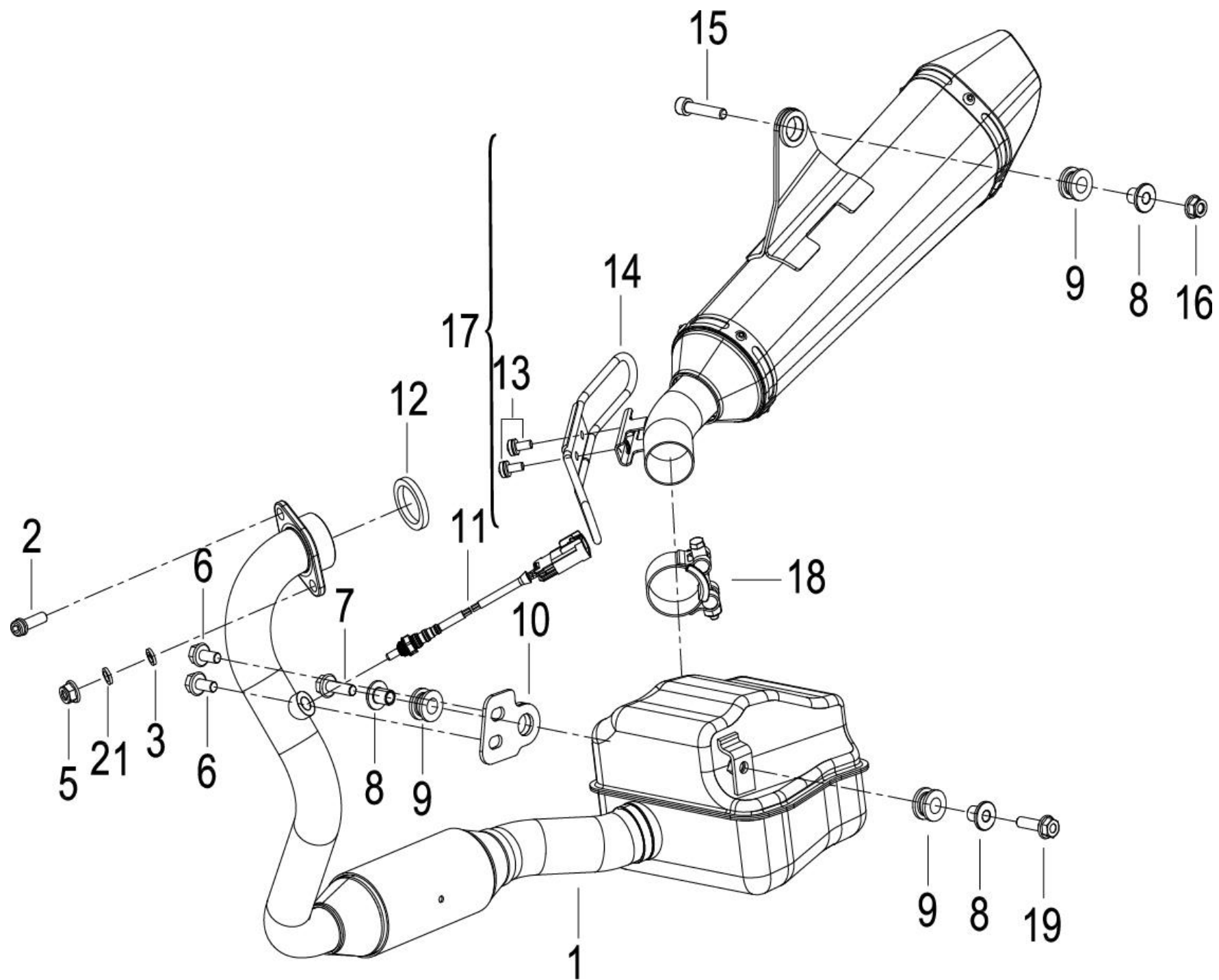
NO.	Position No.	CODE	EN DESCRIPTION	Qty/Unit	Remark
1	F05	45400N300000	MASTER CYLINDER,FRONT DISC BRAKE	1	
2	F05	45180J000000	COPPER WASHER	4	
3	F05	45037J000000	BRAKE HOSE BANJO BOLT	1	
4	F05	45200N300000	FRONT BRAKE HOSE ASSY	1	
5	F05	B04170600055	SELF-LOCKING NUT M6	1	
6	F05	45500J800302	FRONT LEFT BRAKE CALIPER.silver white,mark:Benelli	1	
7	F05	45120P100000	FRONT BRAKE PAD	1set	
8	F05	B02551004062	HEXAGON SCREWS M10x1.25x40	2	
9	F05	45300J000010	FRONT BRAKE SWITCH	1	
10	F05	45020P300000	FRONT BRAKE LEVER	1	
11	F05	B0204040122H	SCREW M4x12	1	
12	F05	45024P300000	BRAKE LEVER PIVOT BOLT	1	
13	F05	B02810602562	BOLT M6x25	2	
14	F05	45900N300010	FRONT DISC BRAKE ASSY.	1	

F05\_1 后液刹 REAR DISK BRAKE ASSY.



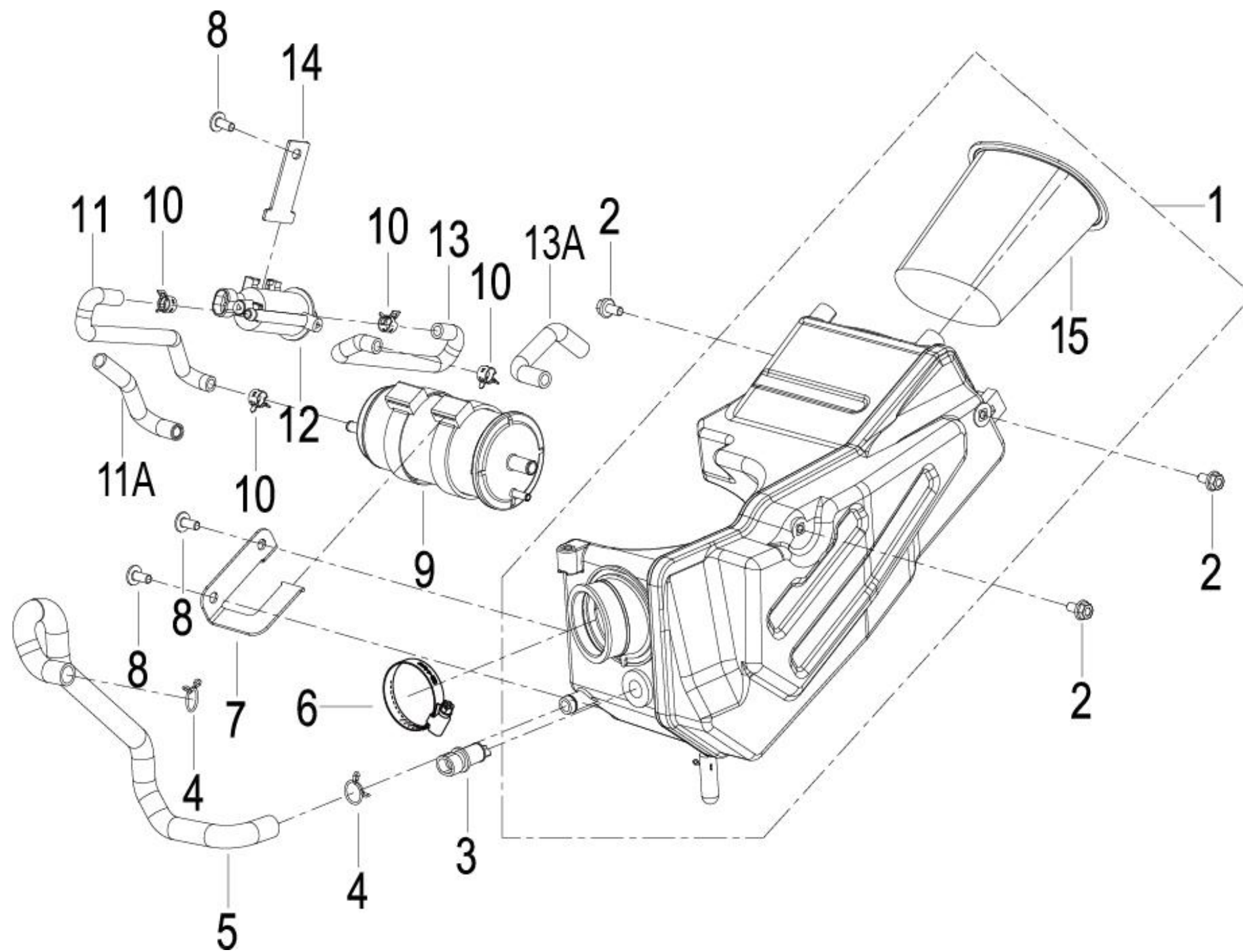
NO.	Position No.	CODE	EN DESCRIPTION	Qty/Unit	Remark
1	F05_1	55900N300010	REAR DISC BRAKE ASSY.	1	
2	F05_1	08012P160000	BOLT M5x16	1	
3	F05_1	55400P100010	REAR MASTER CYLINDER	1	
4	F05_1	B02810802562	BOLT M8x1.25x25	2	
5	F05_1	B0700000080H	SPRING WASHER 8	2	
6	F05_1	55110P100001	REAR BRAKE PADS	1set	Qty/Package: 2
7	F05_1	55500P160000	REAR BRAKE CALIPER	1	
8	F05_1	55200N300000	REART BRAKE HOSE ASSY.I	1	
9	F05_1	57041V030001	TAMPER BRACKET	1	
10	F05_1	B01090602065	SCREW M6x20	1	
11	F05_1	55140P100000	REAR BRAKE CUP	1	
12	F05_1	55037P300000	BRAKE HOSE BANJO BOLT	1	
13	F05_1	45078P300000	WASHER	4	
14	F05_1	55300P100000	REAR BRAKE SWITCH	1	

F06 消声器 MUFFLER ASSY.



NO.	Position No.	CODE	EN DESCRIPTION	Qty/Unit	Remark
1	F06	47200N300041	MUFFLER ASSY,WITHOUT CATALYZER,MARK:e13 BENELLI N30-S1 MAS	1	
2	F06	B0281080256H	BOLT M8x1.25x25	1	
3	F06	B0700000080H	SPRING WASHER 8	1	
5	F06	B0417080004H	NUT M8	1	
6	F06	B0107080146H	BOLT M8x14	2	
7	F06	B0281080256H	BOLT M8x1.25x25	1	
8	F06	65613P260000	COVER BUSH	3	
9	F06	65617H010010	RUBBER SLEEVE II	3	
10	F06	47601N220000	MUFFLER MOUNTING PLATE	1	
11	F06	280586030020	OXYGEN SENSOR	1	
12	F06	47800J060000	EXHAUST PIPE GASKET ASSY	1	
13	F06	B1304060120A	SCREW W/WASHER M6x12	2	
14	F06	47790N300000	MUFFLER PROTECT COVER	1	
15	F06	B02810803562	BOLT M8x1.25x35	1	
16	F06	B0407080005H	NUT M8	1	
17	F06	48200N300041	MUFFLER ASSY II,MARK:e13 BENELLI N30-M1 MAS	1	
18	F06	47830P130000	CLAMP ASSY.Φ40 ~ Φ43	1	
19	F06	B02810803062	BOLT M8x1.25x30	1	
21	F06	B0703000080A	SPRING WASHER 8	1	

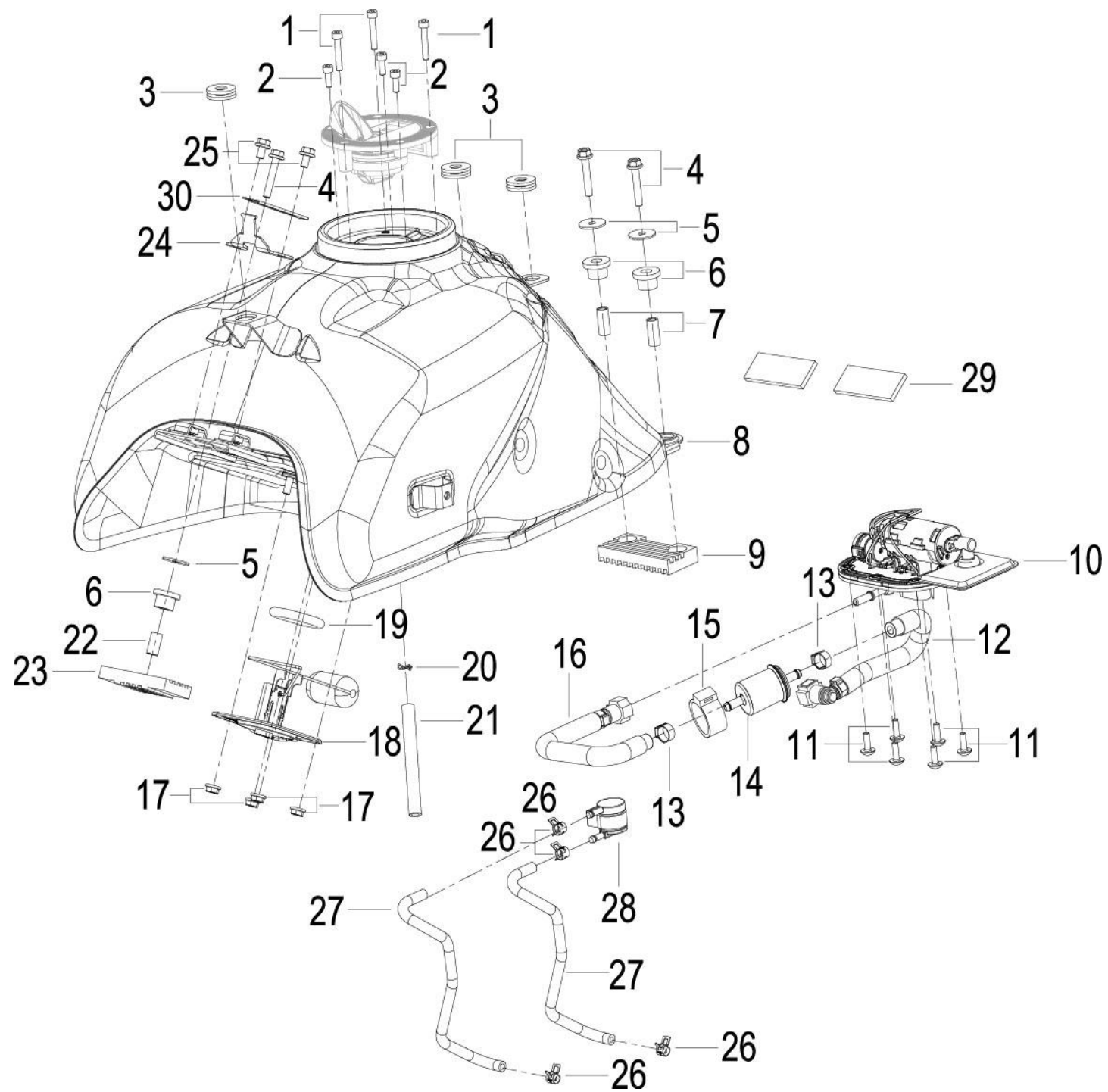
F07 空滤器 AIR CLEANER ASSY.



NO.	Position No.	CODE	EN DESCRIPTION	Qty/Unit	Remark
1	F07	49100N300001	AIR FILTER ASSY	1	
2	F07	B0109060126H	BOLT M6x12	3	
3	F07	310015040000	INTAKE AIRTEMPERATURE SENSOR	1	
4	F07	B17010150003	CLIP 15	2	
5	F07	49311N220001	AIR PRESSURE BALANCE PIPE	1	
6	F07	49016N070000	CLAMP ø50	1	
7	F07	57054N220000	CANISTER MOUNTING PLATE	1	
8	F07	B0283060146H	SCREW M6x14	3	
9	F07	49912K670000	CANISTER	1	
10	F07	50307J140002	PLATE CLAMP ø10	4	
11	F07	49922N220000	CANISTER SOLENOID VALVE WITH CARBON CANISTER TUBE	1	For vehicle Vin before ZBNN30009LBA93975
11A	F07	49922N350000	CANISTER SOLENOID VALVE WITH CARBON CANISTER TUBE	1	Start vin ZBNN30009LBA93975
12	F07	49710N070000	CANISTER SOLENOID VALVE	1	
13	F07	49923N220000	CANISTER SOLENOID VALVE CONNECTED TO THE ENGINE AIR INTAKE PIPE	1	For vehicle Vin before ZBNN30009LBA93975
13A	F07	49923N350000	CANISTER SOLENOID VALVE CONNECTED TO THE ENGINE AIR INTAKE PIPE	1	Start vin ZBNN30009LBA93975
14	F07	57055J690000	ELECTROMAGNETIC VALVE MOUNTING BRACKET	1	
15	F07	49202N220002	FILTER ELEMENT ASSY	1	

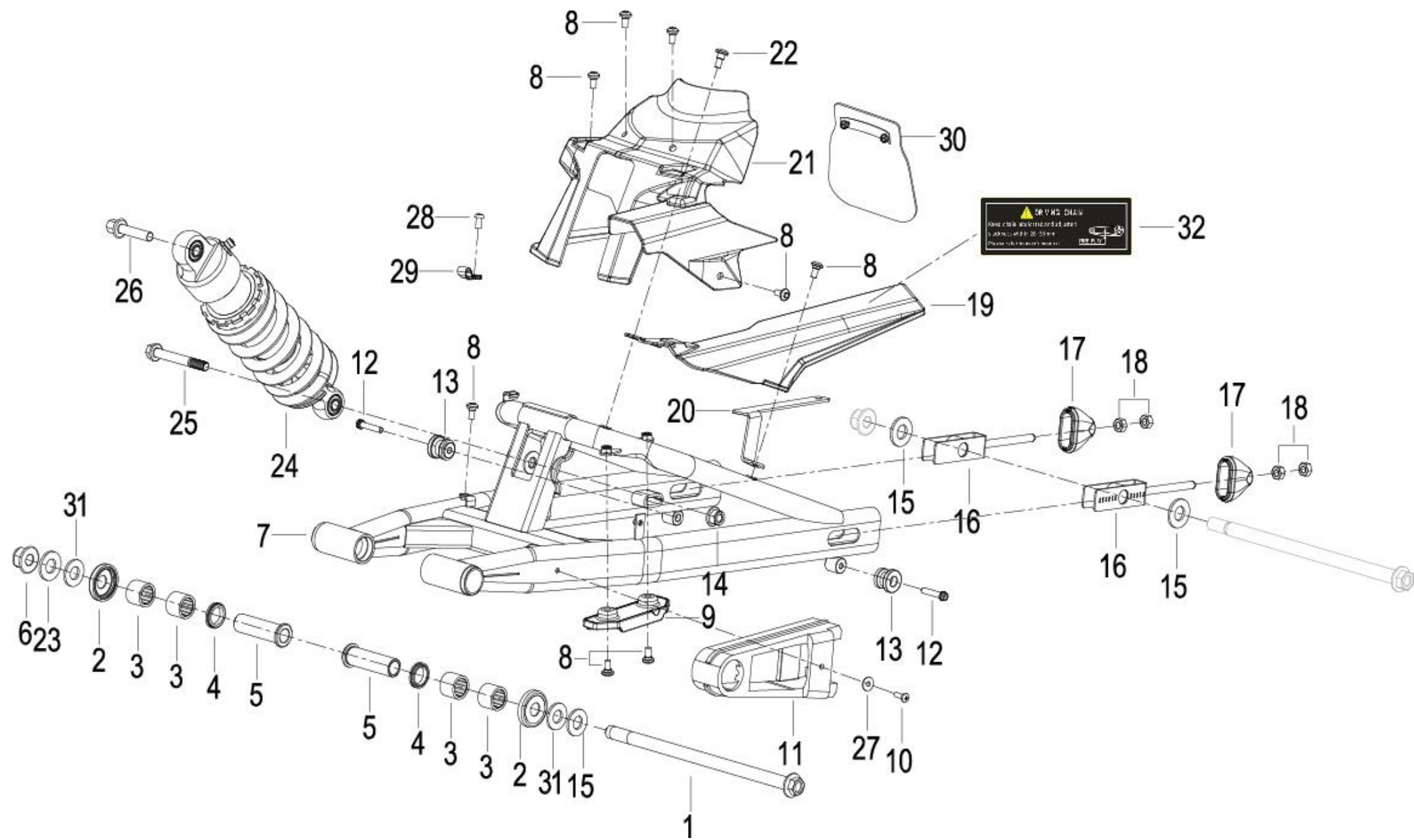


F08 油箱 FUEL TANK ASSY.



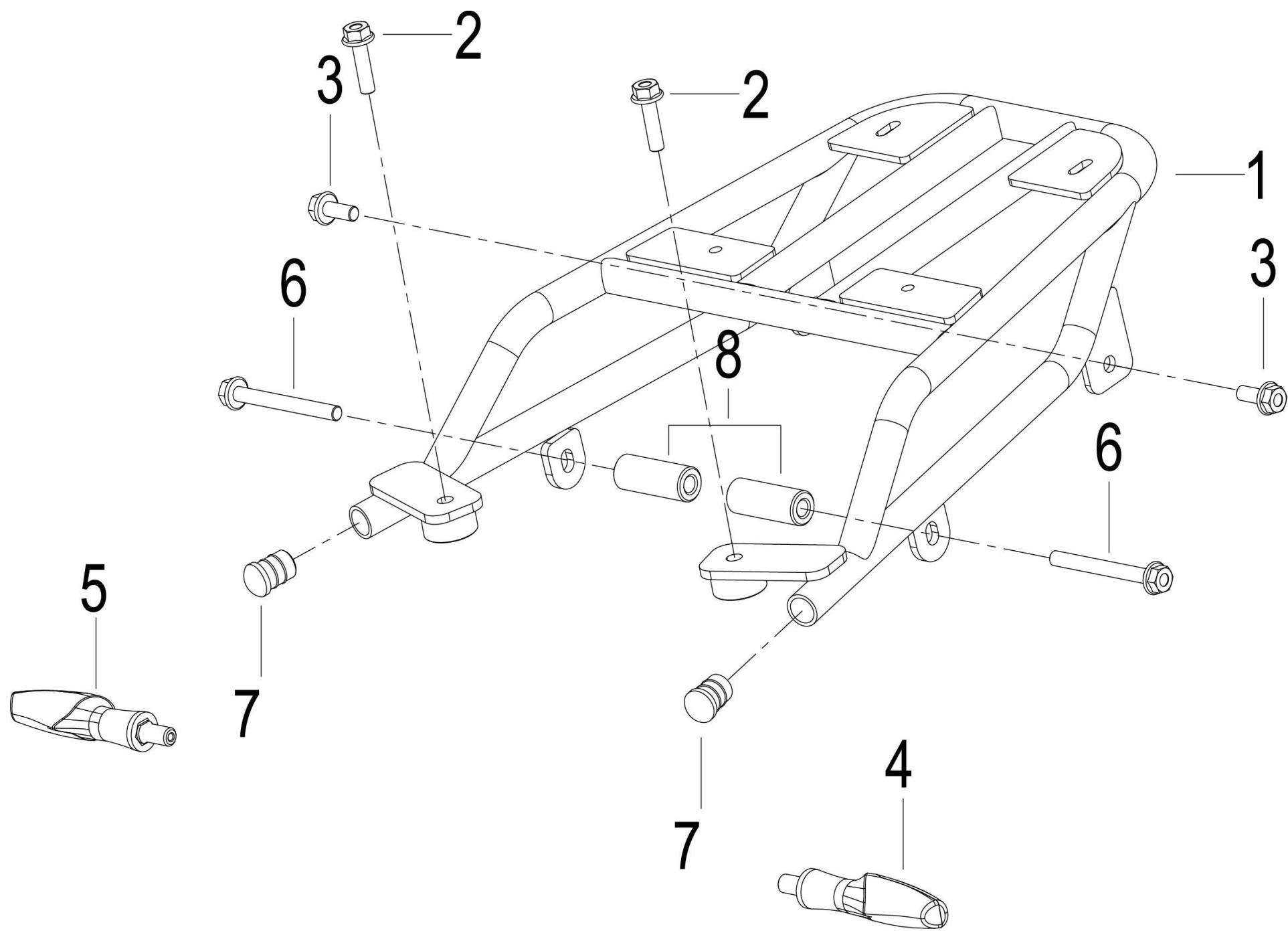
NO.	Position No.	CODE	EN DESCRIPTION	Qty/Unit	Remark
1	F08	B0280050300A	HEXAGON SCREWS M5×30	3	
2	F08	B0280050140A	HEXAGON SCREWS M5×14	3	
3	F08	65618J000000	RUBBER CUSHION	3	
4	F08	B0109060356H	BOLT M6×35	3	
5	F08	08023J000100	FUEL TANK MOUNTING WASHER	3	
6	F08	50222J000001	RUBBER SLEEVE	3	
7	F08	50221J000101	FUEL TANK SHAFT SLEEVE	2	
8	F08	50100N300000	FUEL TANK ASSY	1	
9	F08	50006J000001	FUEL TANK MOUNTING PLATE	1	
10	F08	50400N300000	FUEL PUMP ASSY	1	
11	F08	B0109050166H	BOLT M5×16	6	
12	F08	50370N300000	PIPE ASSY I	1	
13	F08	50307J690000	CLAMP 14.5-706R	2	
14	F08	50340N100001	FUEL FILTER	1	
15	F08	50391N070010	FUEL FILTER JACKET	1	
16	F08	50380N300000	PIPE ASSY II	1	
17	F08	B0407060005H	NUT M6	4	
18	F08	50800N300001	FUEL TANK SENSOR	1	
19	F08	50002K020000	FUEL LEVEL SENSOR RUBBER WASHER	1	
20	F08	B17010105003	WIRE CLAMP Φ10	1	
21	F08	50012T750000	OVER FLOW PIPE	1	
22	F08	53019P250010	DOWEL PIN	1	
23	F08	50005N210000	FUEL TANK RUBBER CUSHION	1	
24	F08	58532N300000	ROLL OVER SENSOR FIXING BOARD	1	
25	F08	B0109060126H	BOLT M6×12	2	
26	F08	50306T450010	PLATE CLAMP φ8	4	
27	F08	B16010C22801	TUBE 4.5×8.5×280	2	
28	F08	50260T730000	ROLL OVER SENSOR	1	
29	F08	58752P250000	BATTERY MAT 65×25×4	2	
30	F08	58430J000000	CLIP ASSY	1	

F09 后摆臂 REAR SWINGING ARM ASSY.



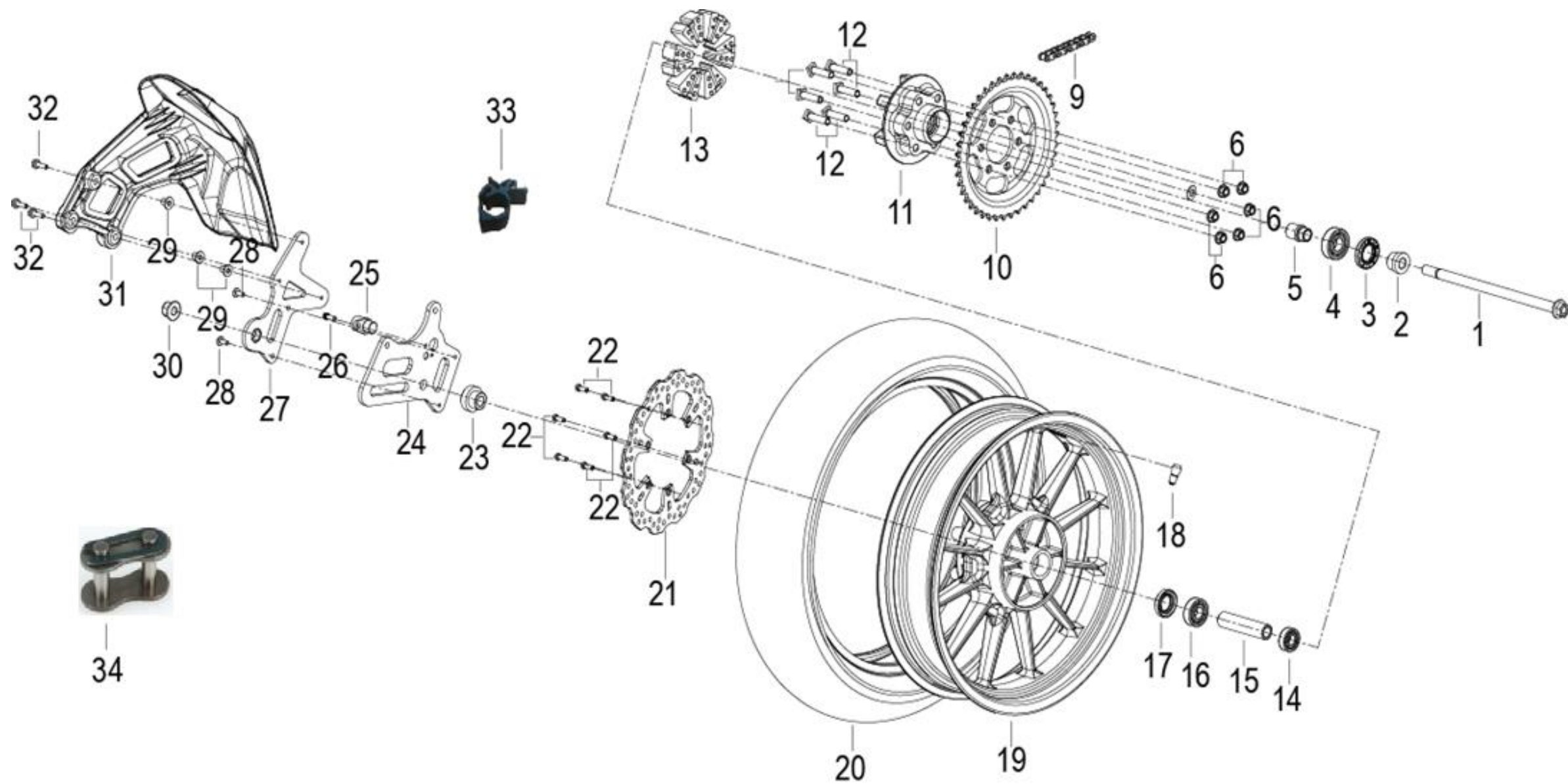
NO.	Position No.	CODE	EN DESCRIPTION	Qty/Unit	Remark
1	F09	53001K740100	SHAFT FIX RR.SWING ARM /M14x1.5x275	1	
2	F09	53220J690000	DUST SEAL ASSY	2	
3	F09	B1212K202000	NEEDLE BEARING HK2020	4	
4	F09	53210J060000	BEARING OIL SEAL	2	
5	F09	53005N300000	REAR SWING ARM SLEEVE	2	
6	F09	B0417141504H	SELF-LOCKING NUT M14x1.5	1	
7	F09	53100N300000	REAR SWING ARM ASSY	1	
8	F09	08018B910100	BOLT M6x14	8	
9	F09	53018P100000	UPPER CHAIN LIMITED BLOCK	1	
10	F09	08012P160000	BOLT M5x16	1	
11	F09	53004N300001	CHAIN SHIELD BLOCK	1	
12	F09	B02810603062	BOLT M6x30	2	
13	F09	53021P250000	BUSH	2	
14	F09	B0417101254H	NUT M10x1.25	1	
15	F09	08021K670000	WASHER $\phi 16 \times \phi 32 \times 2$	3	
16	F09	53230K980100	CHAIN TENSION ADJUSTER ASSEMBLY	2	
17	F09	53234K980000	CHAIN TENSION ADJUSTER RETAINER	2	
18	F09	B0400080005H	NUT M8	4	
19	F09	60101N220001	CHAIN COVER	1	
20	F09	53021N300000	CHAIN COVER FIXING BOARD	1	
21	F09	65761N300000	REAR FENDER,UNDER	1	
22	F09	58603J670100	BOLT M6x16	1	
23	F09	53018K690000	BLACK WASHER,REAR SWING ARM	1	
24	F09	63800N300000	REAR SHOCK ABSORBER ASSY	1	
25	F09	08012V030000	BOLT M10x77	1	
26	F09	08011P100000	REAR SHOCK ABSORBER ASSY BOLT M10x1.25x45	1	
27	F09	08023J000100	WASHER	1	
28	F09	B02810601262	HEXAGON SCREWS M6x12	2	
29	F09	43070J670010	CLUTCH CABLE CLAMP	2	
30	F09	65160J570000	FRONT FENDER RUBBER CUSHION	1	
31	F09	08021N300000	STAINLESS STEEL WASHER $\phi 14.2 \times \phi 32 \times 0.5 \text{mm}$ ,	2	
32	F09	05583L350000	ADJUSTING LABEL,CHAIN	1	

F10 后货架 REAR HANDLE ASSY.



NO.	Position No.	CODE	EN DESCRIPTION	Qty/Unit	Remark
1	F10	52100N300000	REAR CARRIER ASSY	1	
2	F10	B0109080306K	BOLT M8x30	2	
3	F10	B0109080206L	BOLT M8x20	2	
4	F10	81500P160001	REAR LEFT TURN SIGNAL LIGHT	1	For vehicle vin before ZBNN30000LBB02448
4	F10	81500N300000	REAR LEFT TURN SIGNAL LIGHT,WITH WATERPROOF SOCKET	1	Start vin ZBNN30000LBB02448
5	F10	81700P160001	REAR RIGHT TURN SIGNAL LIGHT	1	For vehicle vin before ZBNN30000LBB02448
5	F10	81700N300000	REAR RIGHT TURN SIGNAL LIGHT,WITH WATERPROOF SOCKET	1	Start vin ZBNN30000LBB02448
6	F10	B0109080756H	BOLT M8x75	2	
7	F10	52001J000000	PLUG	2	
8	F10	52009U060000	BUSH	2	

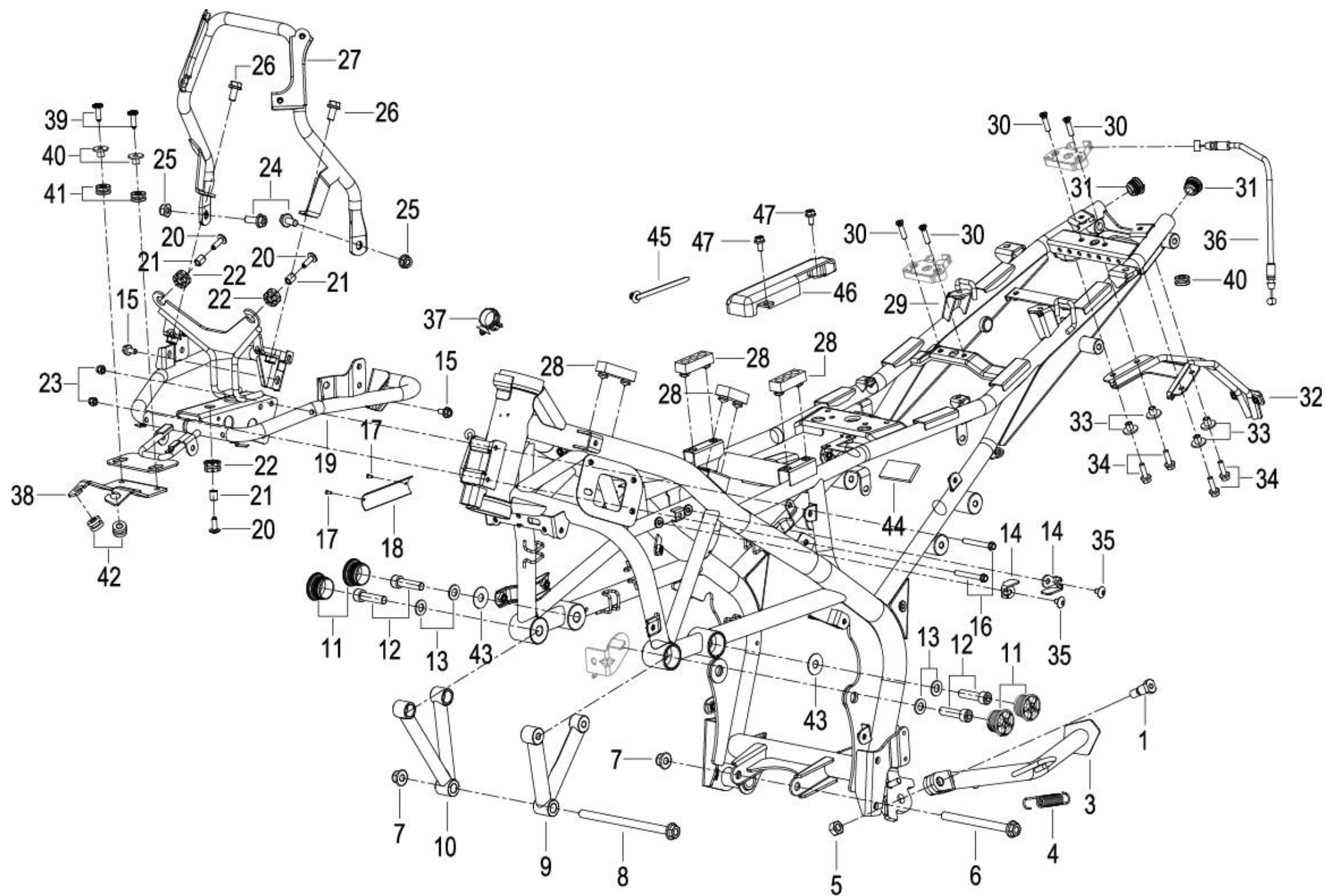
F11 后轮 REAR WHEEL ASSY.



NO.	Position No.	CODE	EN DESCRIPTION	Qty/Unit	Remark
1	F11	54004J670200	REAR WHEEL AXLE M14x1.5x292	1	
2	F11	54016N220100	REAR WHEEL LEFT COLLAR	1	
3	F11	60200J000001	DUST SEAL ASSY	1	
4	F11	B12016020400	BALL BEARING 6204-2RS	1	
5	F11	60006J000001	REAR WHEEL AXLE SLEEVE	1	
6	F11	B0417101254H	NUT M10x1.25	6	
9	F11	B1502X1110B0	CHAIN 520HO-1x110	1	
10	F11	60002N220001	REAR WHEEL SPROCKET 43TEETH	1	
11	F11	60001N210000	REAR WHEEL DRIVE HUB	1	
12	F11	60015M190101	REAR WHEEL SPROCKET MOUNTING BOLT M10x1.25x38	6	
13	F11	54024N210000	REAR WHEEL DRIVE HUB DAMPER	6	
14	F11	B12016020200	BALL BEARING 6202-2RS	1	
15	F11	54006J800000	REAR WHEEL SPACER	1	
16	F11	B12016030200	BALL BEARING 6302-2RS	1	
17	F11	44300J040000	FRONT WHEEL RIGHT OIL SEAL ASSY	1	
18	F11	B1403Z201100	AIR VALVE/RIM VALVE	1	
19	F11	54101N22HT01	REAR RIM ASSY,GREY HT	1	
20	F11	B140110C1700	TUBELESS TYRE 150/60-R17,brand:METZELER	1	
21	F11	55033P100101	REAR BRAKE DISC	1	
22	F11	45036D010200	REAR BRAKE DISC MOUNTING BOLT M6x16	6	
23	F11	55095N220101	BUSH II	1	
24	F11	55411N300000	REAR BRAKE CALIPER MOUNTING BRACKET ASSY	1	
25	F11	94010P100001	FRONT WHEEL ROTATION SENSOR	1	
26	F11	08011P260000	WINDLESHIELD FIXING SCREW M6x8	1	
27	F11	65720N300000	REAR FENDER BRACKET	1	
28	F11	B0283060146H	SCREW M6x14	2	
29	F11	65517K320100	COWLING BUSH	3	
30	F11	B0417141504H	SELF-LOCKING NUT M14x1.5	1	
31	F11	65709N30BG00	SMALL REAR FENDER	1	
32	F11	B01090602065	SCREW M6x20	3	
33	F11	65839P160000	CLIP 0-473	1	
34	F11	B1504X1110B0	CHAIN CONNECTOR 520H0	1	



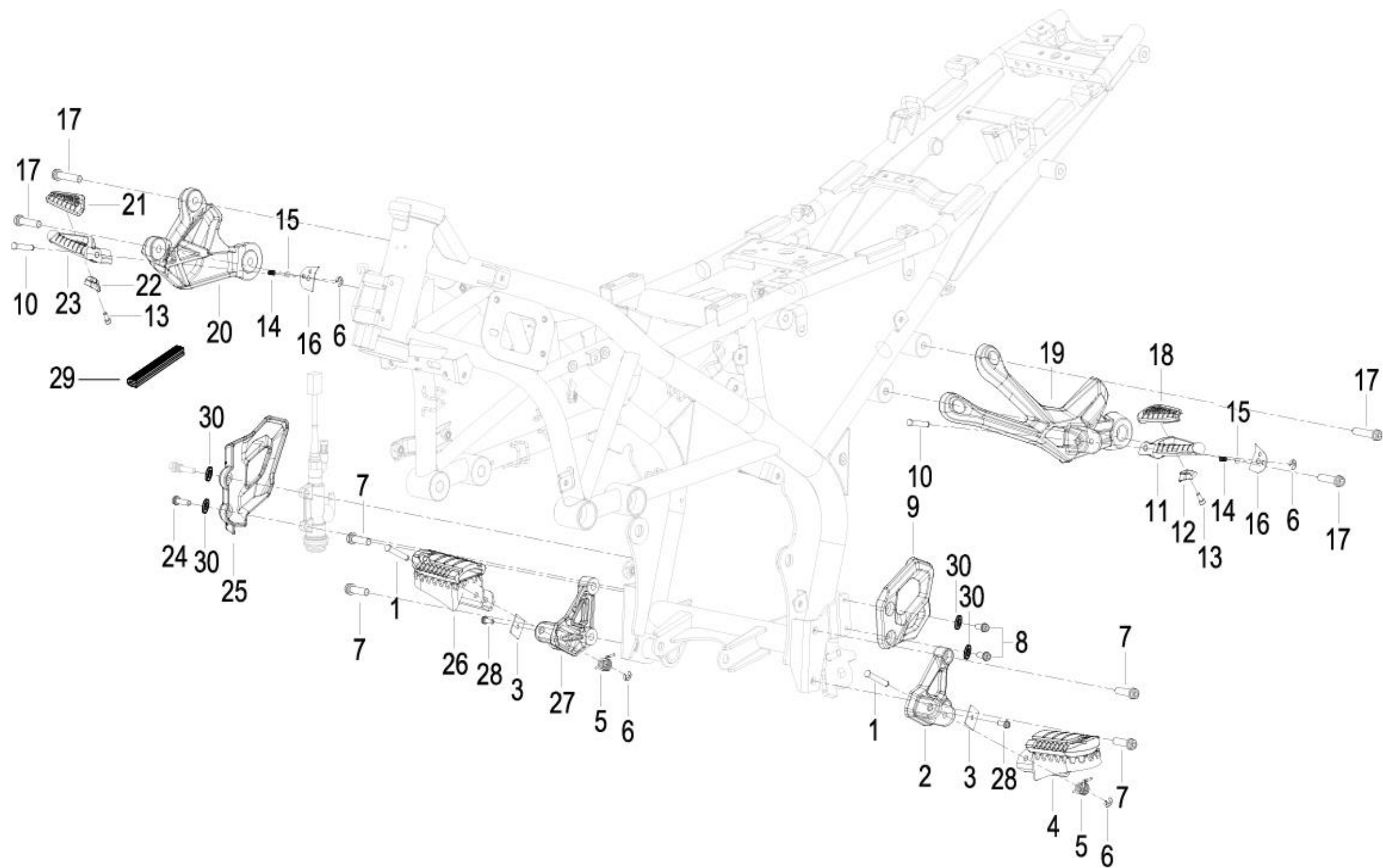
F12 车架 FRAME BODY ASSY.



NO.	Position No.	CODE	EN DESCRIPTION	Qty/Unit	Remark
1	F12	57005V020001	SIDE STAND FIXING BOLT M10x1.25x33	1	
3	F12	58700N300000	SIDE STAND ASSY	1	
4	F12	57003J000070	SPRING ASSY,SIDE STAND	1	
5	F12	B04011012555	NUT M10x1.25	1	
6	F12	B0159101256H	BOLT M10x1.25x125	1	
7	F12	B0417101254H	NUT M10x1.25	2	
8	F12	B0159101656H	BOLT M10x1.25x165	1	
9	F12	57020N220000	LF ENGINE MOUNTING BRACKET ASSY	1	
10	F12	57030N300000	LR ENGINE MOUNTING BRACKET ASSY	1	
11	F12	57142N22C900	ENGINE FRONT MOUNTING BRACKET COVER,SILVER C9	4	
12	F12	B0205100406H	HEXAGON SCREWS M10x40	4	
13	F12	B0703000100H	WASHER 10	4	
14	F12	59421N300000	RECTIFIER FIXING BOARD	2	
15	F12	B0109060126H	BOLT M6x12	2	
16	F12	B0109060506H	BOLT M6x50	2	
17	F12	B100432007P0	RIVET 3.2x7	2	
19	F12	59400N300000	BRACKET ASSY	1	
20	F12	B02830601962	BOLT M6x19	3	
21	F12	65913J820100	BUSH	3	
22	F12	65618J820000	RUBBER CUSHION	3	
23	F12	B0422060004H	NUT M6	2	
24	F12	B0109080206L	BOLT M8x20	2	
25	F12	B0417080004H	NUT M8	2	
26	F12	B0109080166H	BOLT M8x16	2	
27	F12	59460N300000	WINDLESHIELD MOUNTING BRACKET	1	
28	F12	50007K670000	FUEL TANK MOUNTING RUBBER PLATE	4	
29	F12	57100N30BH00	FRAME ASSY,EXTRA BLACK BH	1	
30	F12	B0201060252H	SCREW M6x25	4	
31	F12	52001J360000	PLUG	2	
32	F12	65770N300000	REAR FENDER BRACKET	1	
33	F12	08305B400100	BUSH	4	
34	F12	B0109060206K	BOLT M6x20	4	
35	F12	B02830600862	SCREW M6x8	2	
36	F12	58900P160000	SEAT LOCK CABLE ASSY	1	
37	F12	65832P160000	CLIP ZT-35	1	
38	F12	59431N300000	FACEPLATE SUPPORT BOARD	1	
39	F12	B0284060250A	STAINLESS SCREW M6x25	2	
40	F12	65517J900101	HEADLIGHT BRACKET BUSH	2	

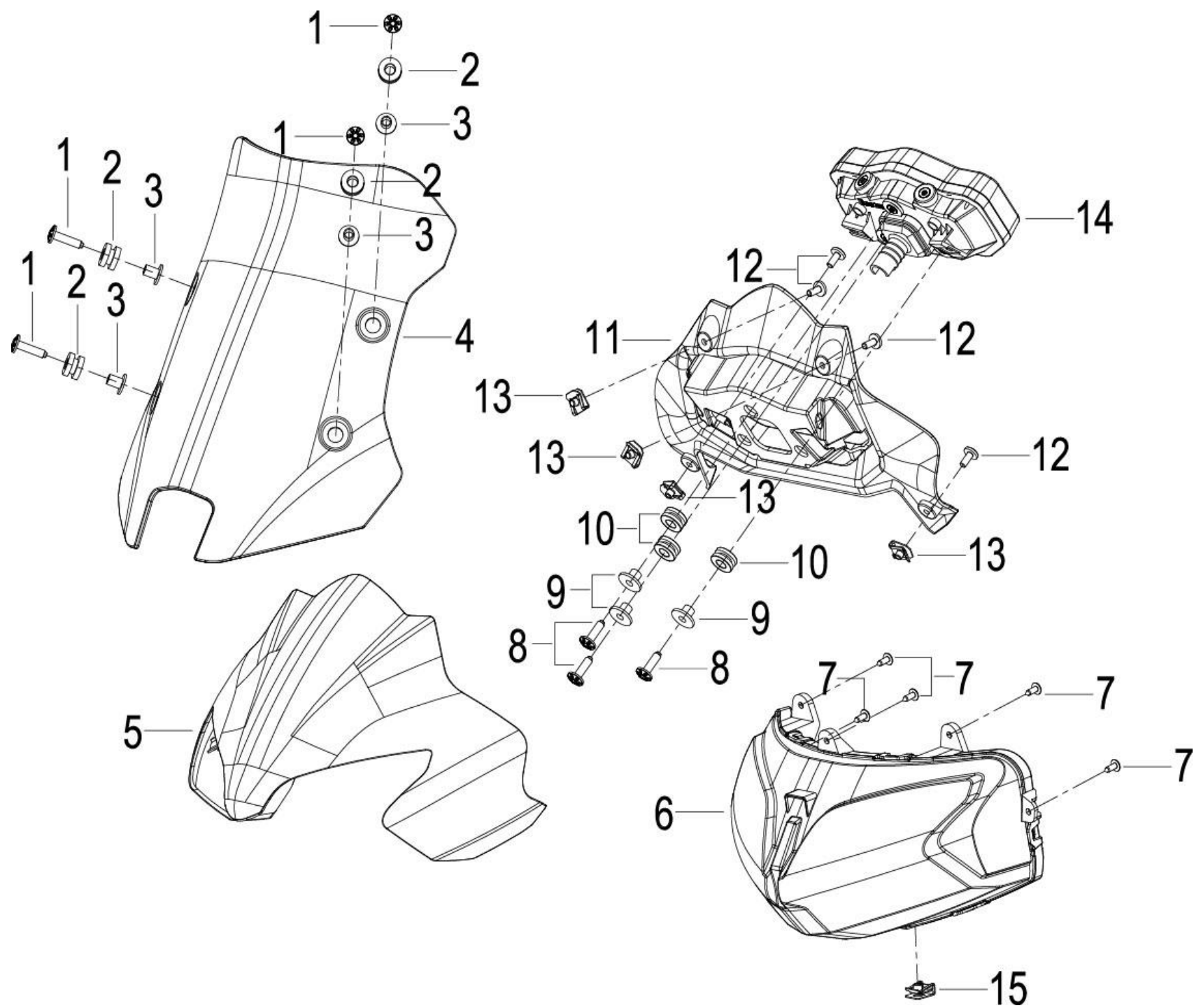
NO.	Position No.	CODE	EN DESCRIPTION	Qty/Unit	Remark
41	F12	65616L430000	RUBBER CUSHION	3	
42	F12	81708S010000	RUBBER BUSH 8x18x4x12x4x4	2	
43	F12	43025K670000	STEERING WASHER	2	
44	F12	65436T490000	SPONG MAT I 65x50x2	1	
45	F12	96001P360000	BAND 5x210	32	
46	F12	02131N300000	TOOL KIT BOX	1	
47	F12	B0109060106H	BOLT M6x10	2	

F13 踏蹬 PEDALING ASSY.



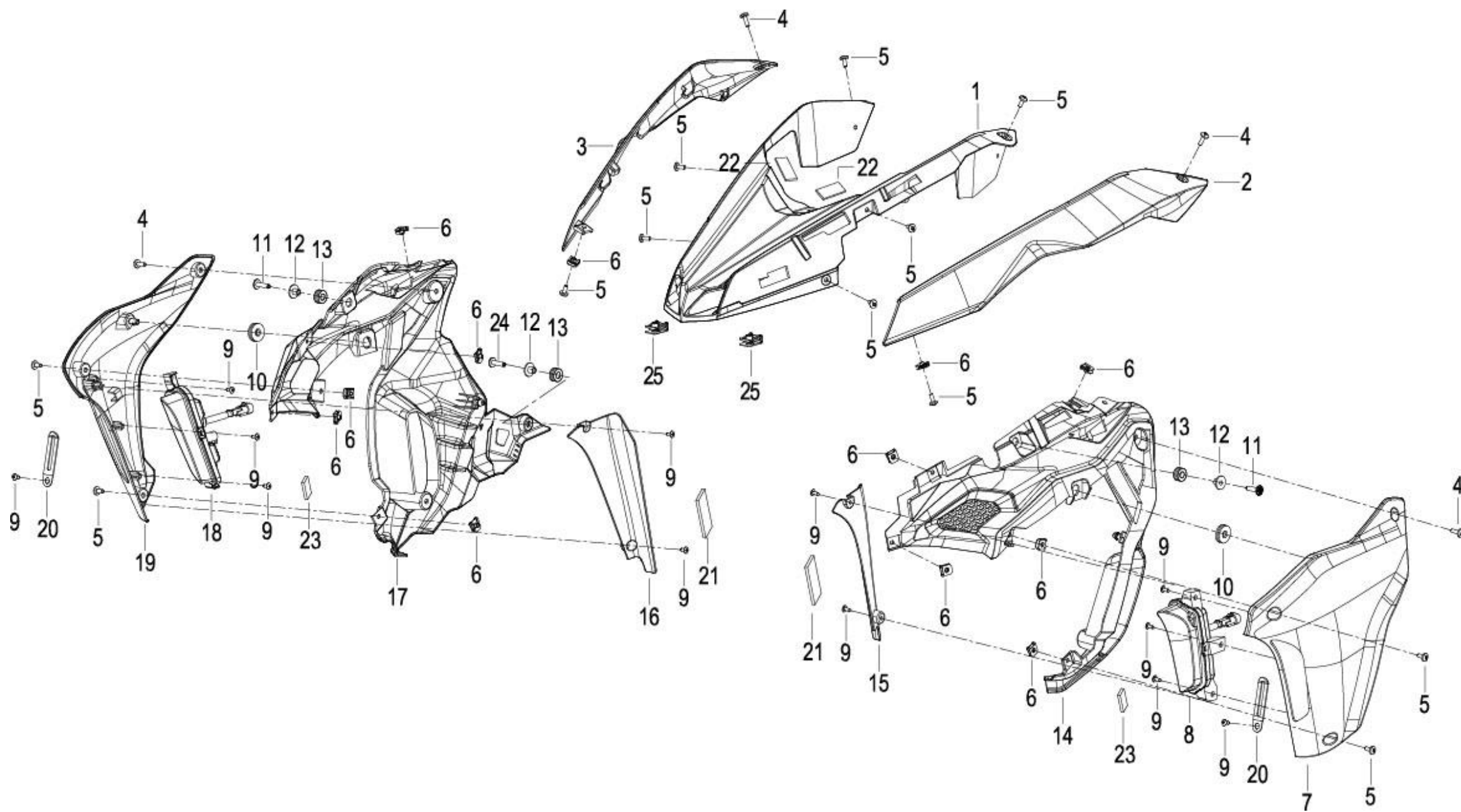
NO.	Position No.	CODE	EN DESCRIPTION	Qty/Unit	Remark
1	F13	58217P260000	FOOTREST MOUNTING PIN	2	
2	F13	58226P160000	LEFT FRONT FOOTREST BRACKET	1	
3	F13	58256P160000	FIXING BORAD	2	
4	F13	58220P160001	LEFT FRONT FOOTREST ASSY.	1	
5	F13	58202D010100	SPRING	2	
6	F13	B0882000050A	CLIP $\Phi$ 5	4	
7	F13	B02810802062	BOLT M8x1.25x20	4	
8	F13	B02810601262	HEXAGON SCREWS M6x12	2	
9	F13	58211P160000	LEFT DECORATIVE BOARD	1	
10	F13	58217S010001	FOOTREST MOUNTING PIN	2	
11	F13	58266S010000	LEFT REAR FOOTREST	1	
12	F13	58205S020000	LEFT FOOTREST RUBBER PAD	1	
13	F13	B0280040100A	SCREW M4x10	2	
14	F13	58222B930000	REAR FOOTREST SPRING	2	
15	F13	B06000002000	REAR FOOTREST BALL	2	
16	F13	58451S010000	FOOTREST BRACKET PLATE	2	
17	F13	B0281080256H	BOLT M8x1.25x25	4	
18	F13	08352S020000	LEFT FOOTREST RUBBER	1	
19	F13	58266N300000	LEFT REAR FOOTREST BRACKET	1	
20	F13	58286N300000	RIGHT REAR FOOTREST BRACKET	1	
21	F13	08372S020000	RIGHT PEDAL RUBBER	1	
22	F13	58405S020000	RIGHT FOOTREST RUBBER PAD	1	
23	F13	58286S010000	RIGHT REAR PEDAL	1	
24	F13	B02810602062	BOLT M6x20	1	
25	F13	58311P160000	RIGHT DECORATIVE BOARD	1	
26	F13	58240P160001	RIGHT FRONT FOOTREST ASSY.	1	
27	F13	58246P160000	RIGHT FRONT FOOTREST BRACKET	1	
28	F13	B02810501262	SCREW M5x0,8x12	2	
29	F13	65508T750000	PACKAGE EDGE STRIP	1	
30	F13	B0703000060H	WASHER 6	4	

F14 导流罩 BRACKET ASSY.



NO.	Position No.	CODE	EN DESCRIPTION	Qty/Unit	Remark
1	F14	B0284060250A	STAINLESS SCREW M6x25	4	
2	F14	65517K320100	COWLING BUSH	4	
3	F14	81708S010000	RUBBER BUSH 8x18x4x12x4x4	4	
4	F14	65503N300000	WINDLESHIELD MOUNTING BRACKET	1	
5	F14	65501N30002Z	COWLING,DARK GREY JH,WITH STICKER	1	
5	F14	65501N30003Z	COWLING,RED TL,WITH STICKER	1	
5	F14	65501N30004Z	COWLING,BLACK B1,WITH STICKER	1	
6	F14	80000N300000	HEADLIGH	1	
7	F14	B0507420160H	TAPPING SCREW ST4.2x16	5	
8	F14	08012P160000	BOLT M5x16	3	
9	F14	65517J900101	HEADLIGHT BRACKET BUSH	3	
10	F14	65616L430000	RUBBER CUSHION	3	
11	F14	65202N300000	SPEEDOMETER FIXING BOARD	1	
12	F14	B0507420130H	TAPPING SCREW ST4.2x13	4	
13	F14	65801T850100	CARD ST4.2	4	
14	F14	70000N300000	SPEEDOMETER ASSY.	1	
15	F14	65803S010010	NUT	1	

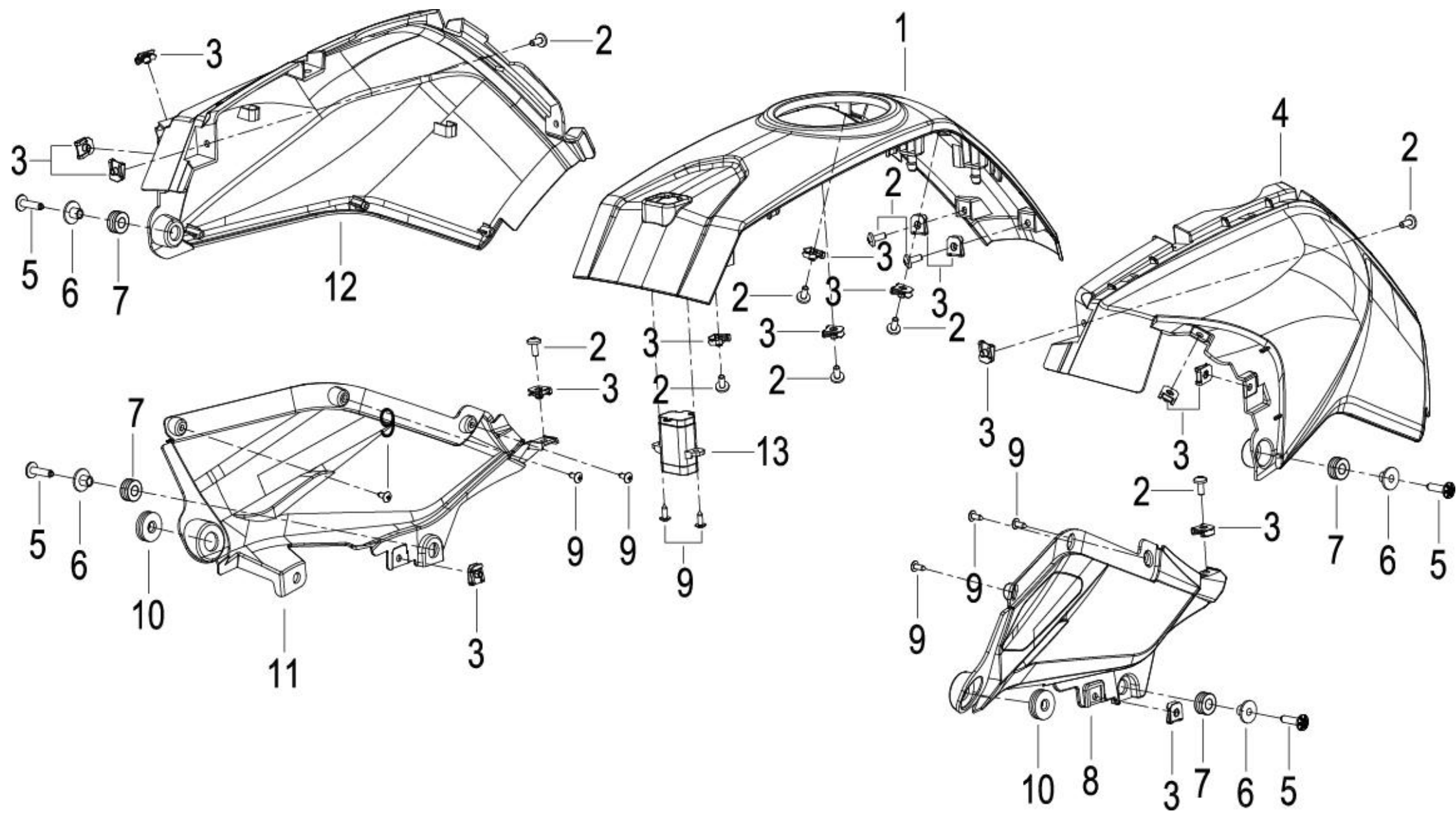
F15 前大罩 FRONT COVER ASSY.





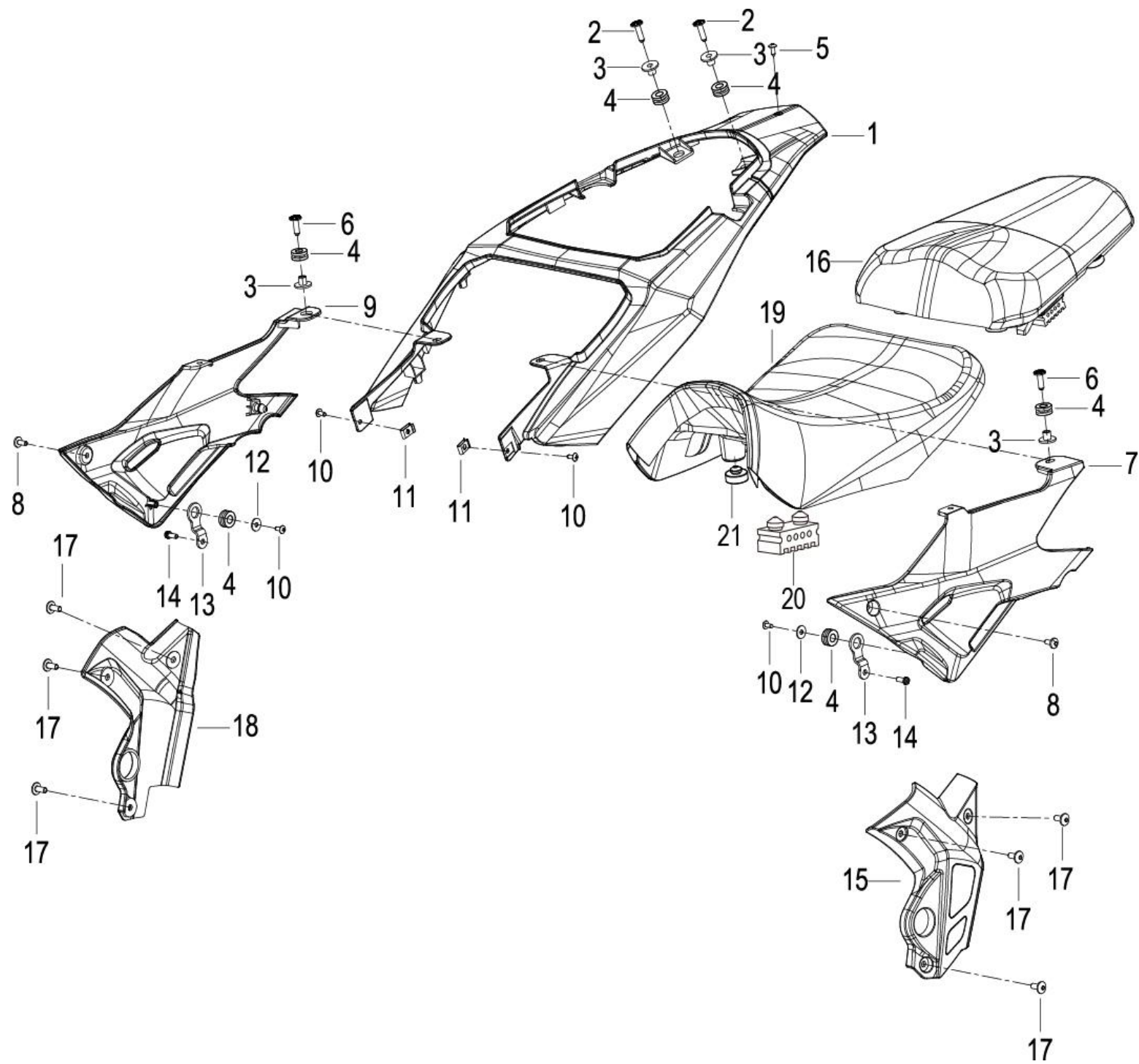
NO.	Position No.	CODE	EN DESCRIPTION	Qty/Unit	Remark
1	F15	65301N300000	FRONT FACEPLATE	1	
2	F15	65303N30002Z	FACEPLATE LEFT DECORATIVE BOARD,DARK GREY JH,WITH STICKER	1	
2	F15	65303N30003Z	FACEPLATE LEFT DECORATIVE BOARD,RED TL,WITH STICKER	1	
2	F15	65303N30004Z	FACEPLATE LEFT DECORATIVE BOARD,BLACK B1,WITH STICKER	1	
3	F15	65309N30002Z	FACEPLATE RIGHT DECORATIVE BOARD,DARK GREY JH,WITH STICKER	1	
3	F15	65309N30003Z	FACEPLATE RIGHT DECORATIVE BOARD,RED TL,WITH STICKER	1	
3	F15	65309N30004Z	FACEPLATE RIGHT DECORATIVE BOARD,BLACK B1,WITH STICKER	1	
4	F15	08012P160000	BOLT M5x16	4	
5	F15	08011P160000	BOLT M5x12	14	
6	F15	65624P160000	NUT M5	12	
7	F15	65402N30002Z	LEFT FACEPLATE,DARK GREY JH,WITH STICKER	1	
7	F15	65402N30003Z	LEFT FACEPLATE,RED TL,WITH STICKER	1	
7	F15	65402N30004Z	LEFT FACEPLATE,BLACK B1,WITH STICKER	1	
8	F15	81100N300000	FRONT LEFT TURN SIGNAL LIGHT	1	For vehicle vin before ZBNN30000LBB02448
8	F15	81100N300001	FRONT LEFT TURN SIGNAL LIGHT,WITH WATERPROOF SOCKET	1	Start vin ZBNN30000LBB02448
9	F15	B0507420130H	TAPPING SCREW ST4.2x13	12	
10	F15	65618J000000	RUBBER CUSHION	2	
11	F15	B01090602065	SCREW M6x20	2	
12	F15	65517J900101	HEADLIGHT BRACKET BUSH	3	
13	F15	65616L430000	RUBBER CUSHION	3	
14	F15	65316N300000	LEFT CONNECT BOARD	1	
15	F15	65683N300000	RADIATOR LEFT PROTECT PLATE	1	
16	F15	65684N300000	RADIATOR RIGHT PROTECT PLATE	1	
17	F15	65317N300000	RIGHT FRONT FACEPLATE CONNECT BOARD	1	
18	F15	81300N300000	FRONT RIGHT TURN SIGNAL LIGHT	1	For vehicle vin before ZBNN30000LBB02448
18	F15	81300N300001	FRONT RIGHT TURN SIGNAL LIGHT,WITH WATERPROOF SOCKET	1	Start vin ZBNN30000LBB02448
19	F15	65422N30002Z	RIGHT FACEPLATE,DARK GREY JH,WITH STICKER	1	
19	F15	65422N30003Z	RIGHT FACEPLATE,RED TL,WITH STICKER	1	
19	F15	65422N30004Z	RIGHT FACEPLATE,BLACK B1,WITH STICKER	1	
20	F15	58430J000000	CLIP ASSY	2	
21	F15	82044L290000	SPONGE PAD	2	
22	F15	58752P250000	BATTERY MAT 65x25x4	2	
23	F15	81073N300000	SPONGE 7x25x2	2	
24	F15	B0284060250A	SCREW M6x25	1	
25	F15	65803S010010	NUT	2	

F16 油箱护板 FUEL TANK SODE COVER ASSY.



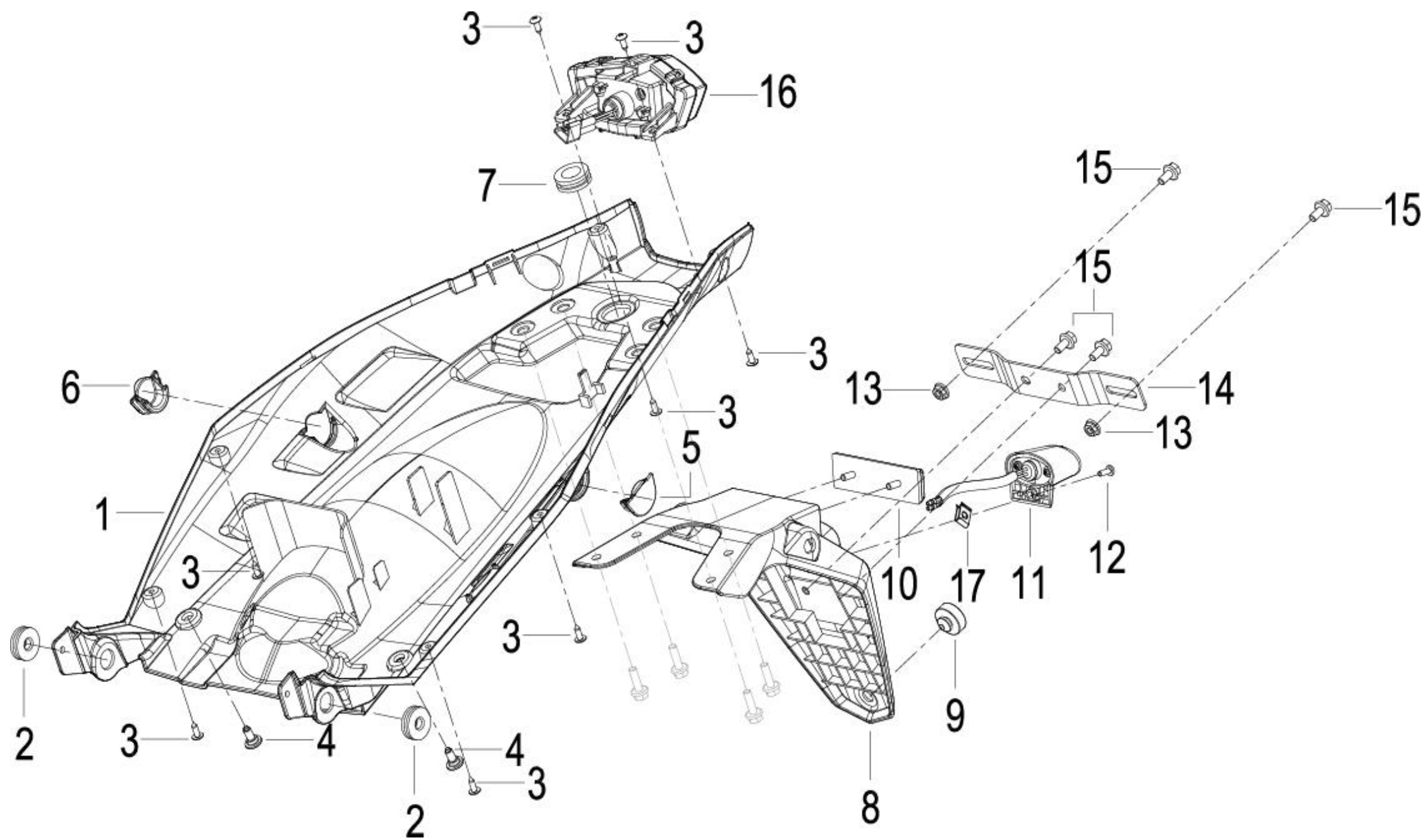
NO.	Position No.	CODE	EN DESCRIPTION	Qty/Unit	Remark
1	F16	65672N30BA00	MIDDLE PROTECT COVER,FUEL TANK,SATIN BLACK BA	1	
2	F16	08011P160000	BOLT M5x12	10	
3	F16	65624P160000	NUT M5	18	
4	F16	50015N30002Z	LEFT PROTECT COVER,FUEL TANK,DARK GREY JH,WITH STICKER	1	
4	F16	50015N30003Z	LEFT PROTECT COVER,FUEL TANK,RED TL,WITH STICKER	1	
4	F16	50015N30004Z	LEFT PROTECT COVER,FUEL TANK,BLACK B1,WITH STICKER	1	
5	F16	B01090602065	SCREW M6x20	4	
6	F16	65517J900101	HEADLIGHT BRACKET BUSH	4	
7	F16	65616L430000	RUBBER CUSHION	4	
8	F16	65673N300000	FUEL TANK LEFT LOW SIDE COVER	1	
9	F16	B0507420130H	TAPPING SCREW ST4.2x13	8	
10	F16	65618J000000	RUBBER CUSHION	2	
11	F16	65674N300000	FUEL TANK RIGHT LOW SIDE COVER	1	
12	F16	50016N30002Z	RIGHT PROTECT COVER,FUEL TANK,DARK GREY JH,WITH STICKER	1	
12	F16	50016N30003Z	RIGHT PROTECT COVER,FUEL TANK,RED TL,WITH STICKER	1	
12	F16	50016N30004Z	RIGHT PROTECT COVER,FUEL TANK,BLACK B1,WITH STICKER	1	
13	F16	99700N300000	USB CHARGER	1	

F17 护板 SIDE COVER ASSY.



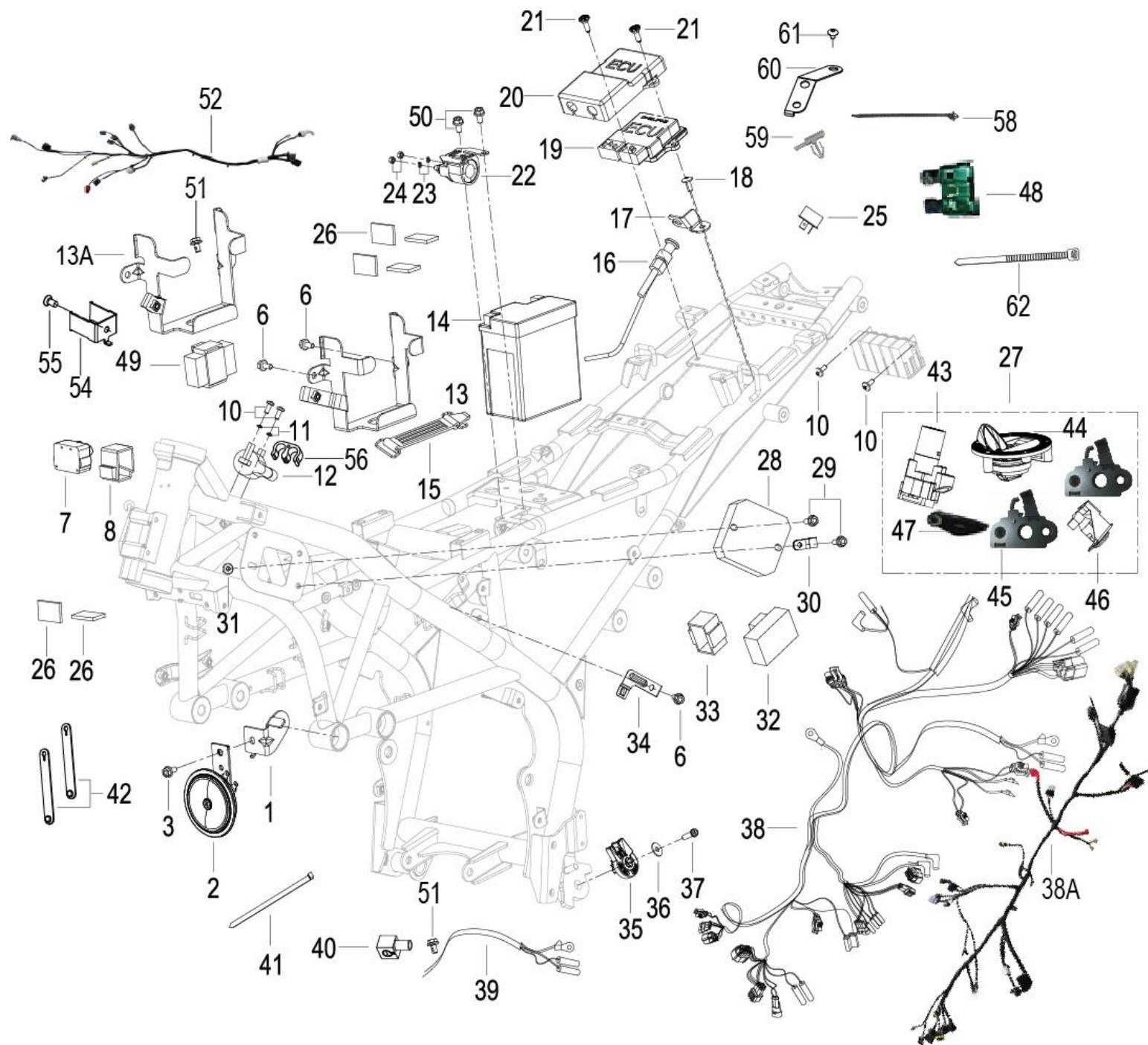
NO.	Position No.	CODE	EN DESCRIPTION	Qty/Unit	Remark
1	F17	65901N30006Z	REAR TAIL COVER,DARK GREY JH,WITH STICKER	1	
1	F17	65901N30007Z	REAR TAIL COVER,RED TL,WITH STICKER	1	
1	F17	65901N30008Z	REAR TAIL COVER,BLACK B1,WITH STICKER	1	
2	F17	B01090602065	SCREW M6x20	2	
3	F17	65517J900101	HEADLIGHT BRACKET BUSH	4	
4	F17	65616L430000	RUBBER CUSHION	6	
5	F17	08001B470000	SCREW ST4.2x13	1	
6	F17	B0284060250A	STAINLESS SCREW M6x25	2	
7	F17	65601N300000	LEFT SIDE COVER	1	
8	F17	08011P160000	BOLT M5x12	2	
9	F17	65602N300000	RIGHT SIDE COVER	1	
10	F17	B0507420101H	TAPPING SCREW ST4.2x10	4	
11	F17	65801T850100	CARD ST4.2	2	
12	F17	B0702000050H	WASHER 5	2	
13	F17	57962N300000	CONNECT BOARD IV	2	
14	F17	B02810501262	SCREW M5x0,8x12	2	
15	F17	58211N300000	LEFT DECORATIVE BOARD	1	
16	F17	51200N300020	REAR SEAT ASSY	1	Leather: import
17	F17	B0283060146H	SCREW M6x14	6	
18	F17	58311N300000	RIGHT DECORATIVE BOARD	1	
19	F17	51100N300020	FRONT SEAT ASSY	1	Leather: import
21	F17	51103V030000	SEAT RUBBER CUSHION,ROUND	6	

F18 后挡泥板 REAR FENDER ASSY



NO.	Position No.	CODE	EN DESCRIPTION	Qty/Unit	Remark
1	F18	65731N300000	REAR FENDER,FRONT	1	
2	F18	65618J000000	RUBBER CUSHION	2	
3	F18	B0507420130H	TAPPING SCREW ST4.2x13	8	
4	F18	08002P260000	WINDLESHIELD FIXING SCREW M6x10	2	
5	F18	65718N300000	LEFT PLUG,REAR FENDER	1	
6	F18	65719N300000	RIGHT PLUG,REAR FENDR	1	
7	F18	65713H160000	REAR FENDER RUBBER CUSHION	1	
8	F18	65701N300000	REAR FENDER	1	
9	F18	51103V030000	RUBBER CUSHION	1	
10	F18	86500B720001	REAR REFLECTOR	1	
11	F18	82500T480000	REAR LICENSE PLATE LIGHT	1	
12	F18	B0500420130H	SCREW ST4.2x13	1	
13	F18	B0407060005H	NUT M6	2	
14	F18	08252H290000	BRACKET LINCERSE PLATE	1	
15	F18	B01090601665	BOLT M6x16	4	
16	F18	82000N300000	TAIL LIGHT	1	
17	F18	65801T850100	CARD ST4.2	1	

F19 电器 ELECTRICAL EQUIPMENT ASSY.

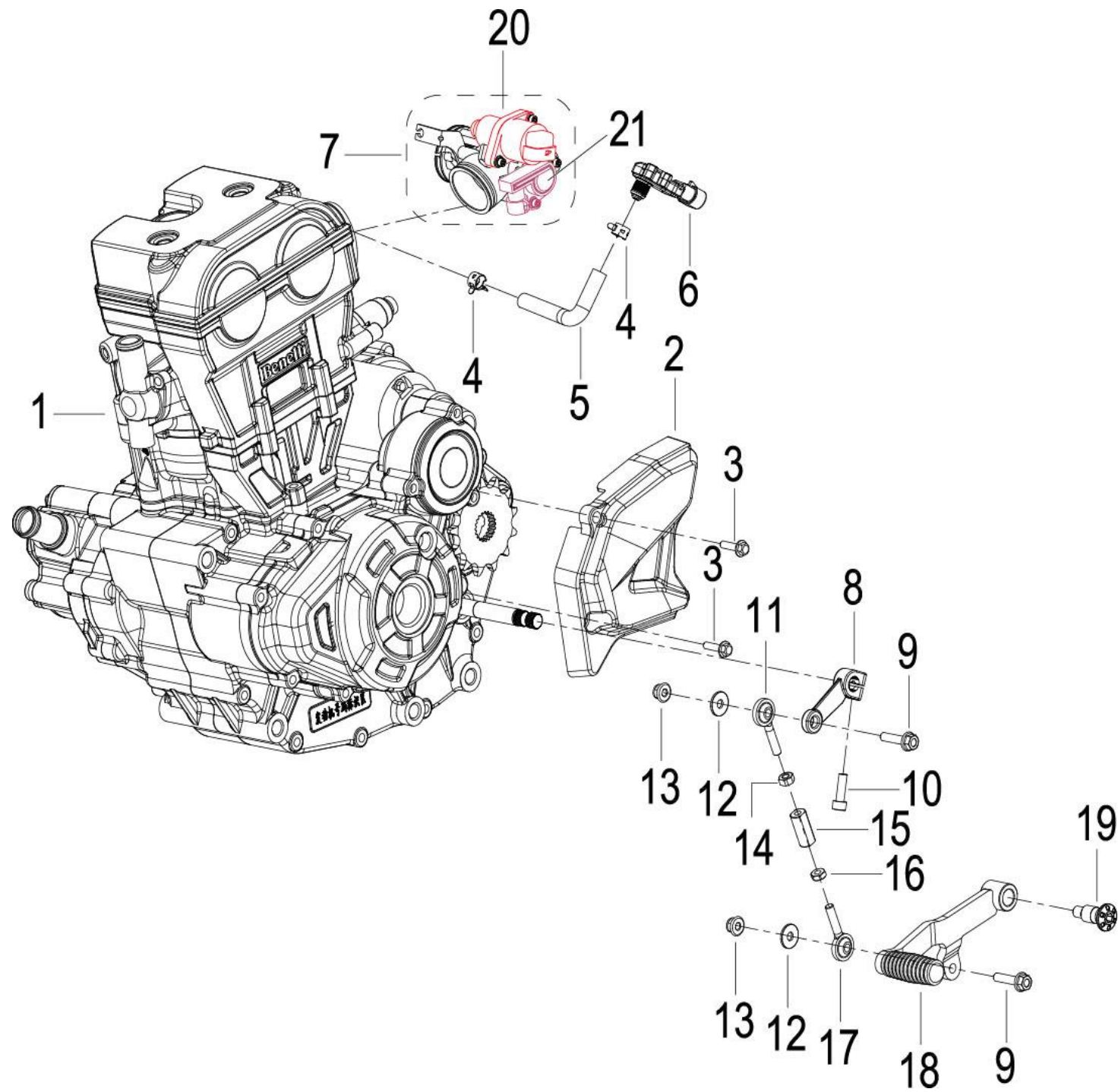




NO.	Position No.	CODE	EN DESCRIPTION	Qty/Unit	Remark
1	F19	59440N220000	HORN PLATE	1	
2	F19	95100J820000	HORN	1	
3	F19	B0109080166H	BOLT M8x16	1	
6	F19	B0109060126H	BOLT M6x12	3	
7	F19	91210N300000	ROLL OVER SENSOR	1	
8	F19	98901S010000	BUSH RUBBER,SENSOR	1	
10	F19	08011P160000	BOLT M5x12	4	
11	F19	B0721000050H	WASHER 5	2	
12	F19	96200N300000	IGNITION COIL		
13	F19	58750N300000	BATTERY BRACKET	1	For vehicle Vin before ZBNN30009LBA93975
13A	F19	58750N350000	BATTERY BRACKET	1	Start vin ZBNN30009LBA93975
14	F19	96100V030000	BATTERY YTX7L-BS	1	
15	F19	96020N220001	BATTERY BAND	1	
16	F19	40680N300000	SEAT LOCK CABLE ASSY	1	
17	F19	58851P250100	SEAT CUSHION ROPE BRACKETS	1	
18	F19	B0283060146H	SCREW M6x14	1	
19	F19	96C00N300000	ECU	1	
20	F19	96C21L290000	ECU WATERPROOF COVER	1	
21	F19	B0284060190A	SCREW M6x19.2	2	
22	F19	94100J000002	STARTER RELAY	1	
23	F19	B0700000060H	SINGLE COIL SPRING LOCK WASHER 6	2	
24	F19	B0400060005H	NUT M6	2	
25	F19	96700K060000	STARTER DIODE	1	
26	F19	65764T490000	SPONGE PAD I	6	
27	F19	88000N300000	LOCK ASSY	1	
28	F19	299066080010	RECTIFIER	1	
29	F19	B01090601665	BOLT M6x16	2	
30	F19	43070J670010	CLUTCH CABLE CLAMP	1	
31	F19	B0407060005H	NUT M6	1	
32	F19	96400H390001	FLASHER	1	
33	F19	96007B720000	IGNITION BAG	1	
34	F19	96911T740100	INTAKE AIR PRESSURE SENSOR BRACKET,MATT BLACK	1	
35	F19	91170V020000	SIDE STAND SWITCH	1	
36	F19	B0702000060H	WASHER 6	1	
37	F19	B02810602062	BOLT M6x20	1	
38	F19	92000N300001	WIRE HARNESS ASSY,AHO	1	AHO,for vehicle vin before ZBNN30000LBB02448
38A	F19	92050N300003	WIRE HARNESS ASSY,AHO	1	AHO,start vin ZBNN30000LBB02448

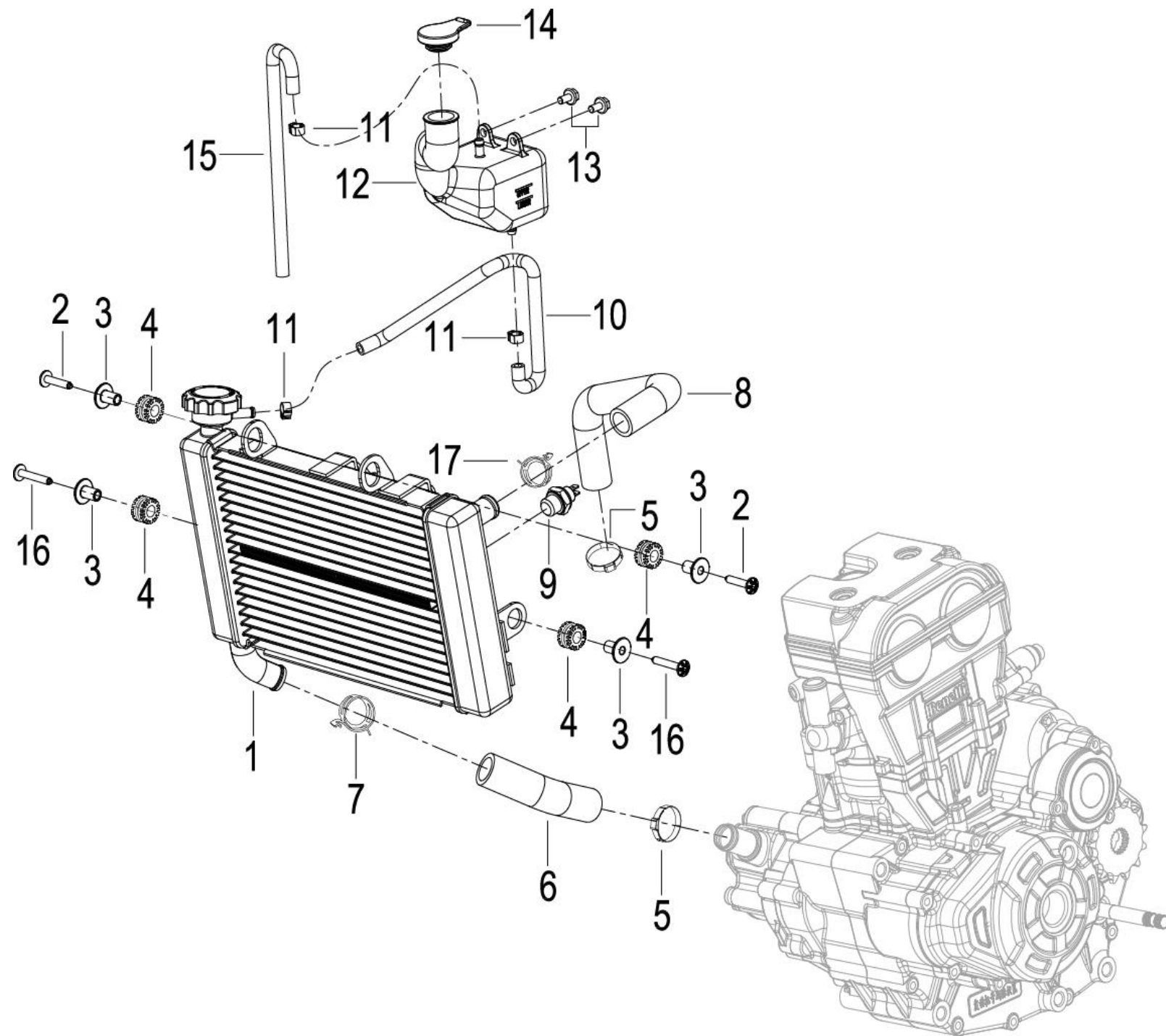
NO.	Position No.	CODE	EN DESCRIPTION	Qty/Unit	Remark
39	F19	92500N350000	EARTH WIRE	1	
40	F19	94118B910000	EARTH WIRE JACKET	1	
41	F19	40098B450000	BAND 3x150MM	6	
42	F19	96003P250000	RUBBER CLIP	2	
43	F19	88100N300000	POWER LOCK	1	
44	F19	88400N300000	FUEL TANK LOCK	1	
45	F19	58800S010000	BASE,SEAT LOCK,FRONT	2	
46	F19	88800N300000	SEAT LOCK	1	
47	F19	88900P260000	KEY NUT	1	
48	F19	96820N120000	FUSE 30A	1	
48	F19	96830P250000	FUSE 10A	2	
48	F19	96840P250000	FUSE 15A	1	
48	F19	96810N300000	FUSE 25A	1	
49	F19	94400N140000	CONTROLLER,mark:250T-4	1	AHO
50	F19	B0109060086H	BOLT M6x8	2	
51	F19	08013P100000	BOLT M6x16	1	For vehicle vin before ZBNN30000LBB02448
51	F19	08013P100000	BOLT M6x16	4	Start vin ZBNN30000LBB02448
52	F19	92070N300000	EFI WIRE HARNESS ASSY	1	Start vin ZBNN30000LBB02448
54	F19	57437N290000	FLASHER FIXING BOARD	1	Start vin ZBNN30000LBB02448
55	F19	B0201060122H	SCREW M6x12	1	Start vin ZBNN30000LBB02448
56	F19	43035J040000	CLIP	1	Start vin ZBNN30000LBB02448
58	F19	96001N350000	BAND	5	Start vin ZBNN30000LBB02448
59	F19	92928P290000	OXYGEN SENSOR CLIP	1	Start vin ZBNN30000LBB02448
60	F19	59471N350000	WIRE FIXING BRACKET	1	Start vin ZBNN30000LBB02448
61	F19	B02830600862	SCREW M6x8	1	Start vin ZBNN30000LBB02448
62	F19	96003P360000	NYLON BAND 5x300	1	Start vin ZBNN30000LBB02448

F20 发动机及配件 ENGINE ANG ATTACHMENT ASSY.



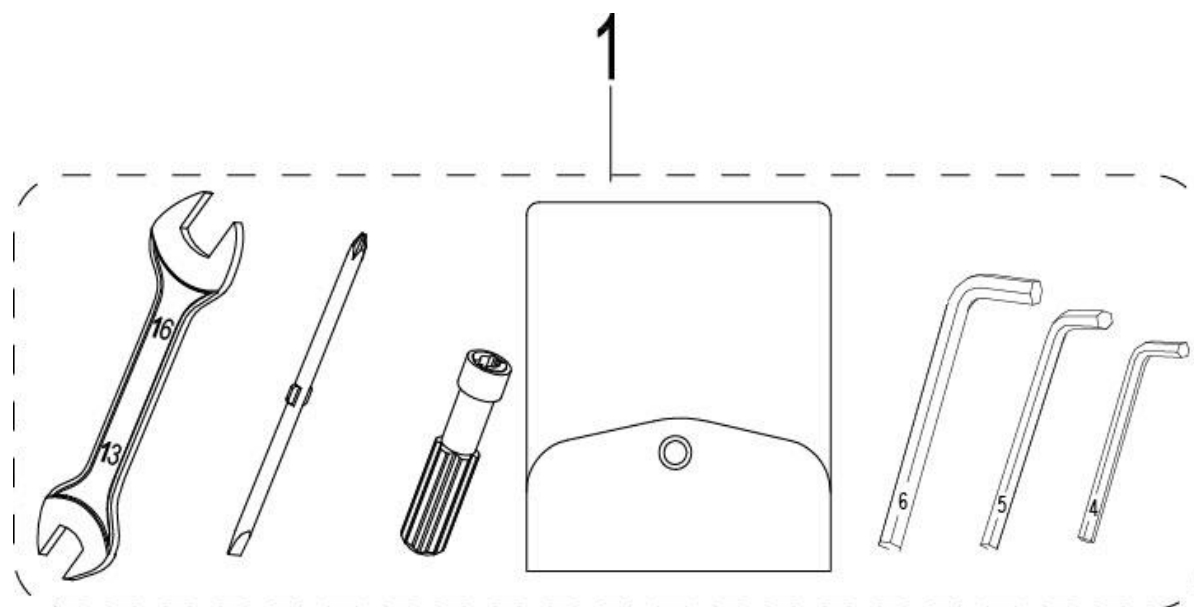
NO.	Position No.	CODE	EN DESCRIPTION	Qty/Unit	Remark
1	F20	C2515024HT00	ENGINE ASSY	1	For Q19-12 Malaysia & Indonesia market
2	F20	169045150070	ENGINE LEFT REAR COVER,GREY	1	
3	F20	B0107060206H	BOLT M6x20	2	
4	F20	50307J140002	PLATE CLAMP φ10	2	
5	F20	110075130010	MAP PIPE	1	
6	F20	280106220000	INTAKE AIR PRESSURE SENSOR	1	
7	F20	289005150020	THROTTLE BODY ASSY	1	
8	F20	08386P100001	SHIFT PEDAL MOUNTING BRAK CET	1	
9	F20	B0109060256H	BOLT M6x25	2	
10	F20	B02810602062	BOLT M6x20	1	
11	F20	08375V020000	SECTION HEAD	1	
12	F20	B0702000060H	WASHER 6	2	
13	F20	B0417060004H	SELF-LOCKING NUT M6	2	
14	F20	B04800600052	NUT M6	1	
15	F20	08371V020000	CONNECTING ROD	1	
16	F20	08051S040010	LEFT NUT M6	1	
17	F20	08376V020000	M6 LEFT SECTION HEAD	1	
18	F20	08370N300000	SHIFT PEDAL ASSY	1	
19	F20	08011L290000	BOLT M8x10	1	
20	F20	280476030010	STEPPER MOTOR	1	
21	F20	280756030001	THROTTLE POSITION SENSOR	1	

F21 冷却系统 COOLING SYSTEM ASSY.



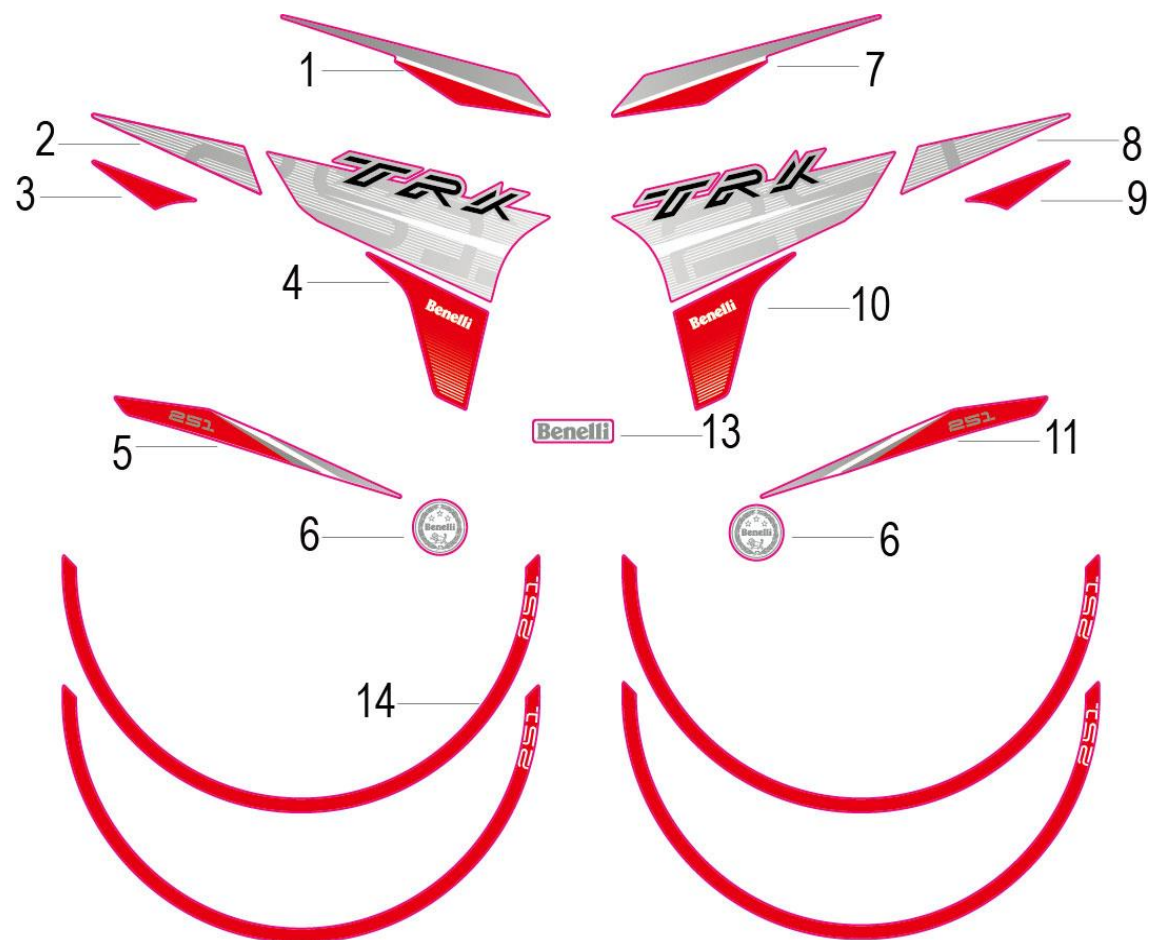
NO.	Position No.	CODE	EN DESCRIPTION	Qty/Unit	Remark
1	F21	279125250010	RADIATOR ASSY	1	
2	F21	B0284060300A	SCREW M6x30	2	
3	F21	59452P250000	SPACER	4	
4	F21	65821S010000	RUBBER BLOCK	4	
5	F21	06104N300000	CLAMP 30-706R	2	
6	F21	06102N300000	INLET HOSE	1	
7	F21	06103N290000	CLAMP φ28	1	
8	F21	06101N300000	OUTLET HOSE	1	
9	F21	279115050000	COOLANT TEMPERATURE SENSOR	1	
10	F21	06103N220000	OVERFLOW PIPE	1	
11	F21	50376S010000	CLIP 10	3	
12	F21	06111N220000	RESERVE TANK	1	
13	F21	B0109060126H	BOLT M6x12	2	
14	F21	06112J690000	COOLANT RESERVE TANK CAP	1	
15	F21	06102T430007	COOLANT RESERVE HOSE	1	
16	F21	B0284060400A	BOLT M6x40	2	
17	F21	06103N290000	CLAMP φ28	1	

F22 随车工具 TOOL KIT ASSY.



NO.	Position No.	CODE	EN DESCRIPTION	Qty/Unit	Remark
1	F22	02100N220001	TOOL KIT ASSY	1	

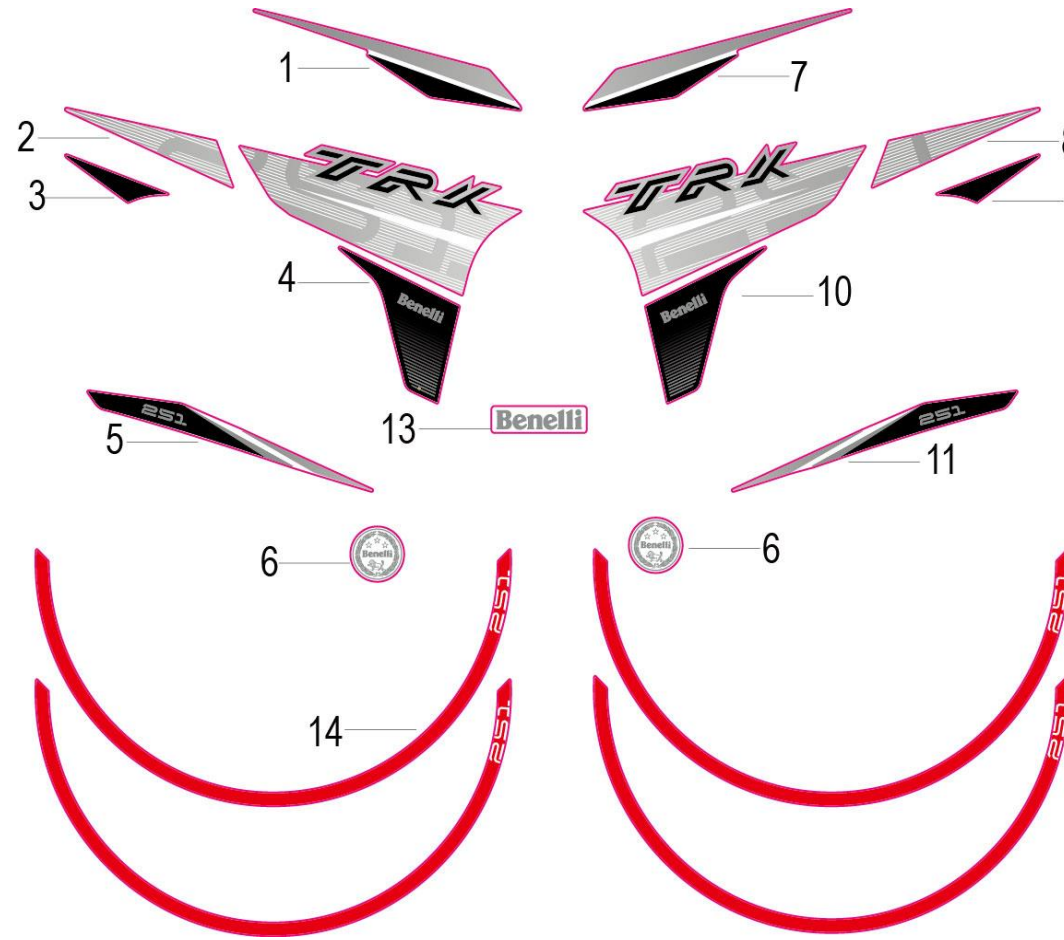
F23 STICKER (for black B1 vehicle)



NO.	Position No.	CODE	EN DESCRIPTION	Qty/Unit	Remark
1	F23	05522N30B100	STICKER,FRONT FACEPLATE RIGHT DECORATIVE BOARD,B1	1	
2	F23	05533N30B100	STICKER I,FUEL TANK RIGHT SIDE COVER,B1	1	
3	F23	05535N30B101	STICKER II,FUEL TANK RIGHT SIDE COVER,B1	1	
4	F23	05524N30B100	STICKER,RIGHT FRONT FACEPLATE,B1	1	
5	F23	05572N30B101	RIGHT STICKER,TAIL COVER,B1	1	
6	F23	05531N30JH00	BENELLI STICKER,B1	2	
7	F23	05521N30B100	STICKER,FACEPLATE LEFT DECORATIVE BOARD,B1	1	
8	F23	05532N30B100	STICKER I,FUEL TANK LEFT SIDE COVER,B1	1	
9	F23	05534N30B100	STICKER II,FUEL TANK LEFT SIDE COVER,B1	1	
10	F23	05523N30B100	STICKER,LEFT FRONT FACEPLATE,B1	1	
11	F23	05571N30B101	LEFT STICKER,TAIL COVER,B1	1	
13	F23	05525N30W900	COWLING STICKER,B1	1	
14	F23	05582N300000	RIM STICKER,B1	4	

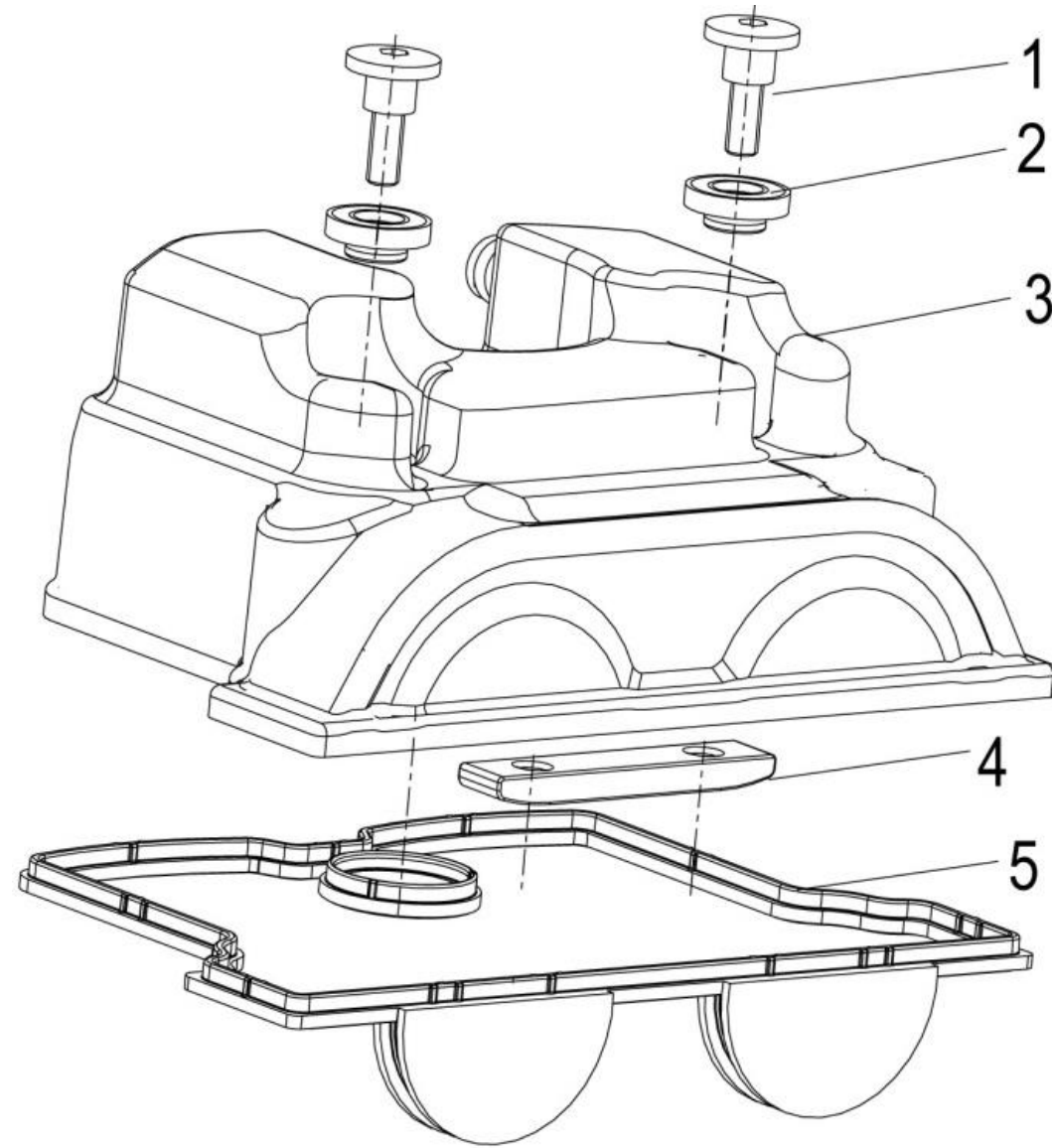


F25 STICKER (for red TL & dark grey JH vehicle)



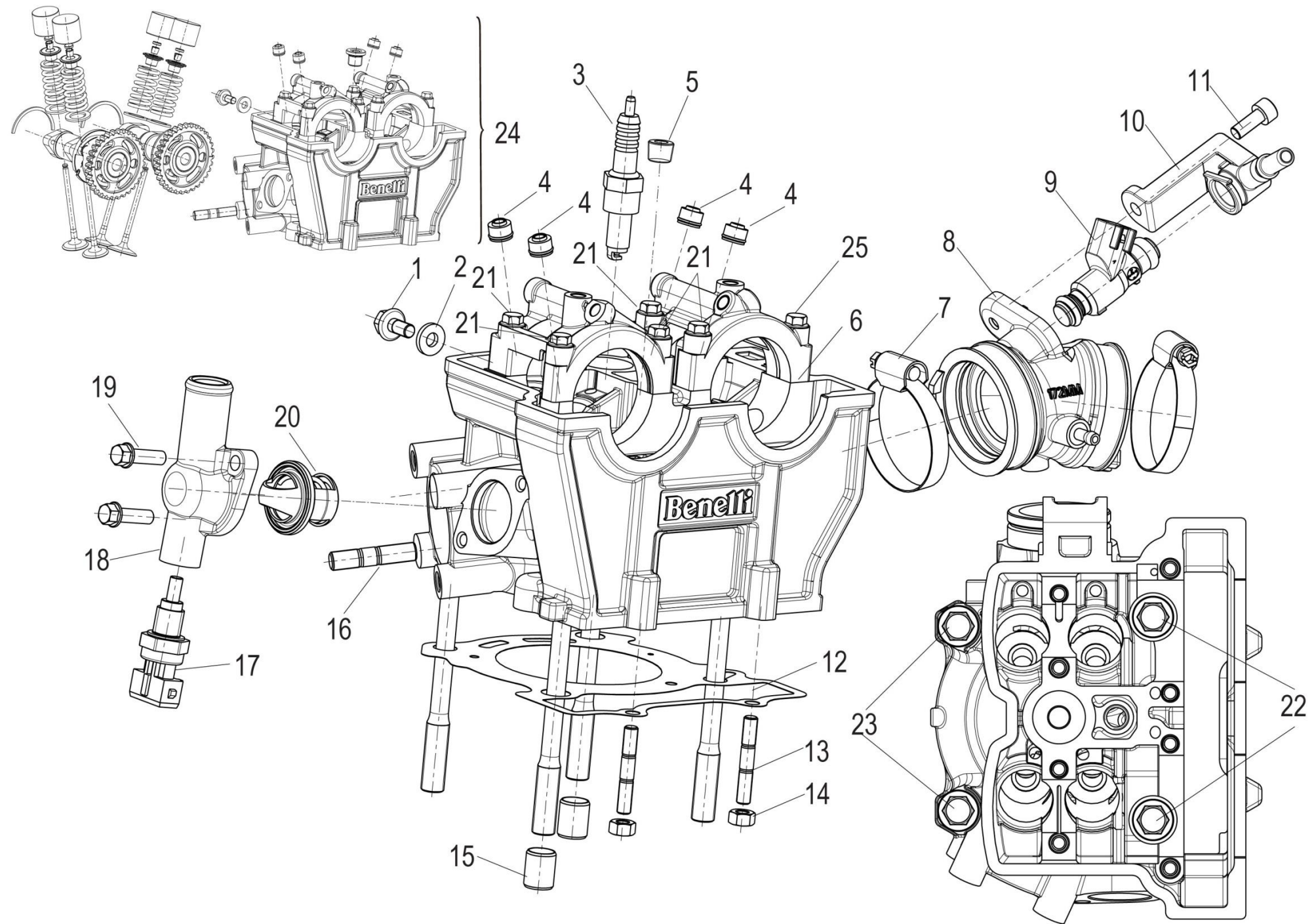
NO.	Position No.	CODE	EN DESCRIPTION	Qty/Unit	Remark
1	F25	05522N30JH00	STICKER,FRONT FACEPLATE RIGHT DECORATIVE BOARD,TL-JH	1	
2	F25	05533N30JH00	STICKER I,FUEL TANK RIGHT SIDE COVER,TL-JH	1	
3	F25	05535N30W900	STICKER II,FUEL TANK RIGHT SIDE COVER,TL-JH	1	
4	F25	05524N30JH00	STICKER,RIGHT FRONT FACEPLATE,TL-JH	1	
5	F25	05572N30JH01	RIGHT STICKER,TAIL COVER,TL-JH	1	
6	F25	05531N30JH00	BENELLI STICKER,TL-JH	2	
7	F25	05521N30JH00	STICKER,FACEPLATE LEFT DECORATIVE BOARD,TL-JH	1	
8	F25	05532N30JH00	STICKER I,FUEL TANK LEFT SIDE COVER,TL-JH	1	
9	F25	05534N30W900	STICKER II,FUEL TANK LEFT SIDE COVER,TL-JH	1	
10	F25	05523N30JH00	STICKER,LEFT FRONT FACEPLATE,TL-JH	1	
11	F25	05571N30JH01	LEFT STICKER,TAIL COVER,TL-JH	1	
13	F25	05525N30W900	COWLING STICKER,TL-JH	1	
14	F25	05582N300000	RIM STICKER,TL-JH	4	

E01 CYLINDER HEAD COVER ASSY (气缸盖罩分总成)



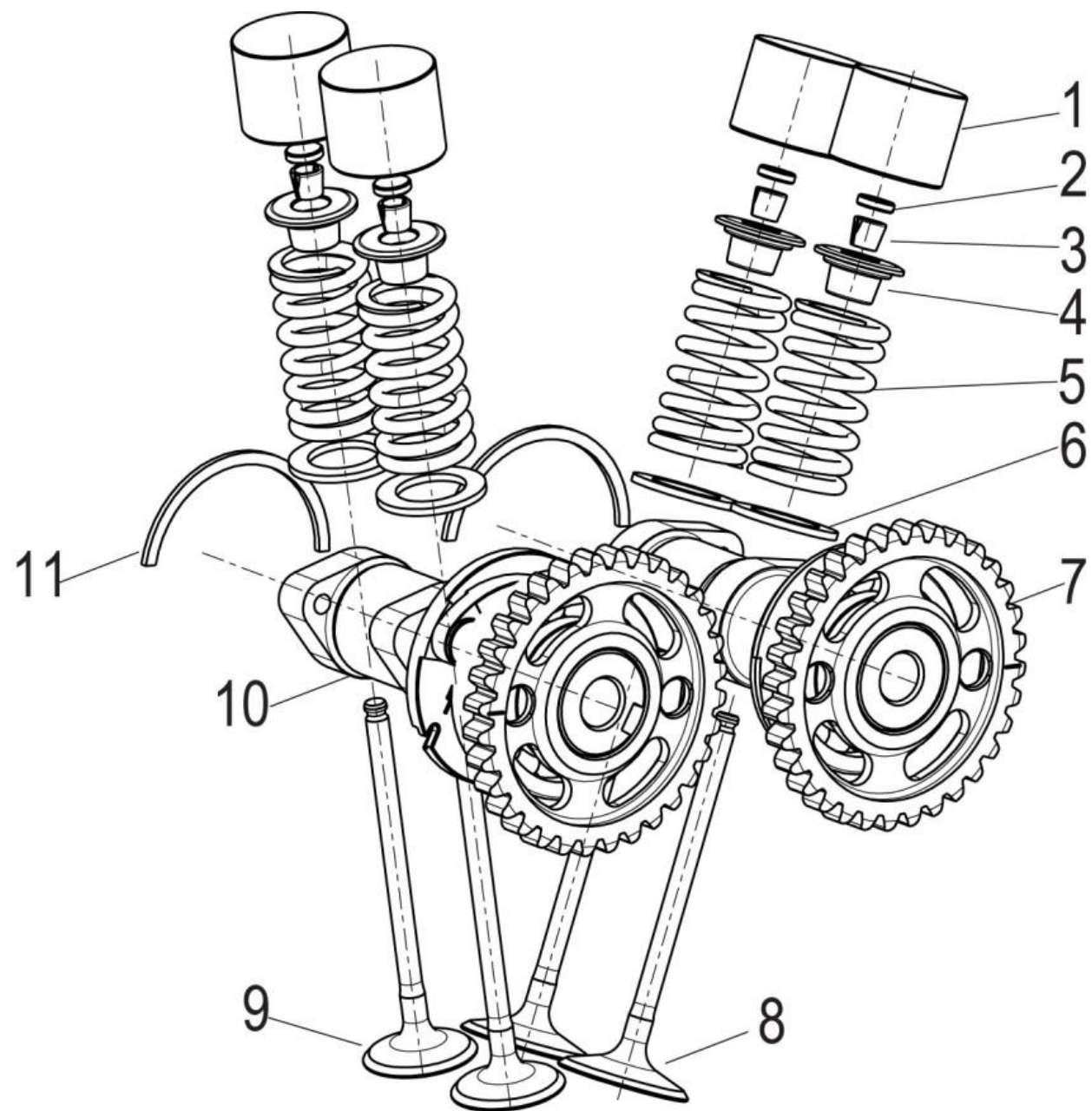
NO.	Position No.	CODE	EN DESCRIPTION	Qty/Unit	Remark
1	E01	110026030010	DOWEL SCREW	2	
2	E01	100066030000	SEAL WASHER ASSY.	2	
3	E01	100405150050	CYLINDER HEAD COVER	1	
4	E01	100045150000	CAMSHAFT CHAIN GUIDE(UPPER)	1	
5	E01	100055150010	CYLINDER HEAD COVER GASKET	1	

E02 CYLINDER HEAD ASSY (气缸盖分总成)



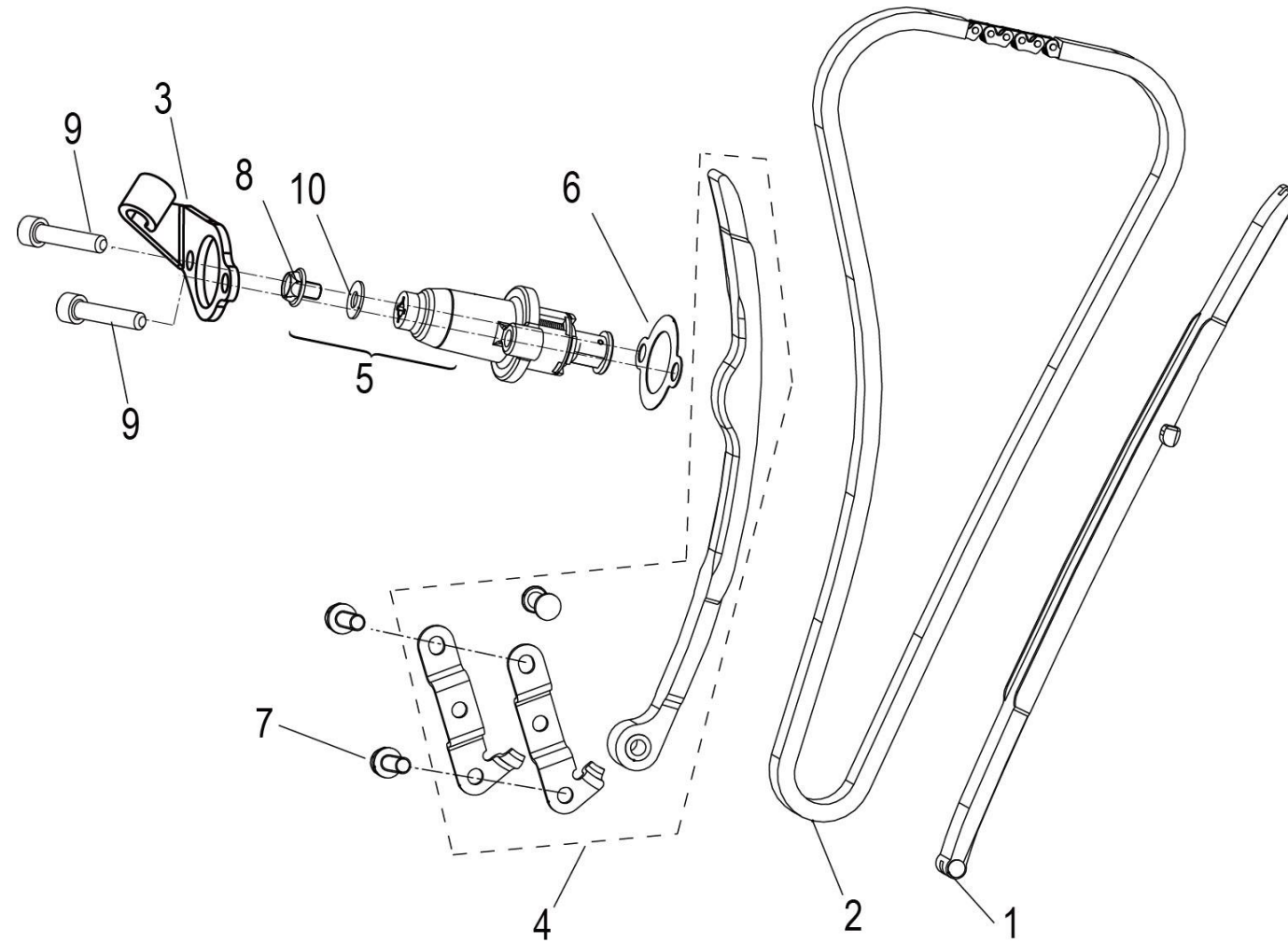
NO.	Position No.	CODE	EN DESCRIPTION	Qty/Unit	Remark
1	E02	B01070601263	BOLT M6X12	1	
2	E02	100071270000	WASHER 6.2X14X2.2	1	
3	E02	AC-005-1201-0009	SPARK PLUG	1	
4	E02	120015090000	VALVE STEM SEAL	4	
5	E02	150166090010	CONE PLUG M10x1	1	
6	E02	109055150050	CYLINDER HEAD ASSY	1	
7	E02	100355150000	CLAMP ASSY	2	
8	E02	119015150020	INLET AIR DUCT	1	
9	E02	289035110010	FUEL INJECTOR	1	
10	E02	280045140010	INJECTION HOUSING	1	
11	E02	B0205060156H	HEXAGON SOCKET HEAD CAP SCREWS	1	
12	E02	100205150011	CYLINDER HEAD GASKET	1	
13	E02	B0300060256H	DOUBLE END STUDS	2	
14	E02	B0400060005H	HEXAGON NUTS	2	
15	E02	100255150000	DOWEL PIN	2	
16	E02	B0300080206H	DOUBLE END STUDS	1	
17	E02	270013160002	COOLANT TEMPERATURE SENSOR	1	
18	E02	100265150020	THERMOSTAT COVER	1	
19	E02	B0107060206H	HEXAGON BOLTS WITH FLANGE	2	
20	E02	279165050000	THERMOSTAT ASSY	1	
21	E02	B0107060406H	BOLT M6X40	8	
22	E02	100155150000	CYLINDER HEAD BOLT ASSY I	2	
23	E02	100185150000	CYLINDER HEAD BOLT ASSY II	2	
24	E02	109055150070	CYLINDER HEAD COVER COMP.	1	

E03 VALVE MECHANISM SUB-ASSY (配气机构分总成)



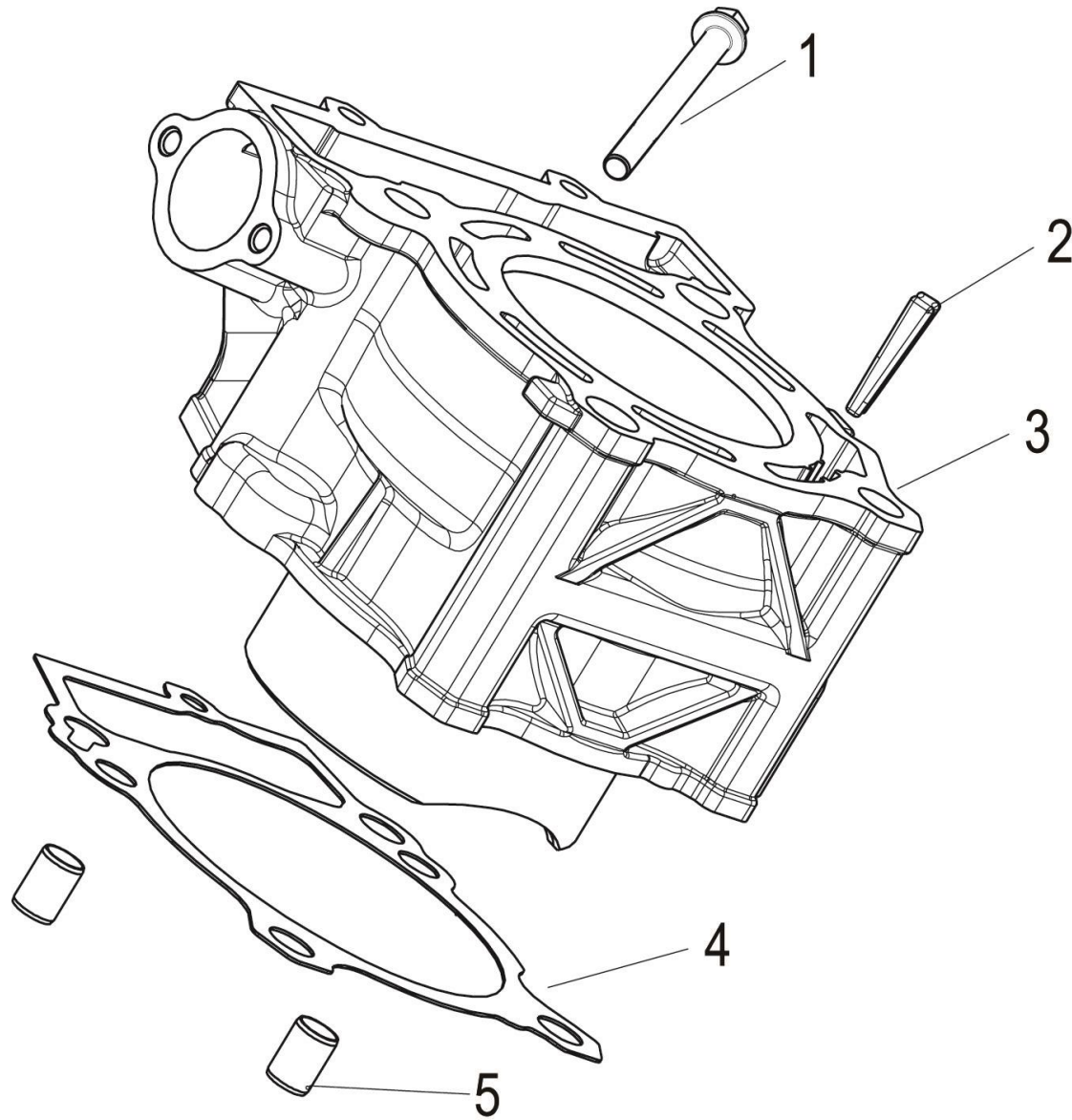
NO.	Position No.	CODE	EN DESCRIPTION	Qty/Unit	Remark
1	E03	120015150000	VALVE LIFTER	4	
2	E03	120096030000	VALVE ADJUSTING WASHE,δ1.600mm	4	
2	E03	120096030020	VALVE ADJUSTING WASHE,δ1.625mm	4	
2	E03	120096030021	VALVE ADJUSTING WASHE,δ1.650mm	4	
2	E03	120096030022	VALVE ADJUSTING WASHE,δ1.675mm	4	
2	E03	120096030023	VALVE ADJUSTING WASHE,δ1.700mm	4	
2	E03	120096030024	VALVE ADJUSTING WASHE,δ1.725mm	4	
2	E03	120096030025	VALVE ADJUSTING WASHE,δ1.750mm	4	
2	E03	120096030026	VALVE ADJUSTING WASHE,δ1.775mm	4	
2	E03	120096030027	VALVE ADJUSTING WASHE,δ1.800mm	4	
2	E03	120096030028	VALVE ADJUSTING WASHE,δ1.825mm	4	
2	E03	120096030029	VALVE ADJUSTING WASHE,δ1.850mm	4	
2	E03	120096030030	VALVE ADJUSTING WASHE,δ1.875mm	4	
2	E03	120096030031	VALVE ADJUSTING WASHE,δ1.900mm	4	
2	E03	120096030032	VALVE ADJUSTING WASHE,δ1.925mm	4	
2	E03	120096030033	VALVE ADJUSTING WASHE,δ1.950mm	4	
2	E03	120096030034	VALVE ADJUSTING WASHE,δ1.975mm	4	
2	E03	120096030035	VALVE ADJUSTING WASHE,δ2.000mm	4	
2	E03	120096030036	VALVE ADJUSTING WASHE,δ2.025mm	4	
2	E03	120096030037	VALVE ADJUSTING WASHE,δ2.050mm	4	
2	E03	120096030038	VALVE ADJUSTING WASHE,δ2.075mm	4	
2	E03	120096030039	VALVE ADJUSTING WASHE,δ2.100mm	4	
2	E03	120096030040	VALVE ADJUSTING WASHE,δ2.125mm	4	
2	E03	120096030041	VALVE ADJUSTING WASHE,δ2.150mm	4	
2	E03	120096030042	VALVE ADJUSTING WASHE,δ2.175mm	4	
2	E03	120096030043	VALVE ADJUSTING WASHE,δ2.200mm	4	
2	E03	120096030044	VALVE ADJUSTING WASHE,δ2.225mm	4	
2	E03	120096030045	VALVE ADJUSTING WASHE,δ2.250mm	4	
2	E03	120096030046	VALVE ADJUSTING WASHE,δ2.275mm	4	
3	E03	129225150000	SPLIT KEEPERS /VALVE COTTER	8	
4	E03	129335150000	VALVE UPPER SPRING SEAT	4	
5	E03	129255150000	VALVE SPRING	4	
6	E03	129215150000	VALVE LOWER SPRING SEAT	4	
7	E03	129095150000	INTAKE CAMSHAFT ESSY	1	
8	E03	129185150000	INTAKE VALVE	2	
9	E03	129195150000	EXHAUST VALVE	2	
10	E03	129105150000	EXHAUST CAMSHAFT ESSY	1	
11	E03	120025150000	STOP RING	2	

E04 STRAINER UNIT ASSY (正时传动机构分总成)



NO.	Position No.	CODE	EN DESCRIPTION	Qty/Unit	Remark
1	E04	149025150000	FRONT CHAIN GUIDE	1	
2	E04	129025150000	CAMSHAFT CHAIN	1	
3	E04	200305150030	PULL PLATE	1	
4	E04	140015150000	REAR CHAIN GUIDE ASSY.	1	
5	E04	149035150000	CAMSHAFT CHAIN TENSIONER	1	
6	E04	140176030000	TENSIONER GASKET	1	
7	E04	B0109060146H	BOLT M6X14	2	
8	E04	140106030000	TENSIONER BOLT	1	
9	E04	B0205060306H	SCREW M6x30	2	
10	E04	140116030000	RUBBER PLUG	1	

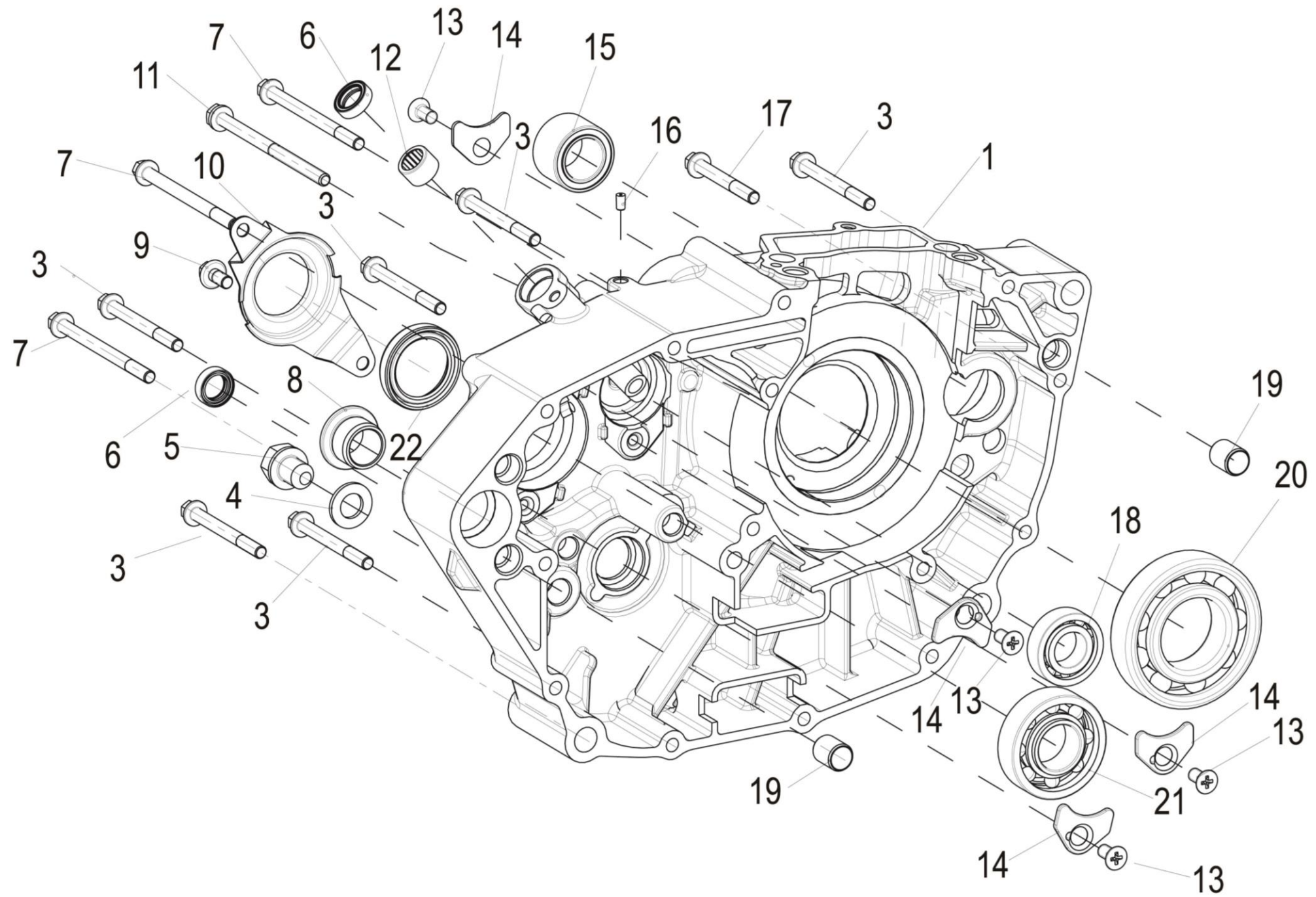
E05 CYLINDER BLOCK ASSEMBLY (气缸体总成)



NO.	Position No.	CODE	EN DESCRIPTION	Qty/Unit	Remark
1	E05	B0107060356H	BOLT M6X35	1	
2	E05	130015150000	RUBBER PLUG	1	
3	E05	139015150060	CYLINDER ASSEMBLY	1	
4	E05	139025150060	CYLINDER GASKET	1	
5	E05	150083070000	DOWEL PIN	1	

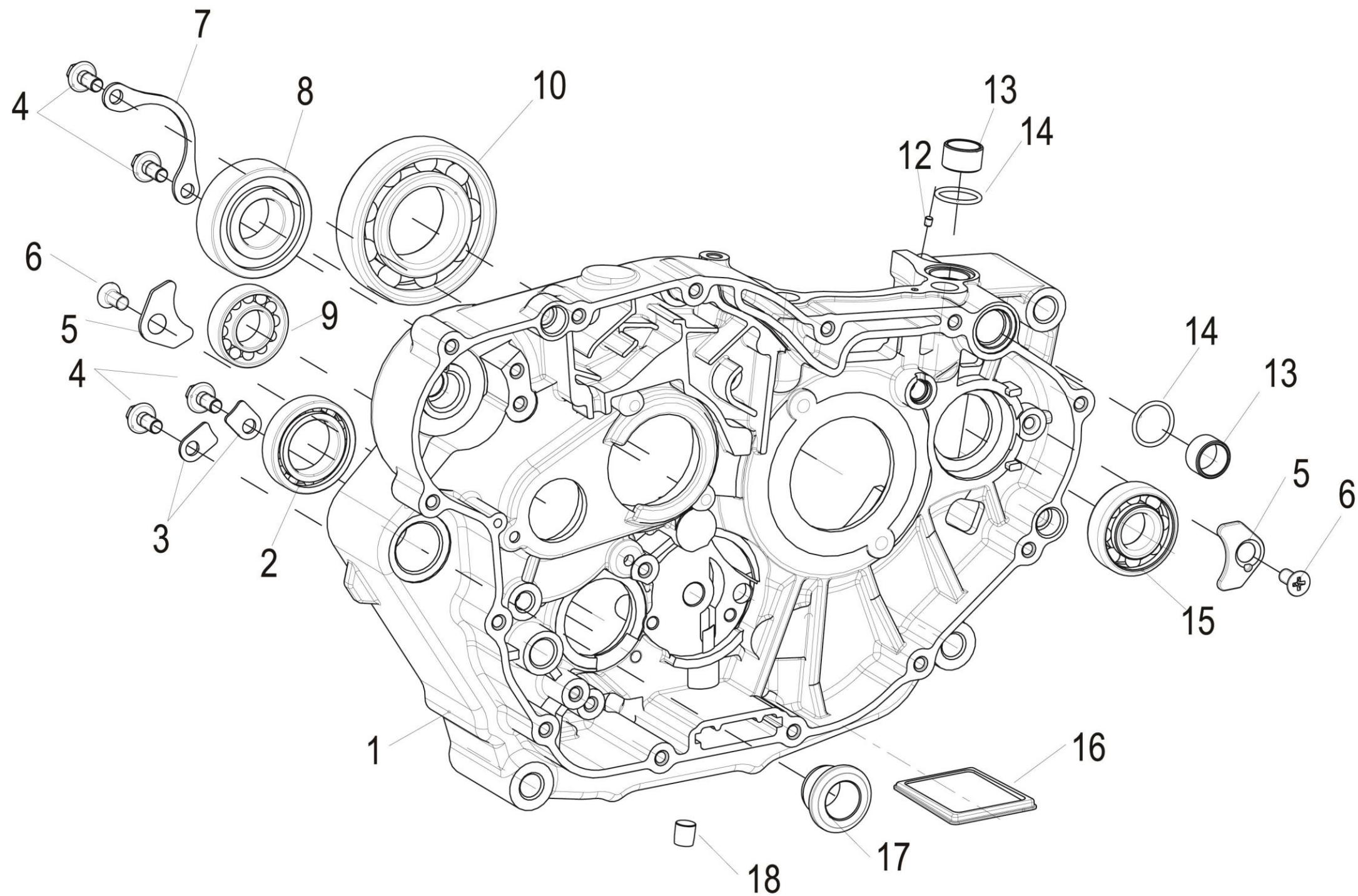


E06 LEFT CRANKCASE SUB-ASSY (左曲轴箱分总成)



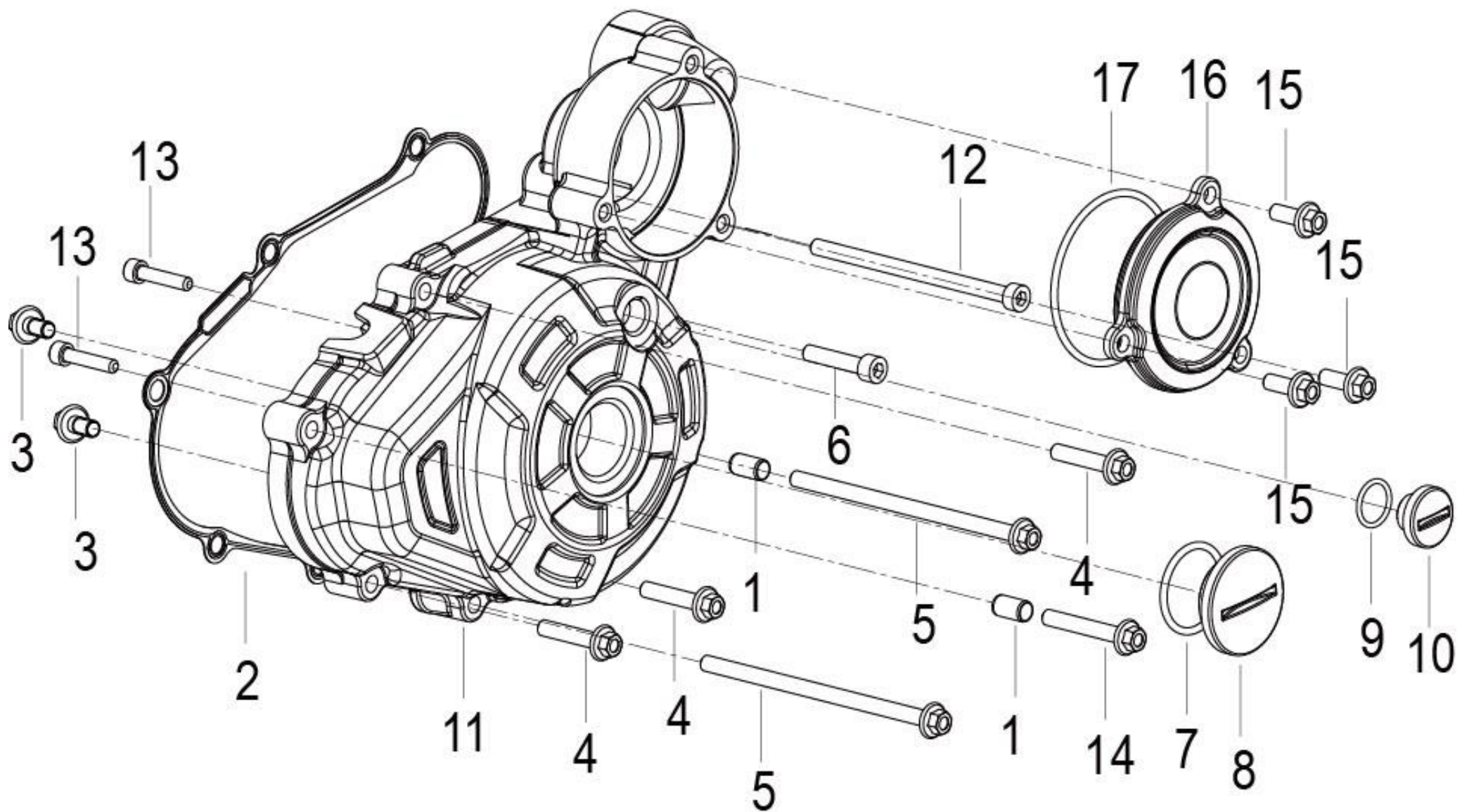
NO.	Position No.	CODE	EN DESCRIPTION	Qty/Unit	Remark
1	E06	159045150040	LEFT CRANKCASE ASSEMBLY	1	
3	E06	B0107060606H	BOLT M6X60	6	
4	E06	200014130000	COPPER WASHER	1	
5	E06	15006305002X	ENGINE OIL DRAIN BOLT	1	
6	E06	200001050000	OIL SEAL	2	
7	E06	B0107060806H	BOLT M6x80	3	
8	E06	150045150000	BUSH	1	
9	E06	B01070601263	BOLT M6X12	1	
10	E06	150055150000	SPROCKET COVER	1	
11	E06	B0107060956H	BOLT M6X95	1	
12	E06	B1212K121002	NEEDLE BEARING 12x16x10	1	
13	E06	B0201060126H	SCREW M6X12	4	
14	E06	150035150000	BEARING RETAINER II	4	
15	E06	B1210H202001	NEEDLE BEARING 20X32X20	1	
16	E06	150124230000	PLUG	1	
17	E06	B0107060506H	BOLT M6x50	1	
18	E06	B12016000305	BALL BEARING 6003-RS/P0	1	
19	E06	100255150000	DOWEL PIN	2	
20	E06	150304230030	BALL BEARING	1	
21	E06	B12016622206	BALL BEARING 62/22-RS/C3	1	
22	E06	150235150000	OIL SEAL	1	

E07 RIGHT CRANKCASE SUB-ASSY (右曲轴箱分总成)



NO.	Position No.	CODE	EN DESCRIPTION	Qty/Unit	Remark
1	E07	159035150020	RIGHT CRANKCASE ASSY.	1	
2	E07	B12016190503	BEARING 61905/C3	1	
3	E07	150135150000	BEARING RETAINER IV	2	
4	E07	B01070601263	BOLT M6X12	4	
5	E07	150035150000	BEARING RETAINER II	2	
6	E07	B0201060126H	SCREW M6X12	2	
7	E07	150125150000	BEARING RETAINER III	1	
8	E07	B12016622202	BEARING 62/22D2/P63	1	
9	E07	B12016000303	BALL BEARING 6003/P6	1	
10	E07	150304230030	BALL BEARING	1	
12	E07	150103300000	PLUG	1	
13	E07	150155150000	OIL PASSAGE BUSH	2	
14	E07	B190101700A0	O-RING	2	
15	E07	B12016020315	BALL BEARING	1	
16	E07	150175150000	OIL STRAINER ASSY	1	
17	E07	150045150000	BUSH	1	
18	E07	100066090000	CONE PLUG M14x1.5x10	1	

E08 LEFT COVER ASSY (左盖分总成)



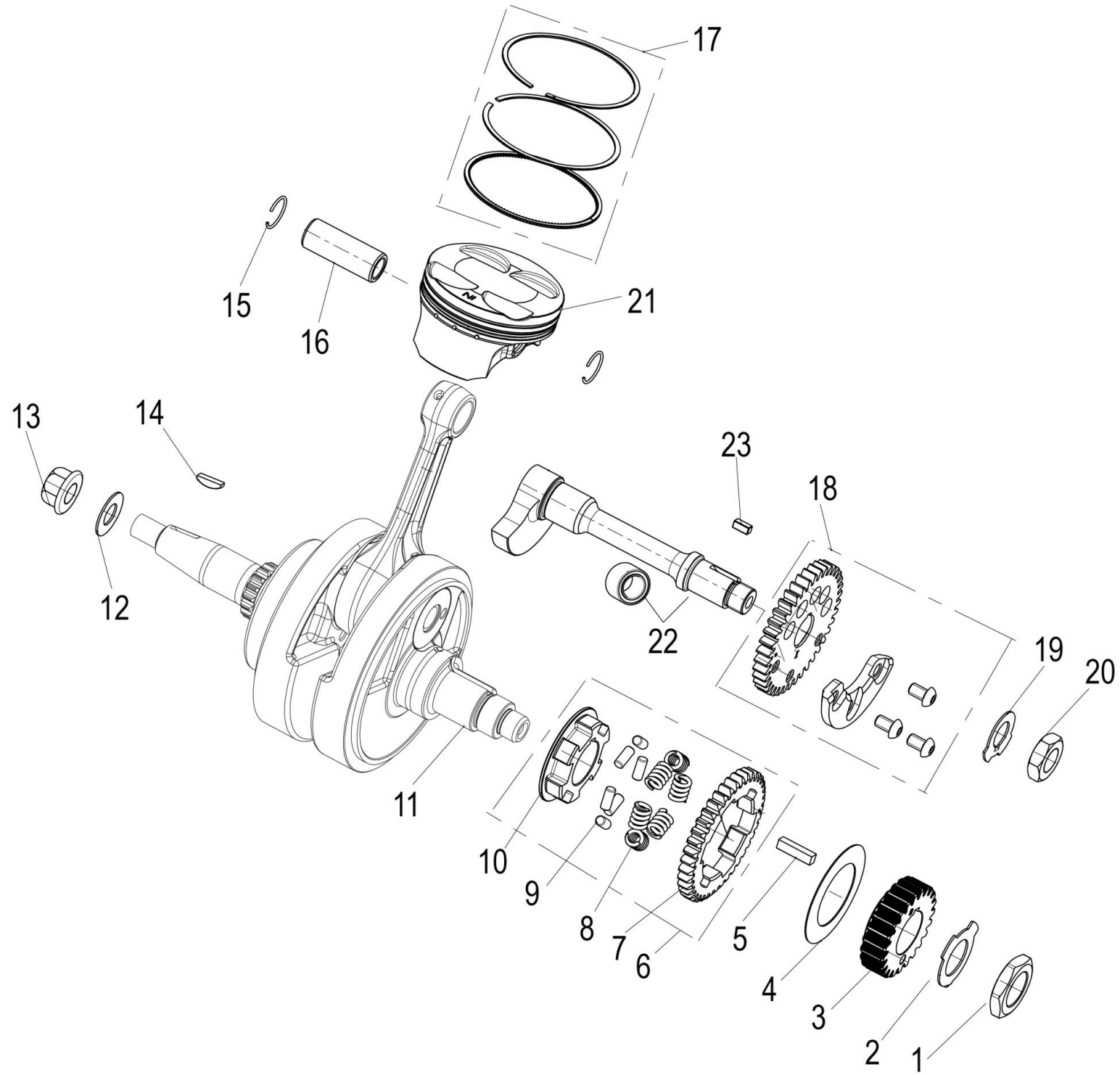
NO.	Position No.	CODE	EN DESCRIPTION	Qty/Unit	Remark
1	E08	160073070000	DOWEL PIN	2	
2	E08	169075150020	LEFT COVER GASKET	1	
3	E08	B0107050126H	BOLT M5X12	2	
4	E08	B0107060356H	BOLT M6X35	3	
5	E08	B0107061156H	BOLT M6X115	2	
6	E08	B0205060306H	SCREW M6X30	1	
7	E08	B190103000B0	O-RING	1	
8	E08	169085150010	CRANKSHAFT END ACCESSING SCREW	1	
9	E08	B190101500A0	O-RING	1	
10	E08	169165150010	TIMING MARK ACCESSING SCREW	1	
11	E08	169025250010	LEFT COVER	1	
12	E08	B0205061006H	SCREW M6X100	1	
13	E08	B0205050256H	SCREW M5x25	2	
14	E08	B0107060406H	BOLT M6X40	1	
15	E08	B0107060166H	BOLT M6X16	3	
16	E08	169065150020	ELECTRIC START GEAR CHAMBER COVER	1	
17	E08	B190106200B0	O-RING	1	



NO.	Position No.	CODE	EN DESCRIPTION	Qty/Unit	Remark
1	E09	169115150020	RIGHT CRANKCASE GASKET	1	
2	E09	160135150000	OIL-LIMITER PLATE	1	
3	E09	160015040000	OIL SEAL	1	
4	E09	B08000002500	CIRCLIPS FOR HOLE	1	
5	E09	B12016000100	BEARING 6001	2	
6	E09	270153160000	OIL SEAL 12x24x5	1	
7	E09	160083090000	OIL LEVEL INDICATOR	1	
8	E09	150166090000	CONE PLUG M10x1	3	
9	E09	150042080000	PIN	2	
10	E09	169105250020	RIGHT COVER	1	
11	E09	B0107060326H	BOLT M6X32	13	
12	E09	150056090100	CONE PLUG M6	1	
13	E09	160063070000	O-RING	1	
14	E09	160063090070	OIL FILLER PLUG	1	
15	E09	279085250000	INLET PIPE	1	
16	E09	B190100710A0	O-RING	2	
17	E09	160125150010	OIL FILTER	1	
18	E09	160095150000	O-RING	1	
19	E09	260135150030	OIL FILTER COVER	1	
20	E09	B0107060206H	HEXAGON BOLTS WITH FLANGE	3	

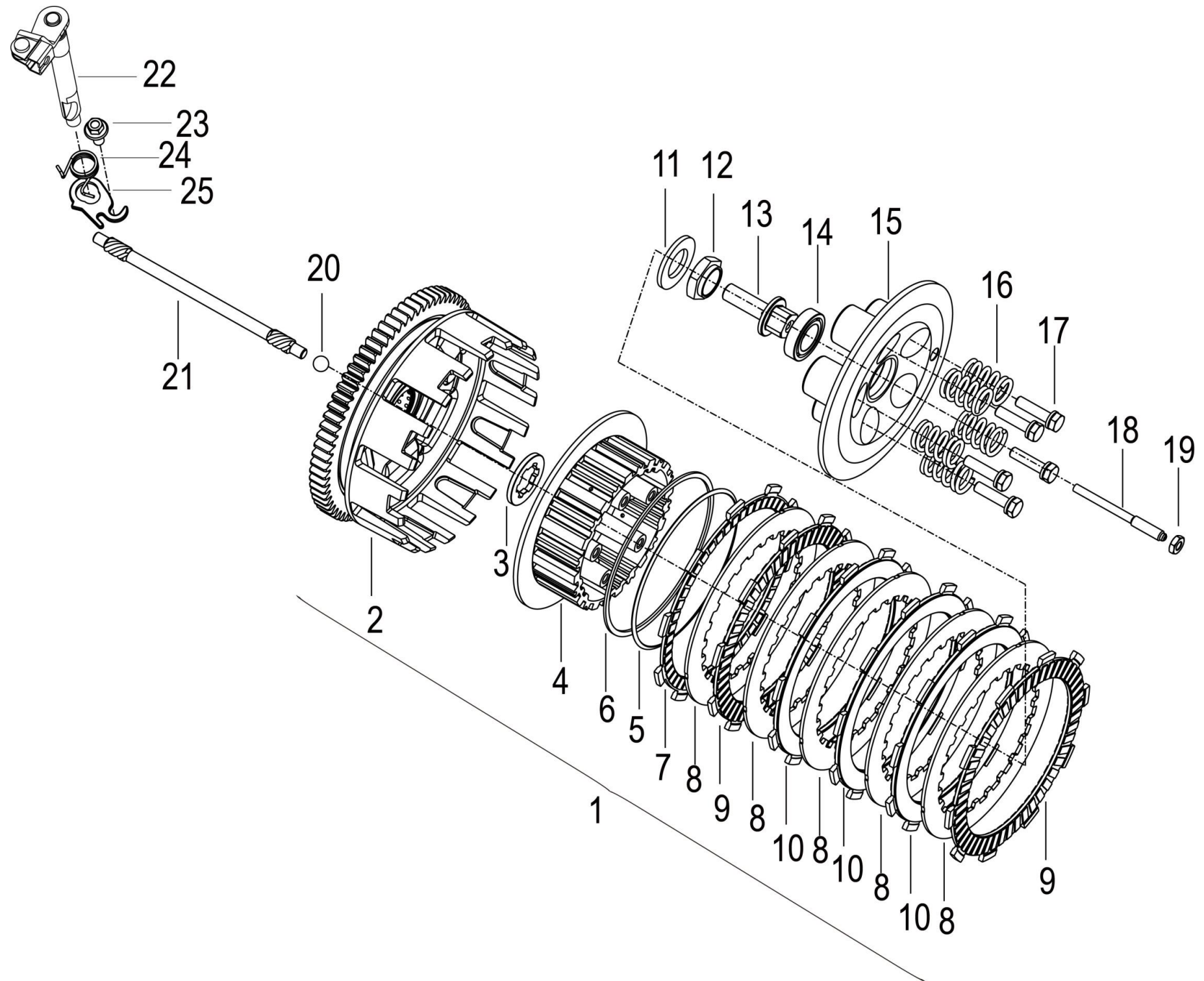


E10 CRANK AND CONNECTING ROD PISTON SUB-ASSEMBLY (曲柄连杆活塞分总成)



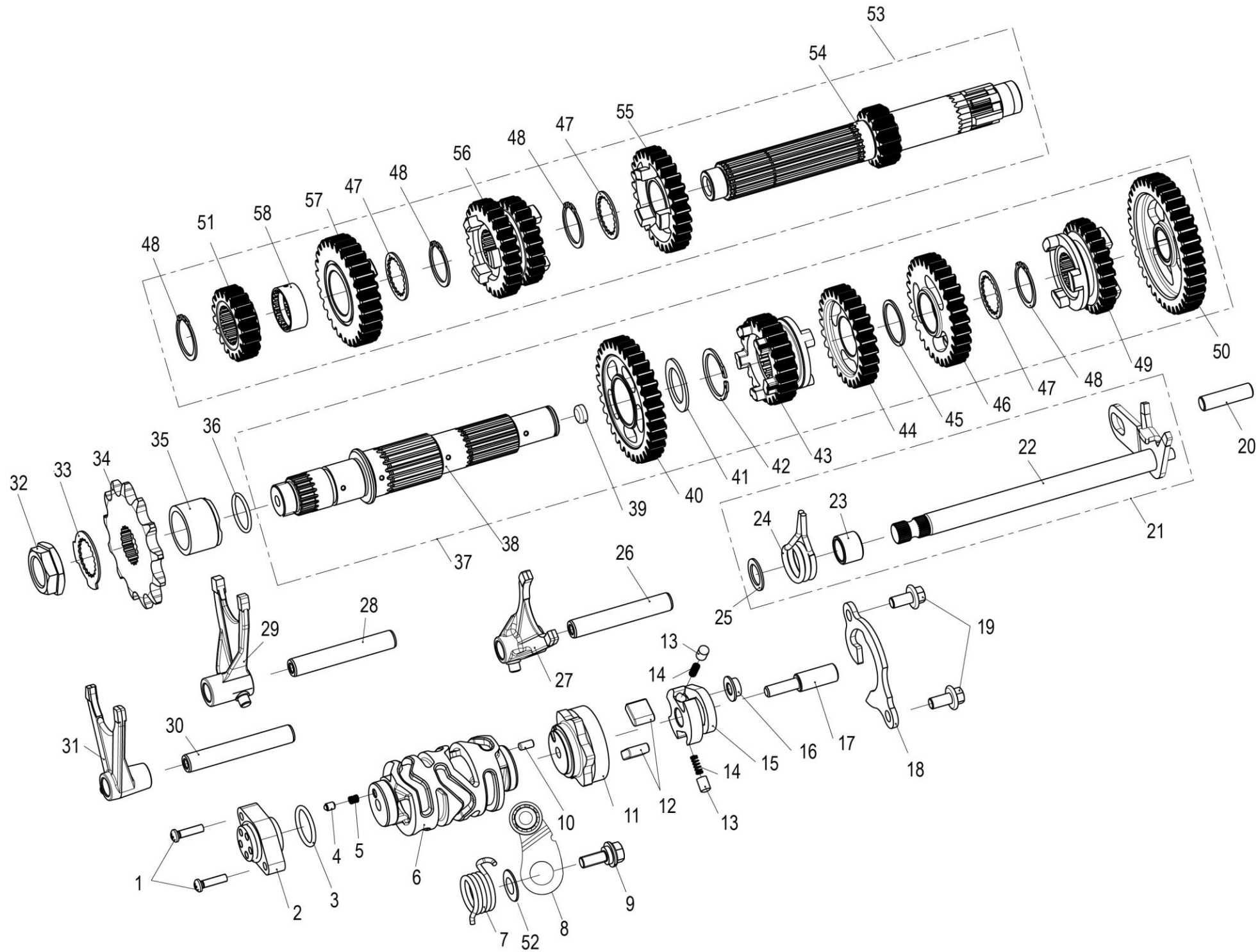
NO.	Position No.	CODE	EN DESCRIPTION	Qty/Unit	Remark
1	E10	170275150010	HEXAGON NUTS M20x1.5	1	
2	E10	170225150000	TAB WASHER	1	
3	E10	170035150000	CLUTCH DRIVE GEAR	1	
4	E10	170355150000	DISC SPRING	1	
5	E10	B11130505020	STRAIGHT KEY	1	
6	E10	170235150020	BALANCER GEAR ASSY	1	
7	E10	170025150020	BALANCER DRIVE GEAR	1	
8	E10	170195150010	DAMPING SPRING	6	
9	E10	170205150010	DAMPING BLOCK	6	
10	E10	170185150030	BALANCER COLLAR	1	
11	E10	179015150050	CRANKSHAFT ASSY	1	
12	E10	B0703000120H	PLAIN WASHER	1	
13	E10	27002305011X	NUT M12x1.25	1	
14	E10	260093070000	KEY	1	
15	E10	179155050000	PISTON PIN CLIP	2	
16	E10	179145150010	PISTON PIN	1	
17	E10	170245150000	PISTON RING ASSEMBLY	1	
18	E10	170345150000	BALANCER DRIVEN GEAR ASSY	1	
19	E10	170055150000	TAB WASHER	1	
20	E10	170065150110	HEXAGON THIN NUTS M14x1	1	
21	E10	179135150020	PISTON	1	
22	E10	170365150000	BALANCER SHAFT & NEEDLE BEARING	1	
23	E10	B11130404009	STRAIGHT KEY	1	

E11 CLUTCH ASSEMBLY (离合器分总成)



NO.	Position No.	CODE	EN DESCRIPTION	Qty/Unit	Remark
1	E11	209255150000	CLUTCH COMPONENTS	1	
2	E11	209245150000	CLUTCH HOUSING ASSEMBLY	1	
3	E11	200025040000	SPLINED WASHER	1	
4	E11	209205150000	CLUTCH HUB	1	
5	E11	200236030001	WASHER	2	
6	E11	200226030001	CLUTCH DAMPER SPRING	1	
7	E11	200375150000	FRICITION PLATE I	1	
8	E11	200145150010	CLUTCH PLATE	5	
9	E11	200385150000	FRICITION PLATE II	2	
10	E11	200135150010	FRICITION PLATE	3	
11	E11	200175150000	TAB WASHER	1	
12	E11	200315150000	NUT	1	
13	E11	200355150000	BEARING SEAT	1	
14	E11	B12016190303	BALL BEARING	1	
15	E11	200155150000	PRESSURE PLATE	1	
16	E11	200165150010	CLUTCH SPRING	5	
17	E11	B1331060250N	BOLTS ASSEMBLY	5	
18	E11	200365150000	SLOTTED ADJUSTING SCREW	1	
19	E11	B0402060000H	NUT	1	
20	E11	B06010290000	STEEL BALL	1	
21	E11	200405150000	PUSH ROD ASSEMBLY	1	
22	E11	200195150010	CONTROL LEVER ASSEMBLY	1	
23	E11	B01070601263	BOLT M6X12	1	
24	E11	200225150010	RETURN SPRING	1	
25	E11	200235150000	CLUTCH RETURN BAFFLE	1	

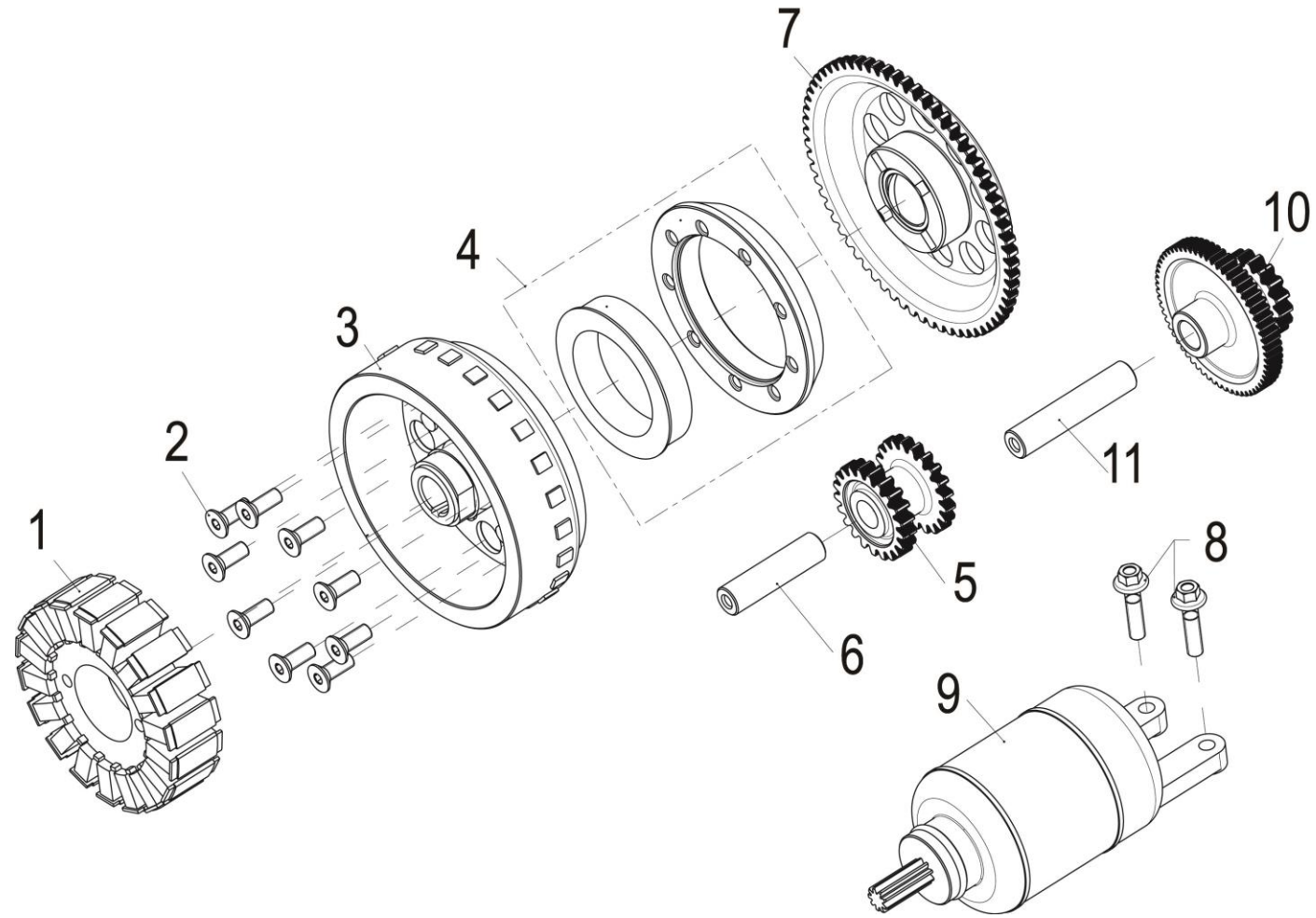
E12 SPEED CONTROL SYSTEM SUB-ASSY (变速系统分总成)



NO.	Position No.	CODE	EN DESCRIPTION	Qty/Unit	Remark
1	E12	B1305040160H	SCREW M4x16	2	
2	E12	219075150000	GEAR POSITION SENSOR	1	
3	E12	210043070000	O-RING	1	
4	E12	210343070000	SHIFT PROD	1	
5	E12	210383070000	PROD SPRING	1	
6	E12	219055150000	SHIFT DRUM	1	
7	E12	210415150000	SHIFT SHAFT RETURN SPRING	1	
8	E12	210375150010	SHIFT POSITIONING ROLLER ARM ASSEMBLY	1	
9	E12	210395150000	SHIFT POSITIONING ROLLER ARM AXLE	1	
10	E12	B091404009A1	PIN 4x9	1	
11	E12	210216060000	GEAR SELECTOR DRUM	1	
12	E12	210316090000	SEPARATION PIECE	2	
13	E12	210326090000	SEPARAYION PIECE PIN	2	
14	E12	210475150000	RATCHET SPRING	2	
15	E12	210265150000	BLOCL SEPARATION	1	
16	E12	210275150000	SEPERATE BASE ROLLAR	1	
17	E12	210296090000	GEAR SELECTOR DRUM FIXED PIN	1	
18	E12	210305150000	STAR WHEEL PRESS PLATE	1	
19	E12	B0107060146H	BOLT M6X14	2	
20	E12	150092080000	DOWEL PIN	1	
21	E12	210525150000	SHIFT LEVER ASSEMBLY	1	
22	E12	210535150000	SHIFT LEVER WELD ASSEMBLY	1	
23	E12	210325150000	BUSH	1	
24	E12	210335150000	RETURN SPRING	1	
25	E12	260025150000	WASHER 12X18X1	1	
26	E12	210185150010	5-SPEED SHIFT FORK SHAFT	1	
27	E12	210175150000	5-SPEED SHIFT FORK	1	
28	E12	210155150010	MAIN AXLE SHIFT FORK SHAFT	1	
29	E12	210145150000	MAIN AXLE SHIFT FORK	1	
30	E12	210215150010	6-SPEED SHIFT FORK SHAFT	1	
31	E12	210205150010	6-SPEED SHIFT FORK	1	
32	E12	210455150100	NUT M18x1	1	
33	E12	210445150010	SPLINE WASHER	1	
34	E12	210435150050	DRIVE SPROCKET	1	
35	E12	210425150000	DRIVE SPROCKET COLLAR	1	
36	E12	B190101900A0	O-RING 19x1.8	1	
37	E12	219215150010	COUNTERSHAFT ASSY	1	
38	E12	219225150010	COUNTERSHAFT	1	
39	E12	210115150000	PLUG	1	

NO.	Position No.	CODE	EN DESCRIPTION	Qty/Unit	Remark
40	E12	219245150000	COUNTERSHAFT GEAR 2	1	
41	E12	210055150010	WASHER	1	
42	E12	210065150000	CIRCILP FOR SHAFT	1	
43	E12	219285150010	COUNTERSHAFT GEAR 6	1	
44	E12	219265150000	COUNTERSHAFT GEAR 4	1	
45	E12	210125150000	WASHER	1	
46	E12	219255150000	COUNTERSHAFT GEAR 3	1	
47	E12	210035150000	SPLINE WASHER	3	
48	E12	210045150000	CIRCILP FOR SHAFT	4	
49	E12	219275150000	COUNTERSHAFT GEAR 5	1	
50	E12	210095150000	COUNTERSHAFT GEAR 1 ASSY	1	
51	E12	219165150000	PRINCIPALSHAFT GEAR 2	1	
52	E12	219494320000	WASHER	1	
53	E12	219315150000	PRINCIPALSHAFT ASSY	1	
54	E12	219305150000	PRINCIPALSHAFT	1	
55	E12	219195150000	PRINCIPALSHAFT GEAR 5	1	
56	E12	210025150000	PRINCIPALSHAFT GEAR 3-4	1	
57	E12	219205150000	PRINCIPALSHAFT GEAR 6	1	
58	E12	210015150000	SPLINE COLLAR	1	

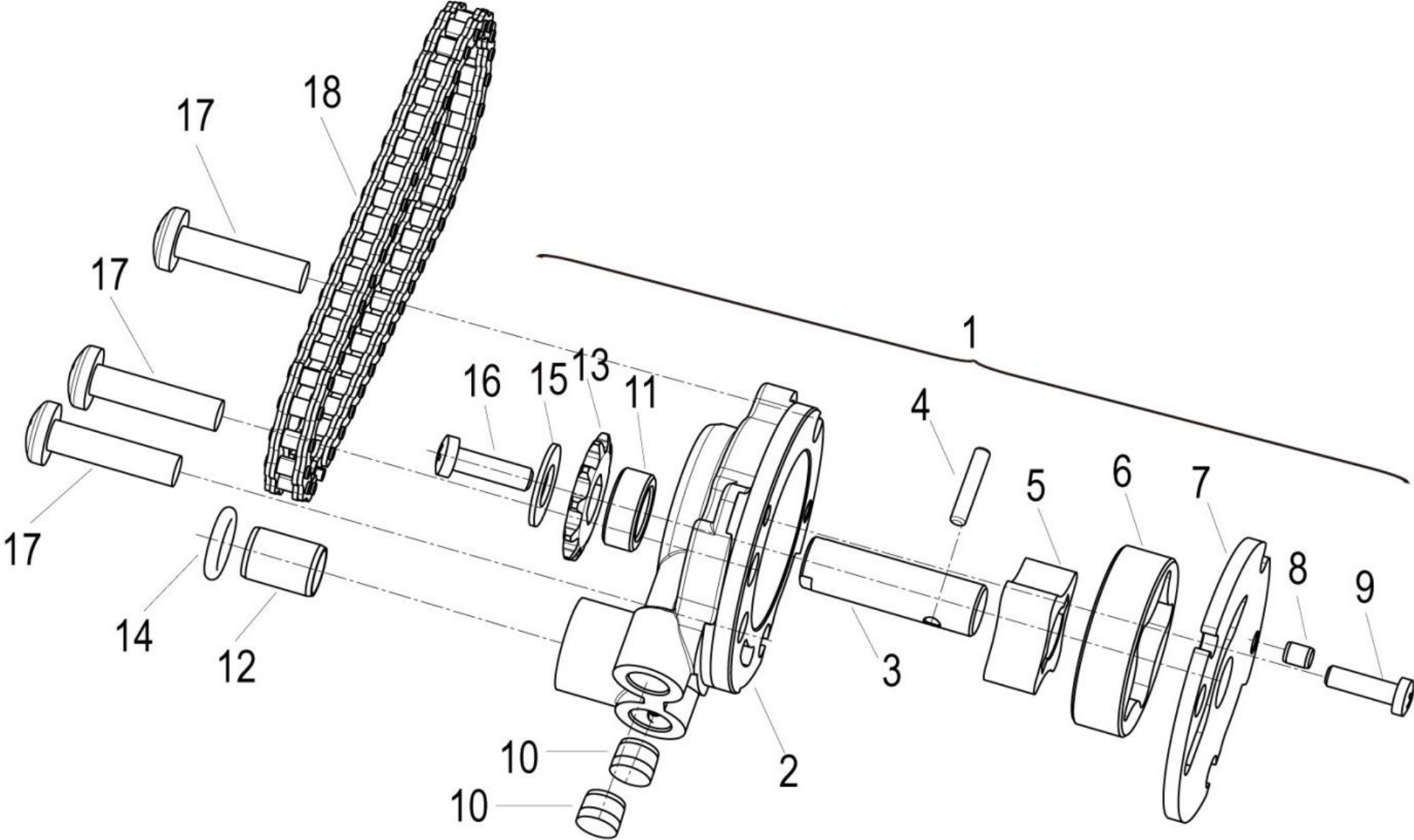
E13 ELECTRIC STARTER ASSY (电启动分总成)



NO.	Position No.	CODE	EN DESCRIPTION	Qty/Unit	Remark
1	E13	299035150020	STATOR COIL ASSY	1	
2	E13	B0217060168H	BOLT M6×16	9	
3	E13	29902515002X	FLY WHEEL ASSY	1	
4	E13	249105150000	STARTER CLUTCH ASSY	1	
5	E13	249045150000	STARTER IDLE GEAR	1	
6	E13	249055150000	STARTER IDLE GEAR SHAFT	1	
7	E13	240265150000	STARTER CLUTCH DRIVE GEAR	1	
8	E13	B0107060206H	BOLT M6×20	2	
9	E13	249015150060	STARTER MOTOR ASSY	1	
10	E13	240035150000	STARTING MOTOR GEAR	1	
11	E13	240045150000	STARTING MOTOR GEAR SHAFT	1	

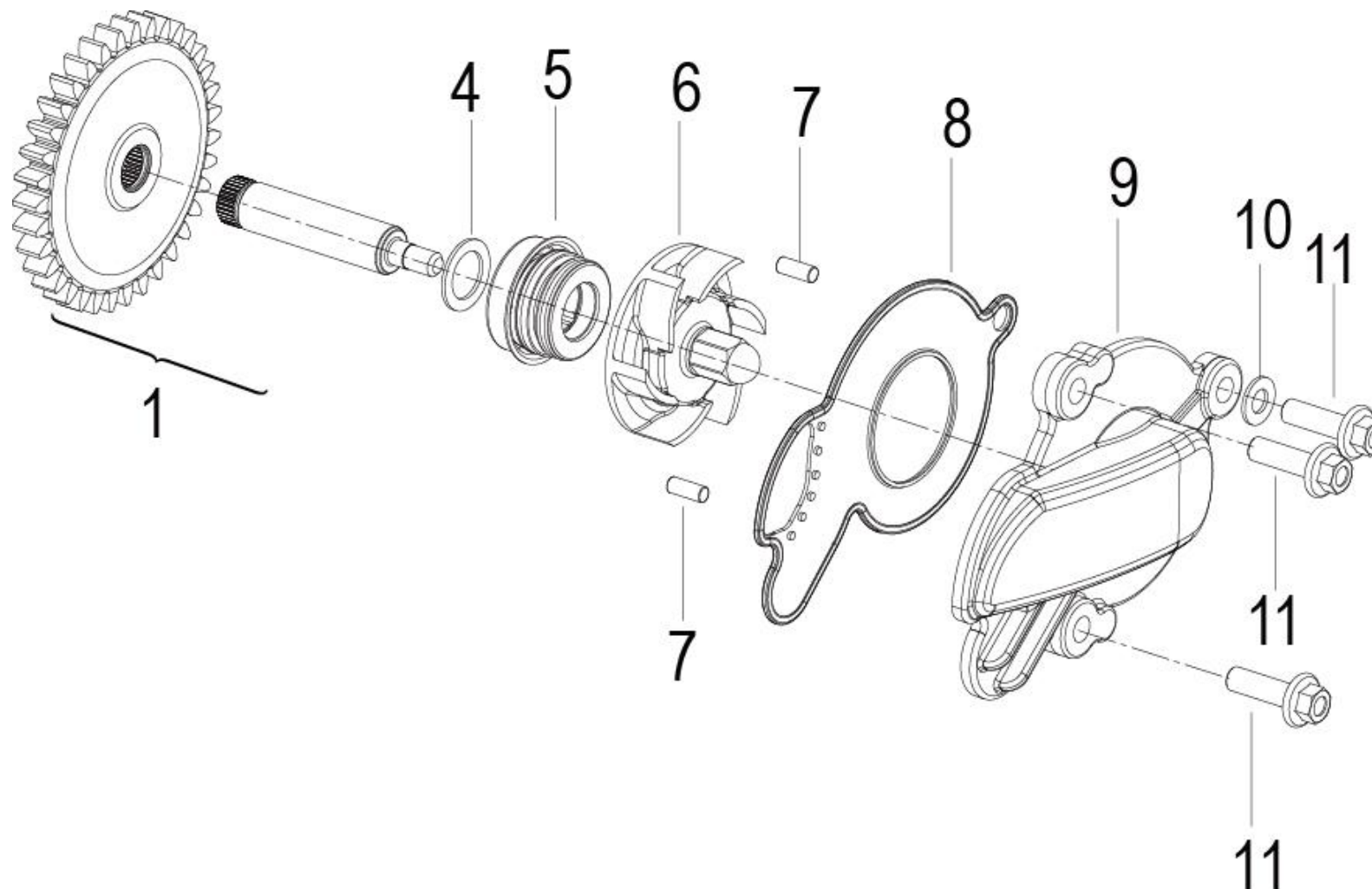


E14 OIL PUMP ASSY.



NO.	Position No.	CODE	EN DESCRIPTION	Qty/Unit	Remark
1	E14	269245150000	OIL PUMP ASSEMBLY	1	
2	E14	269095150001	OIL PUMP BODY	1	
3	E14	269235150000	OIL PUMP SHAFT	1	
4	E14	B090103016B0	PIN 3X16	1	
5	E14	260115150001	INNER ROTOR	1	
6	E14	260105150000	OUTER ROTOR	1	
7	E14	269105150000	OIL PUMP COVER	1	
8	E14	B090104005A0	PIN	1	
9	E14	B02040401023	SMALL PAN HEAD SCREWS WITH CROSS RECESS M4x10	1	
10	E14	260195150000	PLUG	2	
11	E14	269215150000	COLLAR	1	
12	E14	150083070000	DOWEL PIN	1	
13	E14	269225150000	OIL PUMP DRIVEN SPROCKET	1	
14	E14	260113070000	O-RING	1	
15	E14	260053300000	WASHER	1	
16	E14	B0107050106H	BOLT M5x10	1	
17	E14	B0107060256H	SCREW M6x25	3	
18	E14	269205150000	OIL PUMP DRIVE CHAIN	1	

E15 COOLING SYSTEM ASSY (冷却系统分总成)



NO.	Position No.	CODE	EN DESCRIPTION	Qty/Unit	Remark
1	E15	270025250000	IMPELLER SHAFT ASSY	1	
4	E15	270105100000	WASHER 12.2x18x1	1	
5	E15	270216030000	EKK SEAL ASSY	1	
6	E15	279215250000	IMPELLER	1	
7	E15	B091404010B0	PIN 4x10	2	
8	E15	279265250000	WATER PUMP COVER BOARD	2	
9	E15	279255250010	WATER PUMP COVER	1	
10	E15	270345050000	WASHER	1	
11	E15	B0107060206H	BOLT M6x20	3	