




Benelli

PURA PASSIONE DAL 1911 

S.P.Catalog_VZ125i

COLOR	SATIN BLACK	BLUE	RED
CODE	BA	K4	RB
PICTURE			

JCK(Q17-00)-QJ125T-13B (电喷、非欧规) -1A

JCK(Q19-12)-QJ125T-13B (电喷、大灯常亮) -1A散件

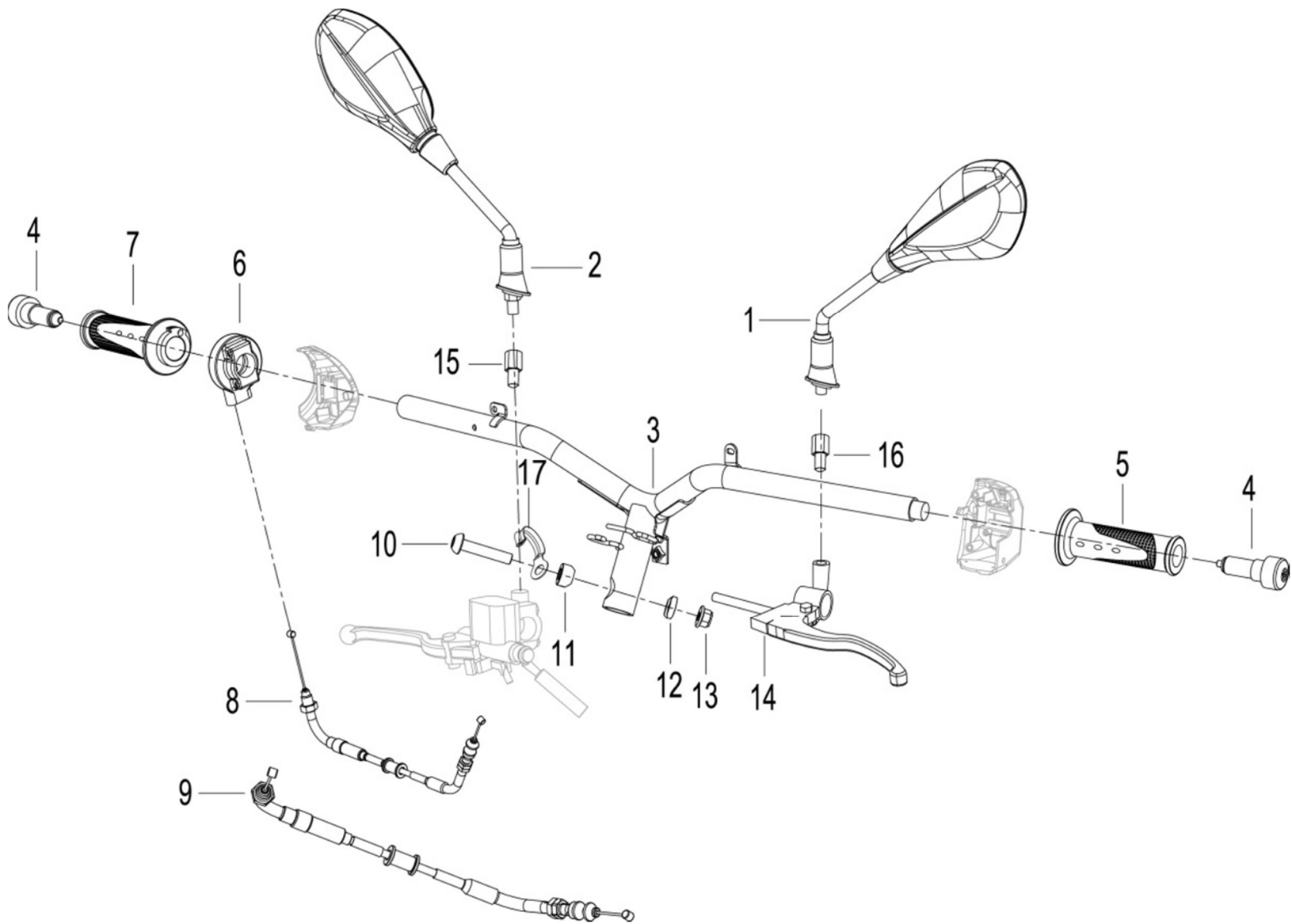
C23610060000

C2361009HT00

QJ154QMI-5A

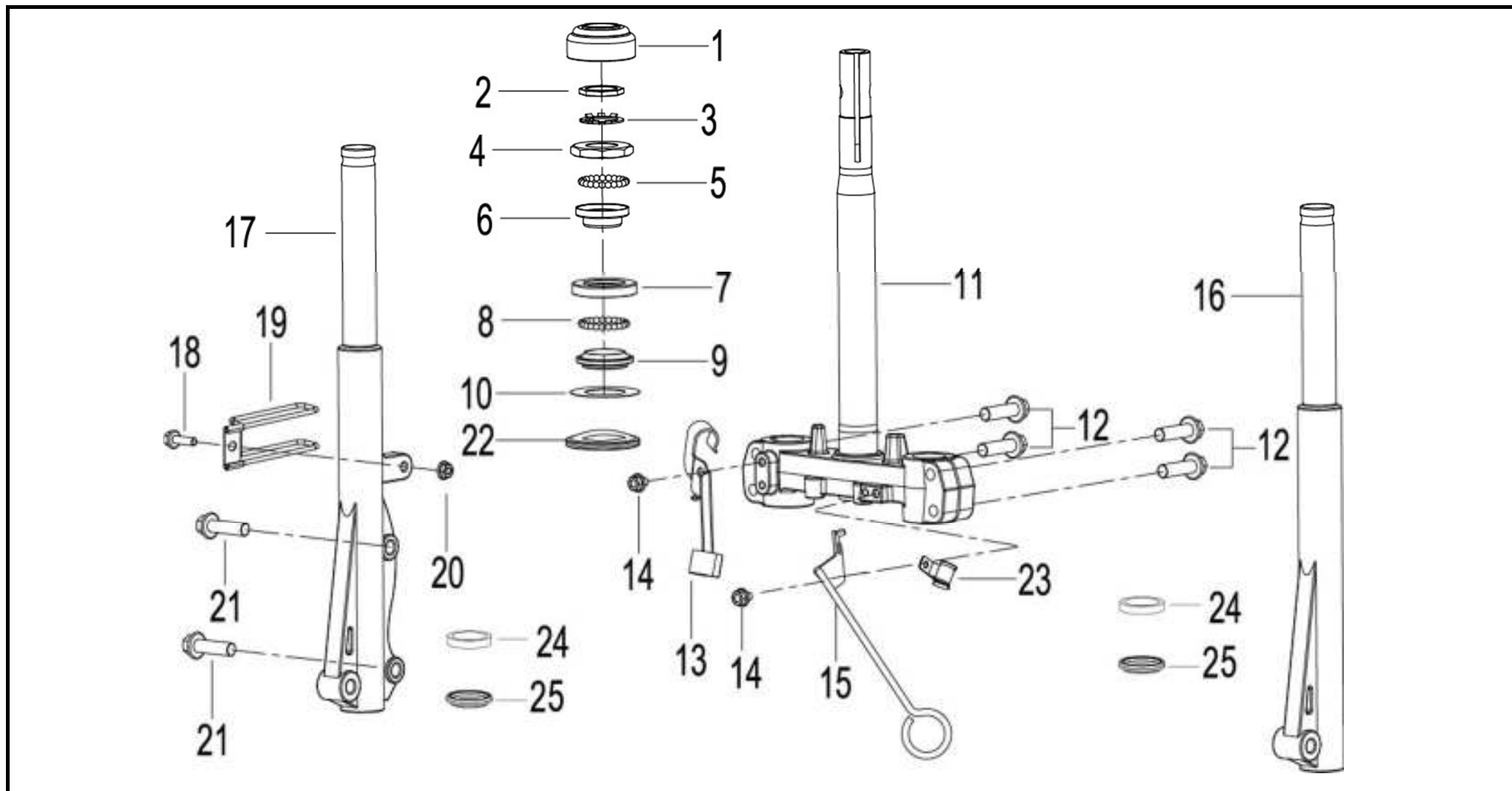
QJ154QMI-5A

F01 操纵 CONTROL ASSY.



Model	NO.	Position No.	CODE	EN DESCRIPTION	Qty/Unit	price	NOTES
VZ125i	1	F01	40450V500002	LR VIEW MIRROR ASSY	1	21.60	
VZ125i	2	F01	40480V500002	RR VIEW MIRROR ASSY	1	21.60	
VZ125i	3	F01	40100T970000	HANDLEBAR ASSY	1	50.40	
VZ125i	4	F01	40030H170000	BALANCE BLOCK ASSY.	2	9.40	
VZ125i	5	F01	40001L070004	LEFT HANDLEBAR GRIP	1	10.00	
VZ125i	6	F01	40320V500000	THROTTLE CABLE HOUSING ASSY	1	8.00	
VZ125i	7	F01	40210L070004	RIGHT HANDLEBAR GRIP	1	10.00	
VZ125i	8	F01	40300T970000	THROTTLE CABLE ASSY	1	15.70	
VZ125i	9	F01	40270T970000	REAR BRAKE CABEL ASSY.	1	19.50	
VZ125i	10	F01	40131G510100	FIX BOLT,HANDLERBAR	1	2.60	
VZ125i	11	F01	40031T030000	HANDLE BLOCK	1	1.70	
VZ125i	12	F01	40028T800000	FIXED DIRECTION II	1	1.70	
VZ125i	13	F01	B0417101254H	NUT M10×1.25	1	1.50	
VZ125i	14	F01	40080V500020	CLUTCH LEVER	1	19.50	
VZ125i	15	F01	40474J300007	BUSH,FOR RIGHT	1	1.70	
VZ125i	16	F01	40474V500000	BUSH,FOR LEFT	1	1.70	
VZ125i	17	F02	43057J000070	CLIP	1	1.00	

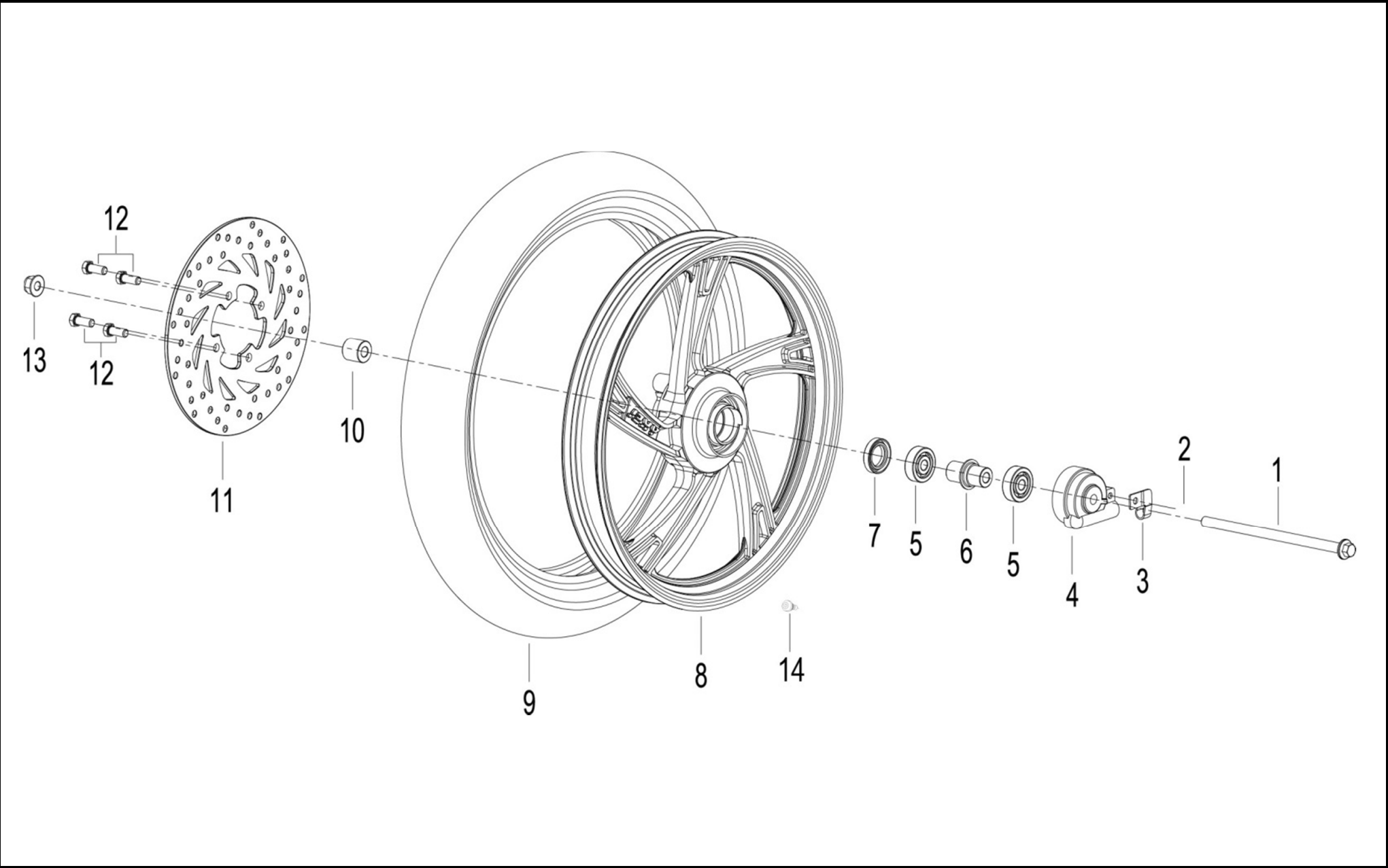
F02 前叉FRONT FORK ASSY.



Model	NO.	Position No.	CODE	EN DESCRIPTION	Qty/Unit	price	NOTES
VZ125i	1	F02	43005T750000	COVER, DUSTPROOF	1	1.60	
VZ125i	2	F02	08052T020000	LOCK NUT	1	1.30	

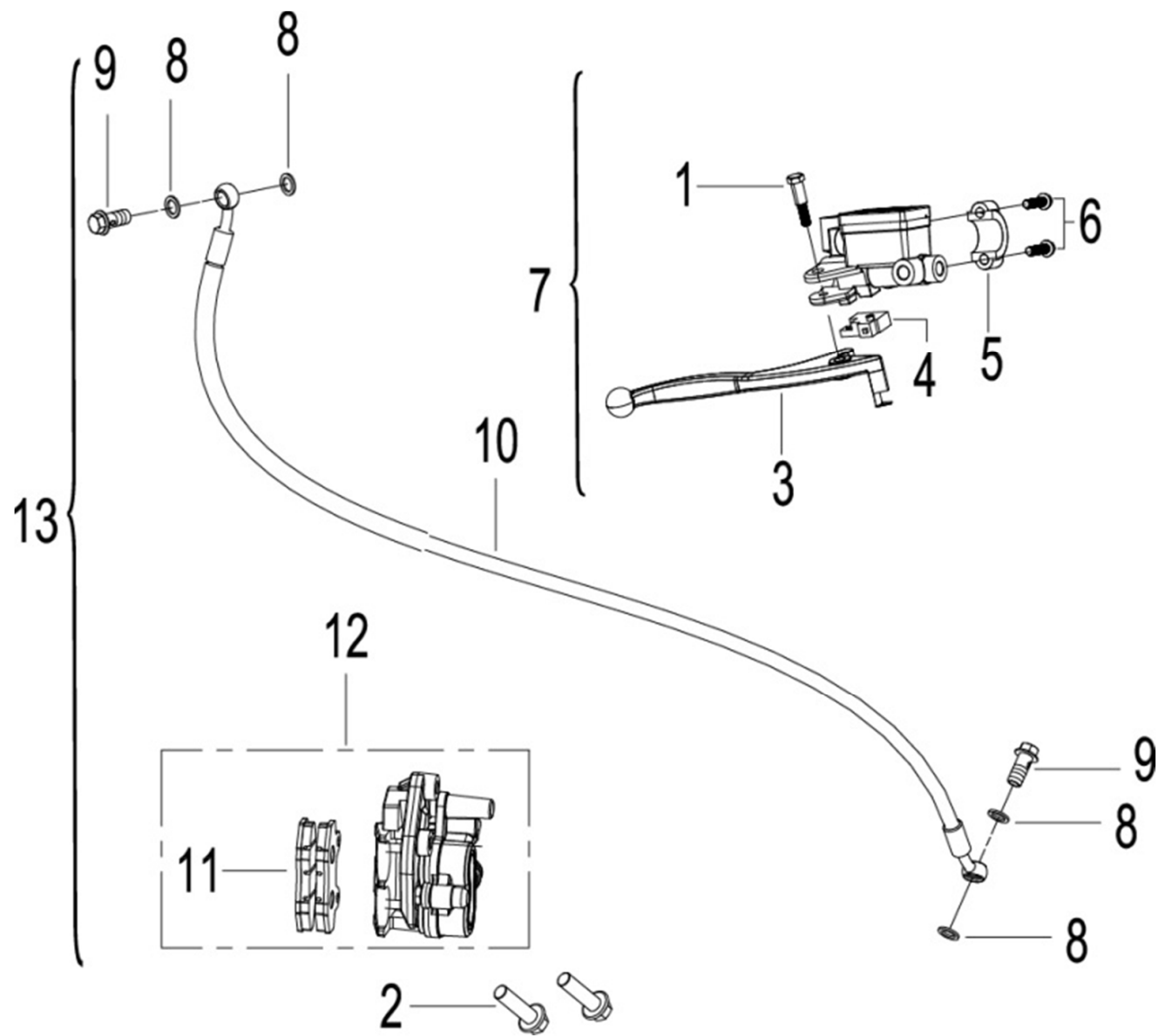
Model	NO.	Position No.	CODE	EN DESCRIPTION	Qty/Unit	price	NOTES
VZ125i	3	F02	96800B030001	SAFE PLATE	1	0.60	
VZ125i	4	F02	43001T020000	RACE,UPPER TOP BEARING	1	9.10	
VZ125i	5	F02	B06010110000	BALL,UPPER 5/32	25	0.20	
VZ125i	6	F02	43002T020000	LOWER CUP, UPPER BEARING	1	5.80	
VZ125i	7	F02	43003T020000	LOWER CUP SEAT	1	5.10	
VZ125i	8	F02	B06010200000	STEEL BALL 1/4	19	0.30	
VZ125i	9	F02	43004T020000	LOWER CUP	1	4.50	
VZ125i	10	F02	43057T750010	DUST SEAL	1	0.40	
VZ125i	11	F02	43100V500000	LOWER BRACKET	1	111.70	
VZ125i	12	F02	B02551004062	SCREW M10×1.25×40	4	6.20	
VZ125i	13	F02	45044T970000	FRONT BRAKE HOSE HOLDER	1	1.20	
VZ125i	14	F02	B0109060126H	BOLT M6×12	2	0.40	
VZ125i	15	F02	43030T970000	GEAR WIRE HOLDER	1	4.80	
VZ125i	16	F02	43200V500000	FRONT LEFT SHOCK ABSORBER ASSY	1	130.80	
VZ125i	17	F02	43300V500000	FRONT RIGHT SHOCK ABSORBER ASSY	1	130.80	
VZ125i	18	F02	B0109060206H	BOLT M6×20	1	0.60	
VZ125i	19	F02	45350V500000	FRONT BRAKE HOSE HOLDER	1	1.80	
VZ125i	20	F02	B0407060005H	NUT M6	1	0.30	
VZ125i	21	F02	B0159100356H	BOLT M10×1.25×35	2	2.00	
VZ125i	22	F02	43006T820000	WASHER,DUSTPROOF	1	0.30	
VZ125i	23	F02	43070J670010	CLIP,CLUTCH CABLE	1	2.20	
VZ125i	24	F02	43260H290000	OIL SEAL	2	7.80	
VZ125i	25	F02	43290H290000	DUST SEAL	2	0.70	
VZ125i	26	F02	43035T970000	CLIP II	1	2.00	

F03 前轮 FRONT WHEEL ASSY.



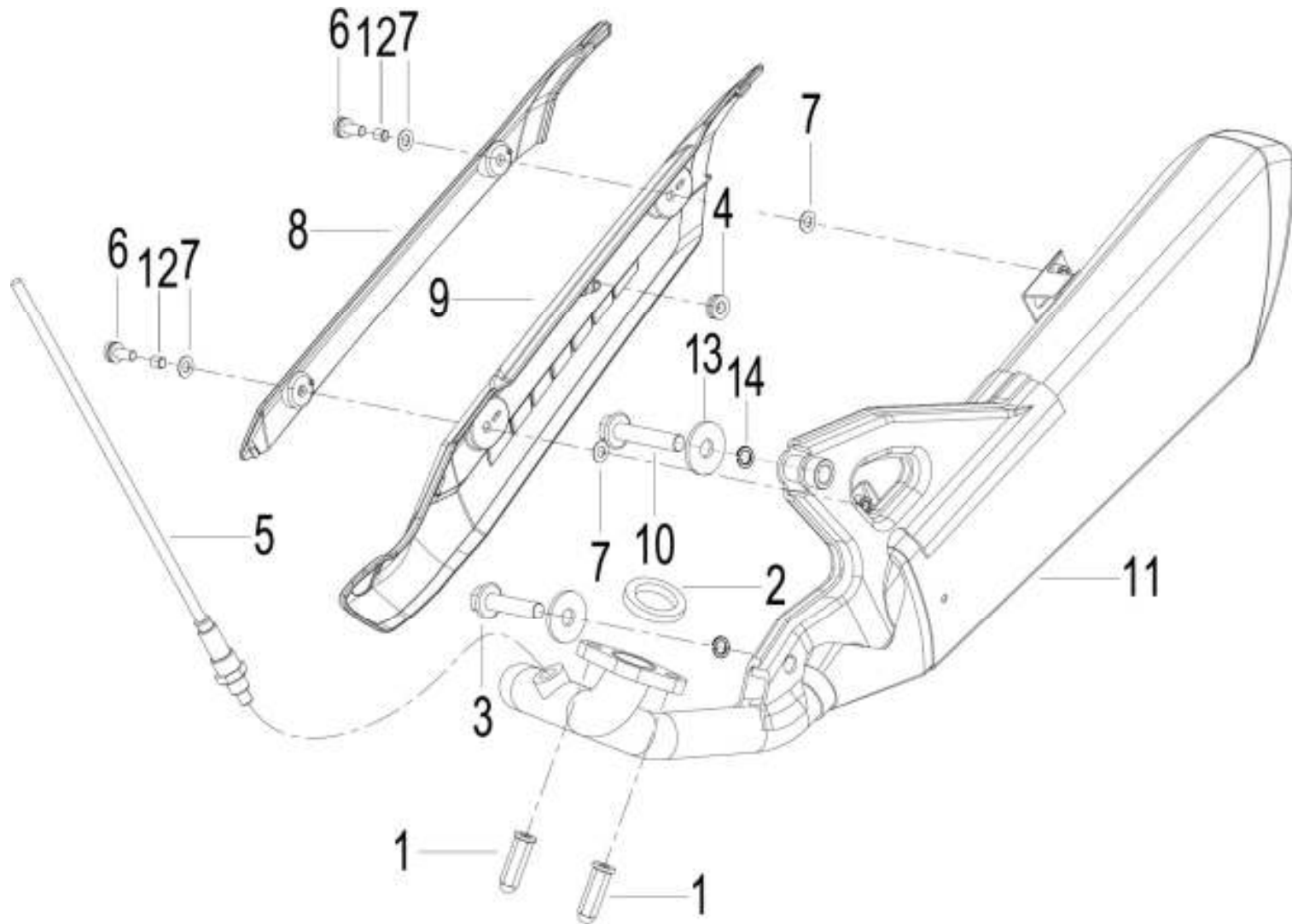
Model	NO.	Position No.	CODE	EN DESCRIPTION	Qty/Unit	price	NOTES
VZ125i	1	F03	53001T020200	SHAFT	1	9.40	
VZ125i	2	F03	B0200050122H	SCREW M5×12	1	0.30	
VZ125i	3	F03	43058T970000	SPEEDOMETER GEAR WIRE BRACKET	1	2.50	
VZ125i	4	F03	44200T970000	SPEEDOMETER GEAR	1	61.30	
VZ125i	5	F03	B12016030000	BEARING 6300-2RS	2	7.40	
VZ125i	6	F03	44600V500100	FRONT WHEEL MIDDLE SHAFT SLEEVE	1	5.60	
VZ125i	7	F03	44300B910000	FRONT OIL SEAL COMPONENTS	1	1.40	
VZ125i	8	F03	44101T970002	FRONT RIM	1	239.30	for Q19-12 Malaysia market
VZ125i	9	F03	AC-70/90-14 SB-132F 70/90-14 SB-132F	TUBELESS	1	82.80	
VZ125i	10	F03	44005V500100	FRONT WHEEL SHAFT SLEEVE	1	5.60	
VZ125i	11	F03	45033V500000	FRONT BRAKE DISC	1	113.50	
VZ125i	12	F03	B02810802062	BOLT M8×1.25×20	4	1.40	
VZ125i	13	F03	B0417101254H	NUT M10×1.25	1	1.50	
VZ125i	14	F03	B1403Z201100	AIR VALVE/RIM VALVE	1	4.80	for Q19-12 Malaysia market

F04 前液刹总成 FRONT DISK BRAKE



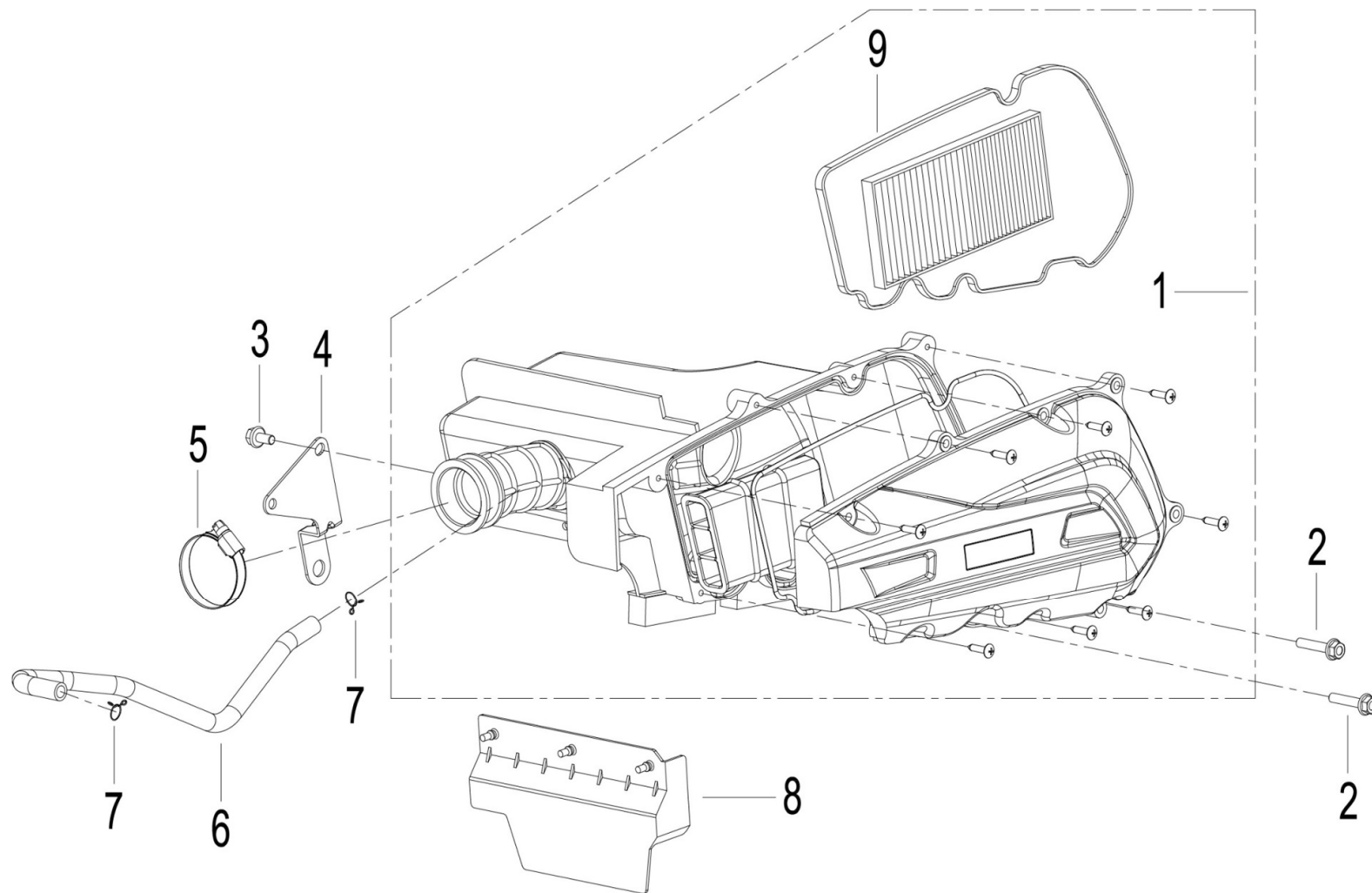
Model	NO.	Position No.	CODE	EN DESCRIPTION	Qty/Unit	price	NOTES
VZ125i	1	F04	45024T400000	BRAKE LEVER PIVOT SCREW	1	3.90	
VZ125i	2	F04	B0159100356H	BOLT M10×1.25×35	2	2.00	
VZ125i	3	F04	45022V500000	FRONT BRAKE LEVER.	1	22.00	
VZ125i	4	F04	45300T430000	FRONT BRAKE SWITCH	1	2.50	
VZ125i	5	F04	45023V500000	BRAKE MASTER CYLINDER HOLDER	1	3.10	
VZ125i	6	F04	B01070602365	BOLT M6×23	2	1.20	
VZ125i	7	F04	45400V500000	CYLINDER COMP. (BLACK)	1	166.50	
VZ125i	8	F04	45180J000000	WASHER	4	0.60	
VZ125i	9	F04	45037J000000	BOLT	2	2.30	
VZ125i	10	F04	45200V500001	FRONT BRAKE HOSE ASSY.	1	TBA	
VZ125i	11	F04	45120U060000	FRONT BRAKE PADS	1set	27.30	
VZ125i	12	F04	45600V500100	FRONT BRAKE CALIPER,GOLDEN	1	TBA	
VZ125i	13	F04	45900V500001	FRONT BRAKE ASSY	1	246.50	

F05 消声器 MUFFLER ASSY.



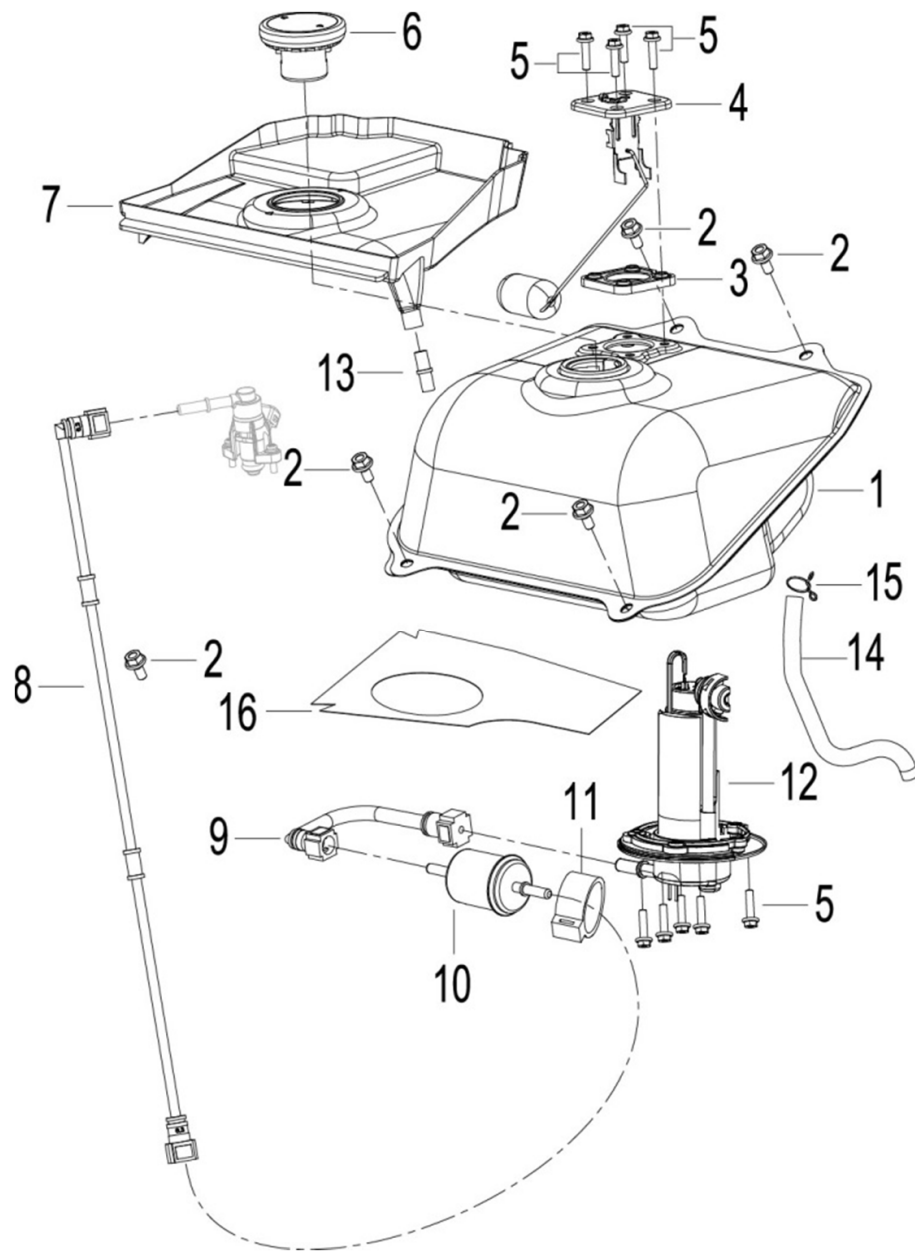
Model	NO.	Position No.	CODE	EN DESCRIPTION	Qty/Unit	price	NOTES
VZ125i	1	F05	08054T020000	NUT M6	2	1.60	
VZ125i	2	F05	47800T090000	GASKET ASSY, EXHAUST PIPE	1	1.20	
VZ125i	3	F05	B0255100506H	SCREW M10×1.25×50	1	1.60	
VZ125i	4	F05	47142T430000	RUBBER SLEEVE	1	0.90	
VZ125i	5	F05	280586030020	OXYGEN SENSOR	1	528.50	
VZ125i	6	F05	B0284060200A	SCREW M6×20	2	2.30	
VZ125i	7	F05	08022N050000	HEAT INSULATION WASHER	4	0.30	
VZ125i	8	F05	47023T97C800	MUFFLER DECORATE PLATE	1	33.80	
VZ125i	9	F05	47024T970000	MUFFLER DECORATE COVER	1	16.40	
VZ125i	10	F05	B0255100556H	SCREW M10×1.25×55	1	2.10	
VZ125i	11	F05	47100T970020	MUFFLER ASSY,WITHOUT CATALYZER	1	TBA	
VZ125i	12	F05	82023J020000	BUSH	2	0.70	
VZ125i	13	F05	B0703000100H	WASHER 10	2	0.30	
VZ125i	14	F05	B0700000100H	SPRING WASHER 10	2	0.30	

F06 空滤器 AIR CLEANER ASSY.



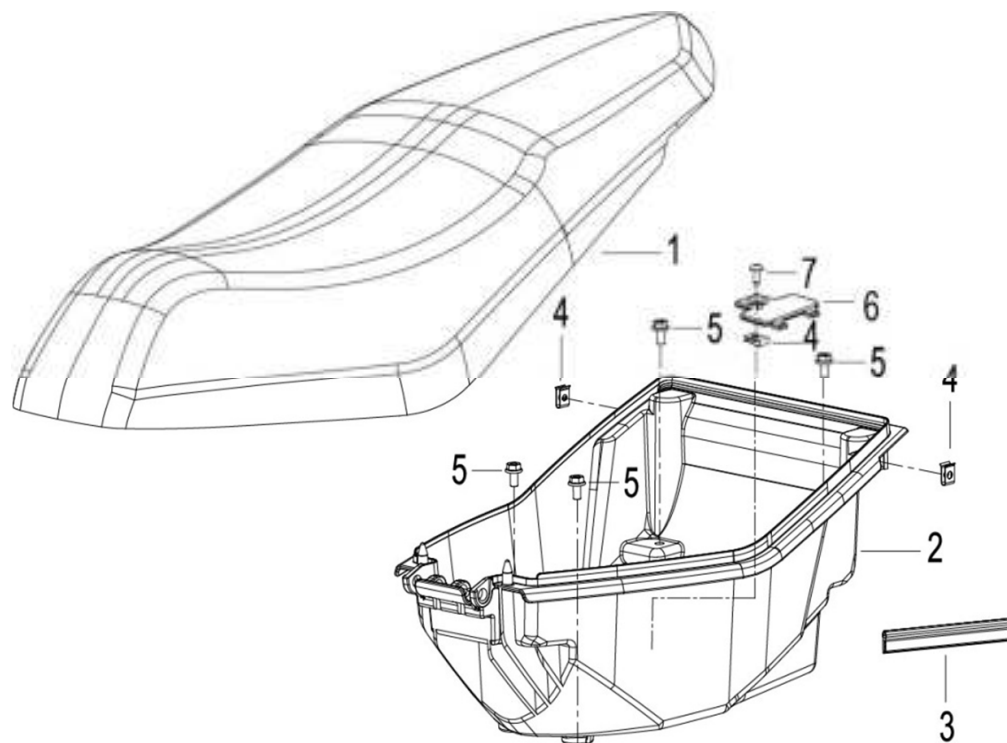
Model	NO.	Position No.	CODE	EN DESCRIPTION	Qty/Unit	price	NOTES
VZ125i	1	F06	49100T970001	AIR CLEANER	1	79.40	
VZ125i	2	F06	B0107060306H	BOLT M6×30	2	0.80	
VZ125i	3	F06	B0109060126H	BOLT M6×12	1	0.40	
VZ125i	4	F06	49360T970000	AIR CLEANER MOUNTING PLATE	1	4.80	
VZ125i	5	F06	49016N070000	STAINLESS CLAMP 50	1	2.60	
VZ125i	6	F06	49025T970000	EXHAUST GAS RECIRCULATION TUBE	1	8.10	
VZ125i	7	F06	B17010105003	CLIP Φ10.5	2	0.40	
VZ125i	8	F06	49035T970000	MUD RUBBER	1	16.20	
VZ125i	9	F06	49200T970000	AIR CLEANER FILTER	1	TBA	

F07 油箱 FUEL TANK



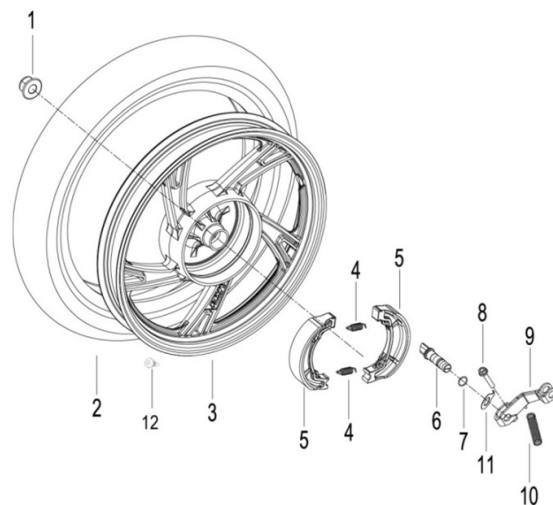
Model	NO.	Position No.	CODE	EN DESCRIPTION	Qty/Unit	price	NOTES
VZ125i	1	F07	50100T970001	FUEL TANK	1	93.70	
VZ125i	2	F07	B0109060126H	BOLT M6×12	5	0.40	
VZ125i	3	F07	50811T820010	SENSOR RUBBER PAD	1	TBA	
VZ125i	4	F07	50800V500000	FUEL SENSOR ASSY	1	16.80	
VZ125i	5	F07	B0109050206H	BOLT M5×20	9	0.60	
VZ125i	6	F07	50200H290100	FUEL TANK CAP ASSY	1	10.20	
VZ125i	7	F07	50011T970000	WATERPROOF GASKET	1	19.50	
VZ125i	8	F07	50380T970000	TUBE II	1	43.30	
VZ125i	9	F07	50370T970000	TUBE	1	30.60	
VZ125i	10	F07	50340T820000	FUEL FILTER	1	24.20	
VZ125i	11	F07	50391N070000	FUEL FILTER JACKET	1	1.40	
VZ125i	12	F07	50400V020000	FUEL PUMP ASSY.	1	291.50	
VZ125i	13	F07	64008G220000	CONNECTOR	1	0.60	
VZ125i	14	F07	B16010726001	HOSE Φ7×Φ11×600	1	6.10	
VZ125i	15	F07	B17010105003	CLIP Φ10.5	1	0.40	
VZ125i	16	F07	50029T970000	ALUMINIUM FOIL	1	19.00	

F08 座垫 SEAT ASSY.



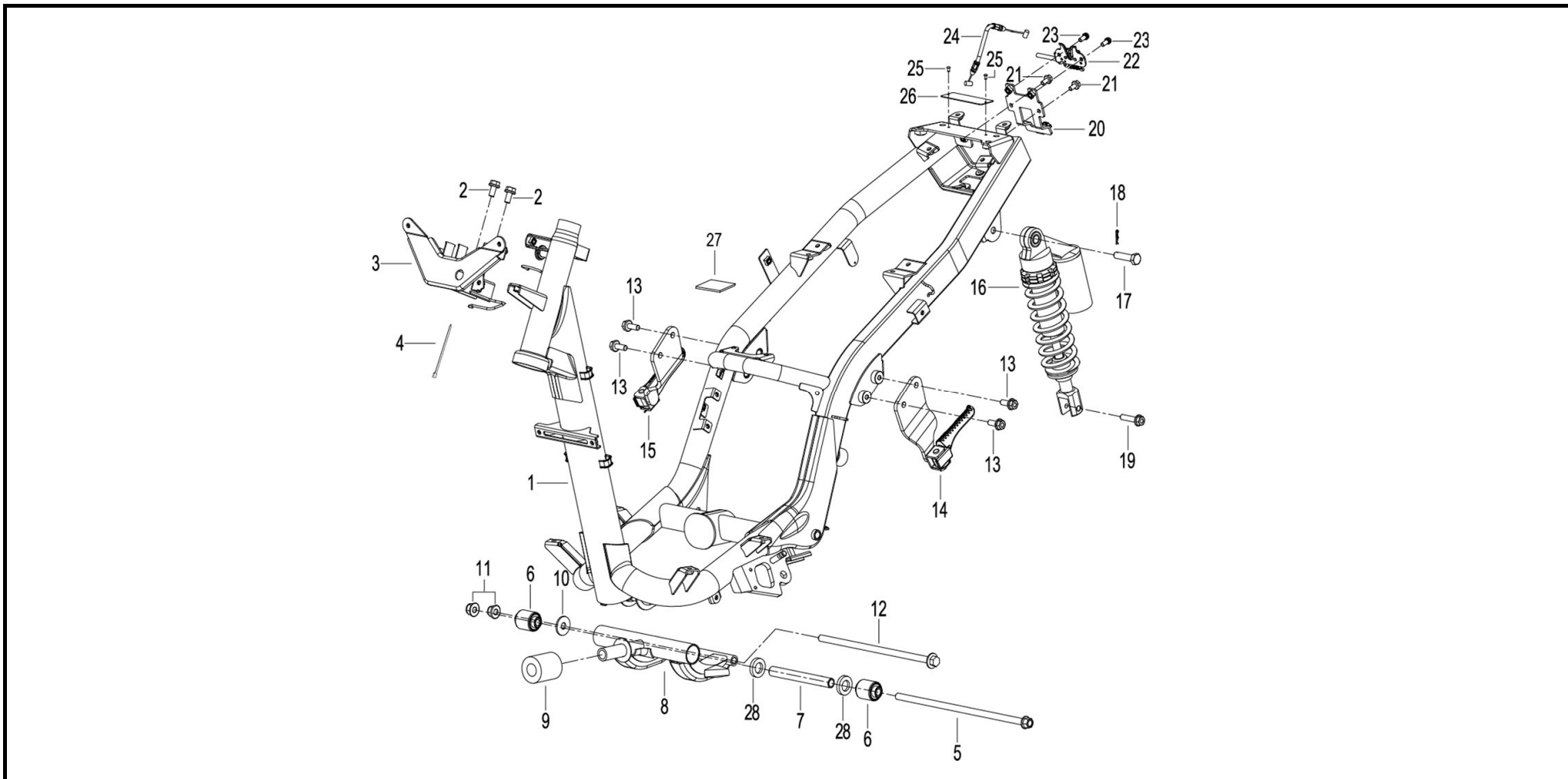
Model	NO.	Position No.	CODE	EN DESCRIPTION	Qty/Unit	price	NOTES
VZ125i	1	F08	51100T970000	SEAT ASSY,MARK:BENELLI	1	172.10	
VZ125i	2	F08	51004T970000	HELMET BOX	1	50.30	
VZ125i	3	F08	51012T970000	HELMET BOX SEALING STRIP	1	13.70	
VZ125i	4	F08	65801T020201	INSERT ST4.2	2	0.30	
VZ125i	5	F08	B0109060126H	BOLT M6×12	4	0.40	
VZ125i	6	F08	51005T970000	HELMET COVER	1	10.10	
VZ125i	7	F08	B0507420101H	SCREW ST4.2×10	1	0.20	

F09 后轮 REAR WHEEL ASSY.



Model	NO.	Position No.	CODE	EN DESCRIPTION	Qty/Unit	price	NOTES
VZ125i	1	F09	B0417161504H	SELF-LOCKING NUT M16×1.5	1	3.70	
VZ125i	2	F09	AC-80/90-14 SB-141R	TUBELESS TIRE 80/90-14 SB-141R	1	TBA	
VZ125i	3	F09	54100T970002	REAR RIM ASSY.	1	279.50	for Q19-12 Malaysia market
VZ125i	4	F09	54001H420000	BRAKE SHOE SPRING	2	1.00	
VZ125i	5	F09	54200H420010	BRAKE SHOE ASSY	2	14.90	
VZ125i	6	F09	54003H420000	CAMSHAFT, BRAKE, REAR,GOLD	1	10.10	
VZ125i	7	F09	54640T030000	SEAL RING	1	0.20	
VZ125i	8	F09	B0109060356H	BOLT M6×35	1	0.60	
VZ125i	9	F09	54250T970000	REAR BRAKE SWING ARM	1	10.10	
VZ125i	10	F09	54008T030001	RETURN SPRING,BRAKE,REAR	1	0.40	
VZ125i	11	F09	54002T970000	REAR BRAKE WEAR INDICATOR	1	0.40	
VZ125i	12	F09	B1403Z201100	AIR VALVE/RIM VALVE	1	4.80	for Q19-12 Malaysia market

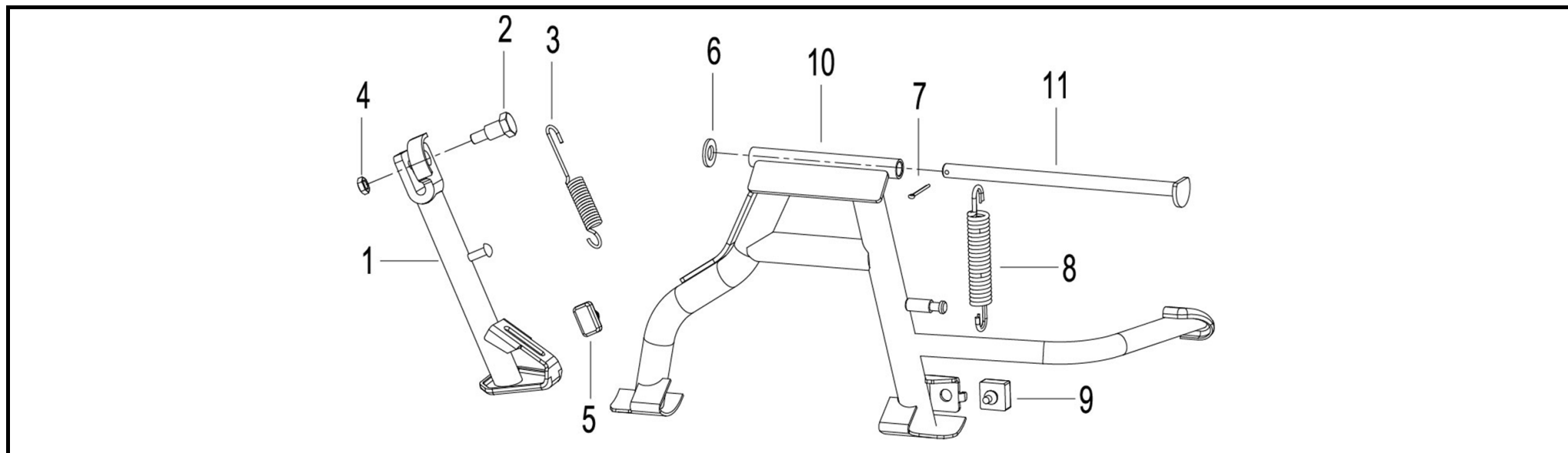
F10 车架 FRAME ASSY



Model	NO.	Position No.	CODE	EN DESCRIPTION	Qty/Unit	price	NOTES
VZ125i	1	F10	57100T970000	FRAME ASSY	1	TBA	
VZ125i	2	F10	B0109080166H	BOLT M8×16	2	1.00	
VZ125i	3	F10	59400T970000	FRONT FACEPLATE BRAK CET	1	21.60	

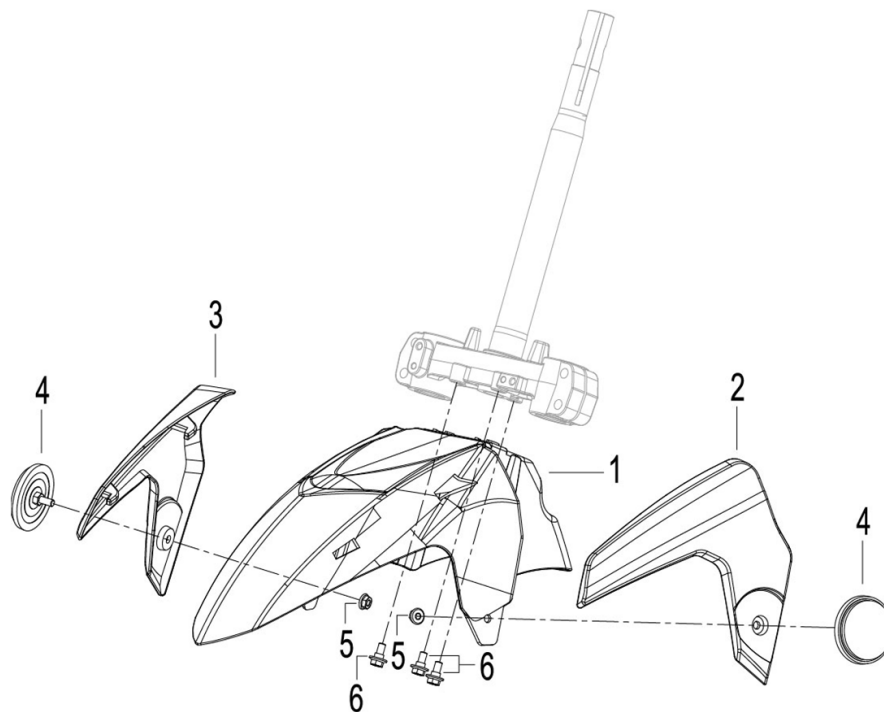
Model	NO.	Position No.	CODE	EN DESCRIPTION	Qty/Unit	price	NOTES
VZ125i	4	F10	40098B450000	BAND 3×150	1	0.40	
VZ125i	5	F10	58301V500100	FIXED SHAFT HANGER M10×1.25×276	1	10.70	
VZ125i	6	F10	58340H350020	BUSH	2	6.50	
VZ125i	7	F10	58351T880101	SLEEVE ASSY.	1	7.30	
VZ125i	8	F10	58320T880000	E/G BRACKET ASSY.	1	41.70	
VZ125i	9	F10	58342B990010	BUSH	1	6.50	
VZ125i	10	F10	B0703000100H	WASHER 10	1	0.30	
VZ125i	11	F10	B0417101254H	SELF-LOCKING NUT M10×1.25	2	1.50	
VZ125i	12	F10	58501T750200	MAIN STAND AXLE M10×1.25×240	1	9.90	
VZ125i	13	F10	B0109080256H	BOLT M8×25	4	1.00	
VZ125i	14	F10	58260T970001	LEFT REAR PEDAL	1	39.60	
VZ125i	15	F10	58280T970001	RIGHT REAR PEDAL	1	39.60	
VZ125i	16	F10	63800K971000	REAR CUSHION UNIT	1	175.60	
VZ125i	17	F10	B0114100406H	BOLT M10×1.25×40	1	1.40	
VZ125i	18	F10	08382B000000	COTTER PIN	1	0.30	
VZ125i	19	F10	B0109080356H	BOLT M8×35	1	1.10	
VZ125i	20	F10	58070T970000	SEAT LOCK MOUNTING BRACKET	1	2.00	
VZ125i	21	F10	B0109060126H	BOLT M6×12	2	0.40	
VZ125i	22	F10	58800T800100	SAET LOCK BRACKET ASSY	1	8.40	
VZ125i	23	F10	B02810601262	SCREW M6×12-8.8-ZG	2	0.70	
VZ125i	24	F10	40680T970000	SEAT LOCK CABLE	1	4.80	
VZ125i	25	F10	B100432007P0	RIVET 3.2×7	2	0.30	
VZ125i	27	F10	65436T490000	SPONGE MAT	1	0.50	
VZ125i	28	F10	58353H350001	RUBBER	2	0.90	

F11 中撑/单撑 MAIN STAND ASSY



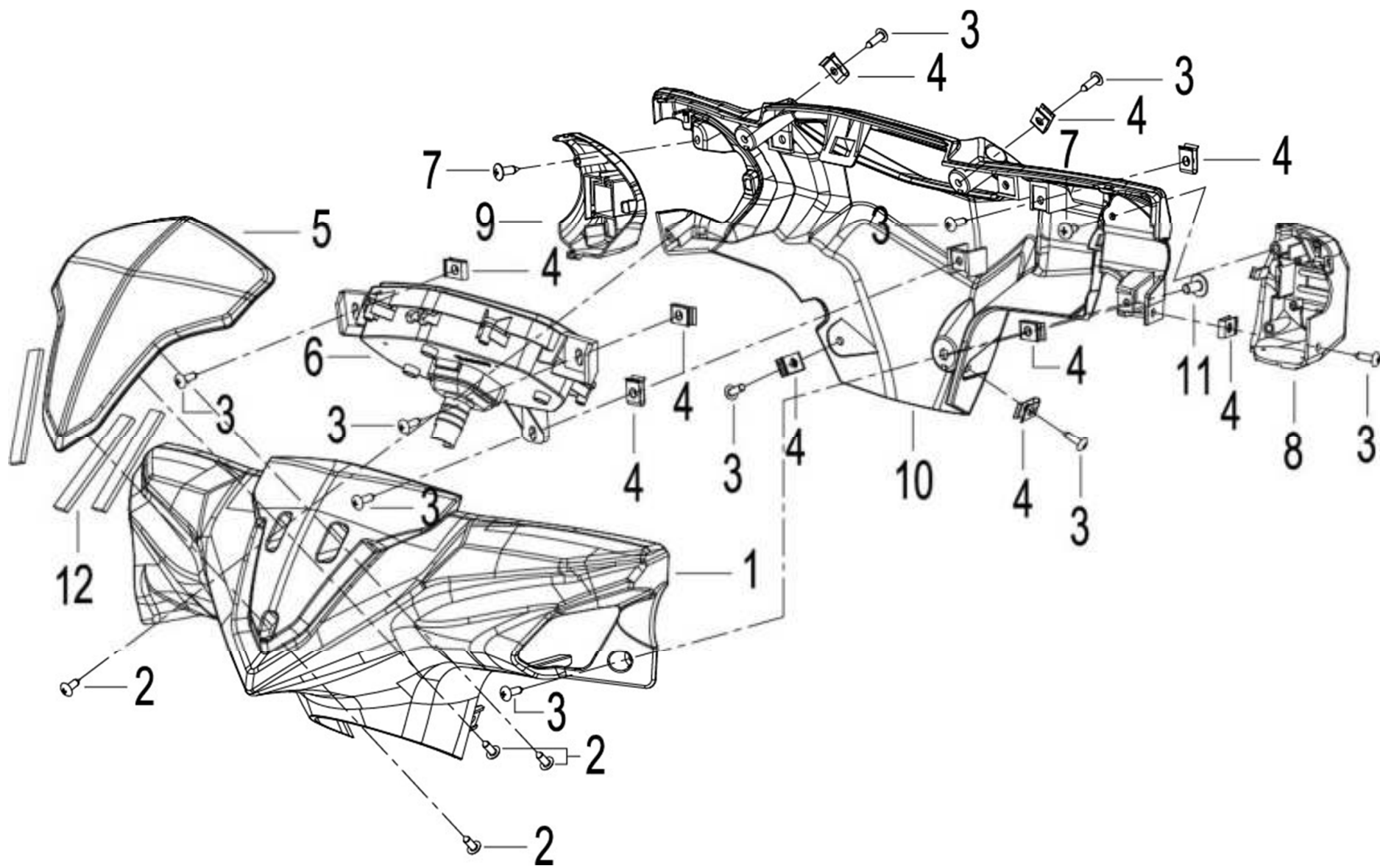
Model	NO.	Position No.	CODE	EN DESCRIPTION	Qty/Unit	price	NOTES
VZ125i	1	F11	58700T970000	SIDE STAND ASSY	1	18.20	
VZ125i	2	F11	57005B410101	SIDE STAND BOLT M8×35.5	1	1.20	
VZ125i	3	F11	57010N100100	SIDE STAND SPRING ASSY	1	2.50	
VZ125i	4	F11	B0402080001H	NUT M8	1	0.20	
VZ125i	5	F11	57215N100000	SINGLE BUFFER RUBBER	1	1.00	
VZ125i	6	F11	B0702000100H	WASHER 10	1	0.30	
VZ125i	7	F11	B090003025AH	COTTER PIN 3×25	1	0.30	
VZ125i	8	F11	58510K020000	DOUBLE SPRING	1	4.20	
VZ125i	9	F11	169143540000	BUFFER RUBBER	1	1.80	
VZ125i	10	F11	58520T880000	MAIN STAND ASSY.	1	55.60	
VZ125i	11	F11	58501T880100	MAIN STAND AXLE	1	9.20	

F12 前泥板 FRONT FENDER



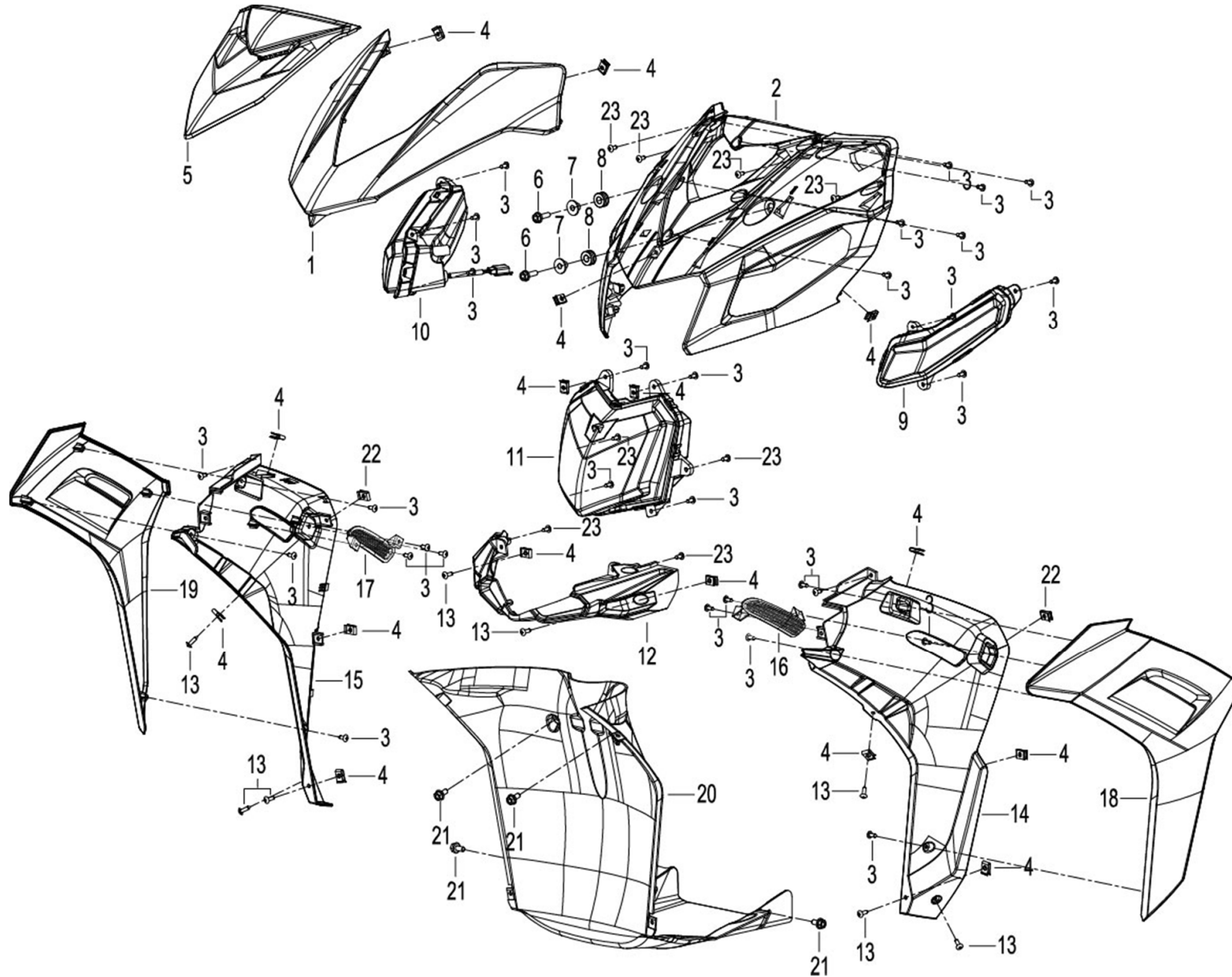
Model	NO.	Position No.	CODE	EN DESCRIPTION	Qty/Unit	price	NOTES
VZ125i	1	F12	65101T97BA00	FRONT FENDER,SATIN BLACK BA,WITHOUT STICKER	1	90.90	
VZ125i	1	F12	65101T97K400	FRONT FENDER,BLUE K4,WITHOUT STICKER	1	80.30	
VZ125i	1	F12	65101T97RB00	FRONT FENDER,RED RB,WITHOUT STICKER	1	90.90	
VZ125i	2	F12	65108T970000	FRONT BOARD DECORATIVE BOARD ,L	1	3.20	
VZ125i	3	F12	65116T970000	FRONT BOARD DECORATIVE BOARD ,R	1	3.20	
VZ125i	4	F12	86300N060001	SIDE REFLECTOR	2	2.80	
VZ125i	5	F12	B0407060005H	NUT M6	2	0.30	
VZ125i	6	F12	08011H010200	BOLT 6×14MM	3	0.80	

F13 龙头护罩 HANDLE COVER



Model	NO.	Position No.	CODE	EN DESCRIPTION	Qty/Unit	price	NOTES
VZ125i	1	F13	65201T97BA00	HANDLE COVER,FRONT,SATIN BLACK BA,WITHOUT STICKER	1	57.80	
VZ125i	1	F13	65201T97K400	HANDLE COVER,FRONT,BLUE K4,WITHOUT STICKER	1	57.80	
VZ125i	1	F13	65201T97RB00	HANDLE COVER,FRONT,RED RB,WITHOUT STICKER	1	57.80	
VZ125i	2	F13	B0507420130H	TAPPING SCREW ST4.2×13	4	0.30	
VZ125i	3	F13	B0507420160H	TAPPING SCREW ST4.2×16	10	0.30	
VZ125i	4	F13	65801T020201	INSERT ST4.2	10	0.30	
VZ125i	5	F13	65203T97BH00	METER VISOR,EXTRA BLACK BH	1	14.80	
VZ125i	6	F13	70000T970000	METER ASSY	1	426.40	
VZ125i	7	F13	B0507480160H	SCREW ST4.8×16	2	0.20	
VZ125i	8	F13	40500V500010	LEFT HANDLEBAR SWITCH	1	28.20	
VZ125i	9	F13	40600V500001	RIGHT HANDLEBAR SWITCH	1	25.30	
VZ125i	10	F13	65202T970000	HANDLE COVER,REAR	1	11.00	
VZ125i	11	F13	B02830601262	SCREW M6×12	1	0.40	
VZ125i	12	F13	82044L290000	SPONGE MAT	3	1.20	

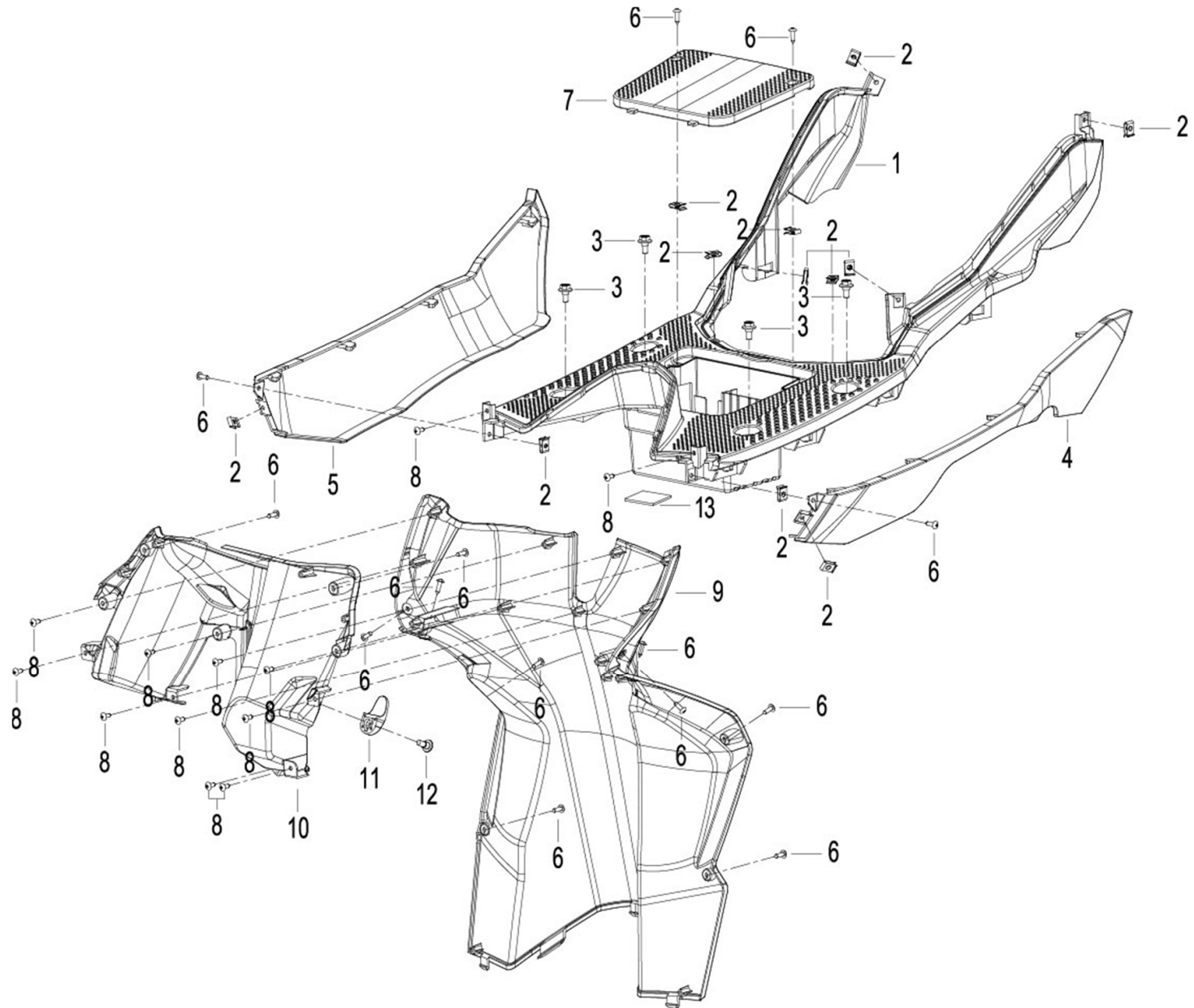
F14 前大單面板 FRONT FACEPLATE



Model	NO.	Position No.	CODE	EN DESCRIPTION	Qty/Unit	price	NOTES
VZ125i	1	F14	65301T97001Z	FRONT FACEPLATE,SATIN BLACK BA,WITH STICKER	1	54.80	
VZ125i	1	F14	65301T97004Z	FRONT FACEPLATE,BLUE K4,WITH STICKER	1	54.80	
VZ125i	1	F14	65301T97003Z	FRONT FACEPLATE,RED RB,WITH STICKER	1	54.80	
VZ125i	2	F14	65302T970000	FRONT COVER PLATE	1	12.50	
VZ125i	3	F14	B0507420130H	TAPPING SCREW ST4.2×13	30	0.30	
VZ125i	4	F14	65801T020201	INSERT ST4.2	18	0.30	
VZ125i	5	F14	65319T97BA00	FRONT FACEPLATE UPPER COVER,SATIN BLACK BA,WITHOUT STICKER	1	19.10	BA-K4
VZ125i	5	F14	65319T97BH00	FRONT FACEPLATE UPPER COVER,EXTRA BLACK BH,WITHOUT STICKER	1	19.10	RB
VZ125i	6	F14	B0109060206H	BOLT M6×20	2	0.60	
VZ125i	7	F14	65517J900001	HEADLIGHT BRACKET BUSH	2	2.00	
VZ125i	8	F14	65616L430000	RUBBER CUSHION	2	0.90	
VZ125i	9	F14	81100T970000	FRONT LEFT TURN SIGNAL LIGHT	1	117.00	
VZ125i	10	F14	81300T970000	FRONT RIGHT TURN SIGNAL LIGHT	1	117.00	
VZ125i	11	F14	80000T970010	HEADLIGHT	1	593.10	
VZ125i	12	F14	65309T970000	FRONT FACEPLATE UNDER DECORATE PLATE	1	6.40	
VZ125i	13	F14	B0507420160H	TAPPING SCREW ST4.2×16	8	0.30	
VZ125i	14	F14	65316T970000	LEFT CONNECT BOARD	1	9.30	
VZ125i	15	F14	65317T970000	RIGHT CONNECT BOARD	1	9.30	
VZ125i	16	F14	65305T970000	LEFT GRID	1	11.90	
VZ125i	17	F14	65306T970000	RIGHT GRID	1	11.90	
VZ125i	18	F14	65364T97001Z	LEFT DECORATIVE BOARD,SATIN BLACK BA,WITH STICKER	1	54.20	
VZ125i	18	F14	65364T97004Z	LEFT DECORATIVE BOARD,BLUE K4,WITH STICKER	1	54.20	
VZ125i	18	F14	65364T97003Z	LEFT DECORATIVE BOARD,RED RB,WITH STICKER	1	54.20	
VZ125i	19	F14	65365T97001Z	RIGHT DECORATIVE BOARD,SATIN BLACK BA,WITH STICKER	1	54.20	

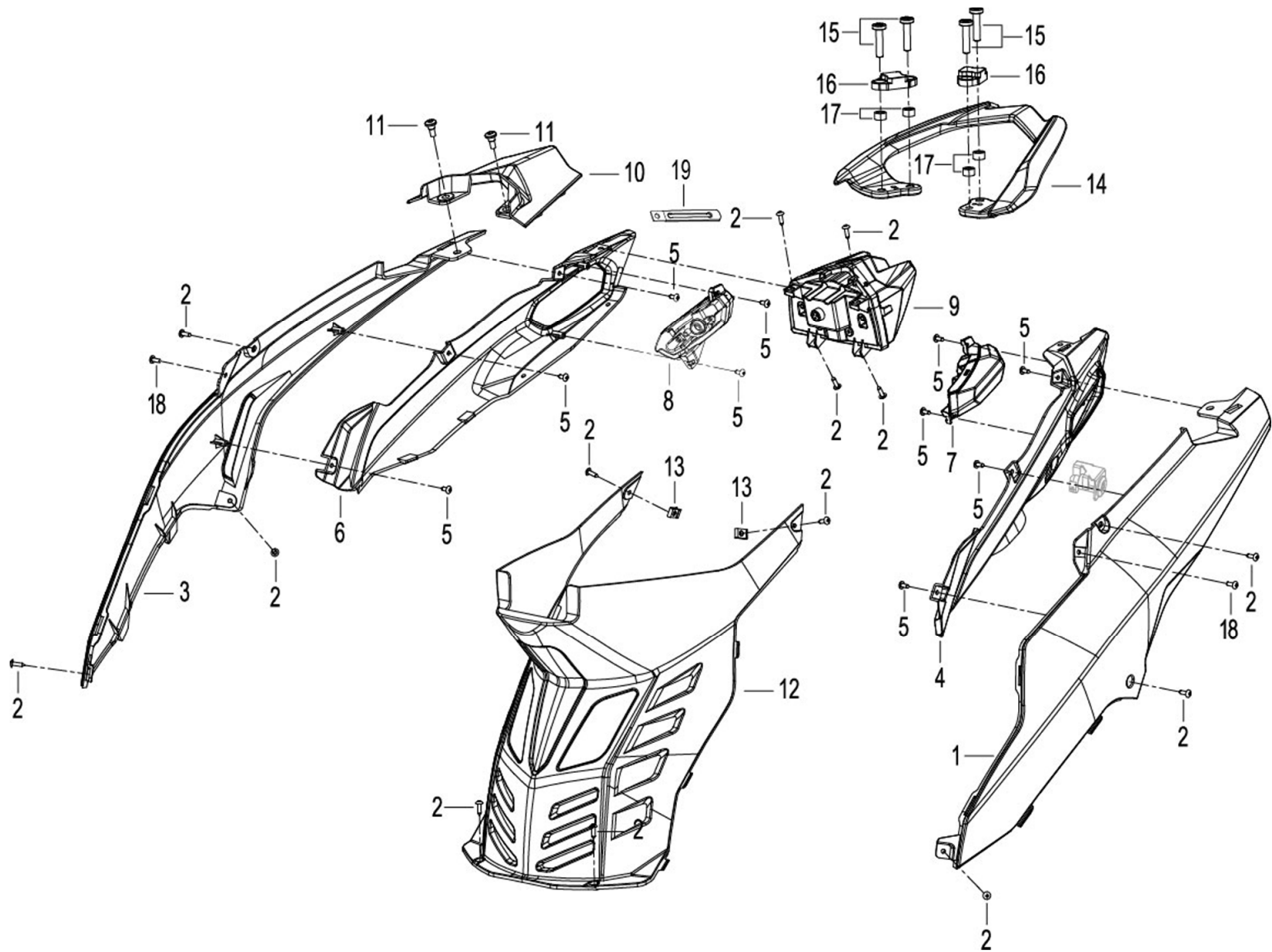
Model	NO.	Position No.	CODE	EN DESCRIPTION	Qty/Unit	price	NOTES
VZ125i	19	F14	65365T97004Z	RIGHT DECORATIVE BOARD,BLUE K4,WITH STICKER	1	54.20	
VZ125i	19	F14	65365T97003Z	RIGHT DECORATIVE BOARD,RED RB,WITH STICKER	1	54.20	
VZ125i	20	F14	65304T970000	INNER PROTECTIVE BOARD	1	18.00	
VZ125i	21	F14	B0109060126H	BOLT M6×12	4	0.40	
VZ125i	22	F14	65801T020201	INSERT ST4.2	2	0.30	
VZ125i	23	F14	B0507420160H	TAPPING SCREW ST4.2×16	8	0.30	

F15 脚防护板 FOOT PROTECTIVE SHIELD



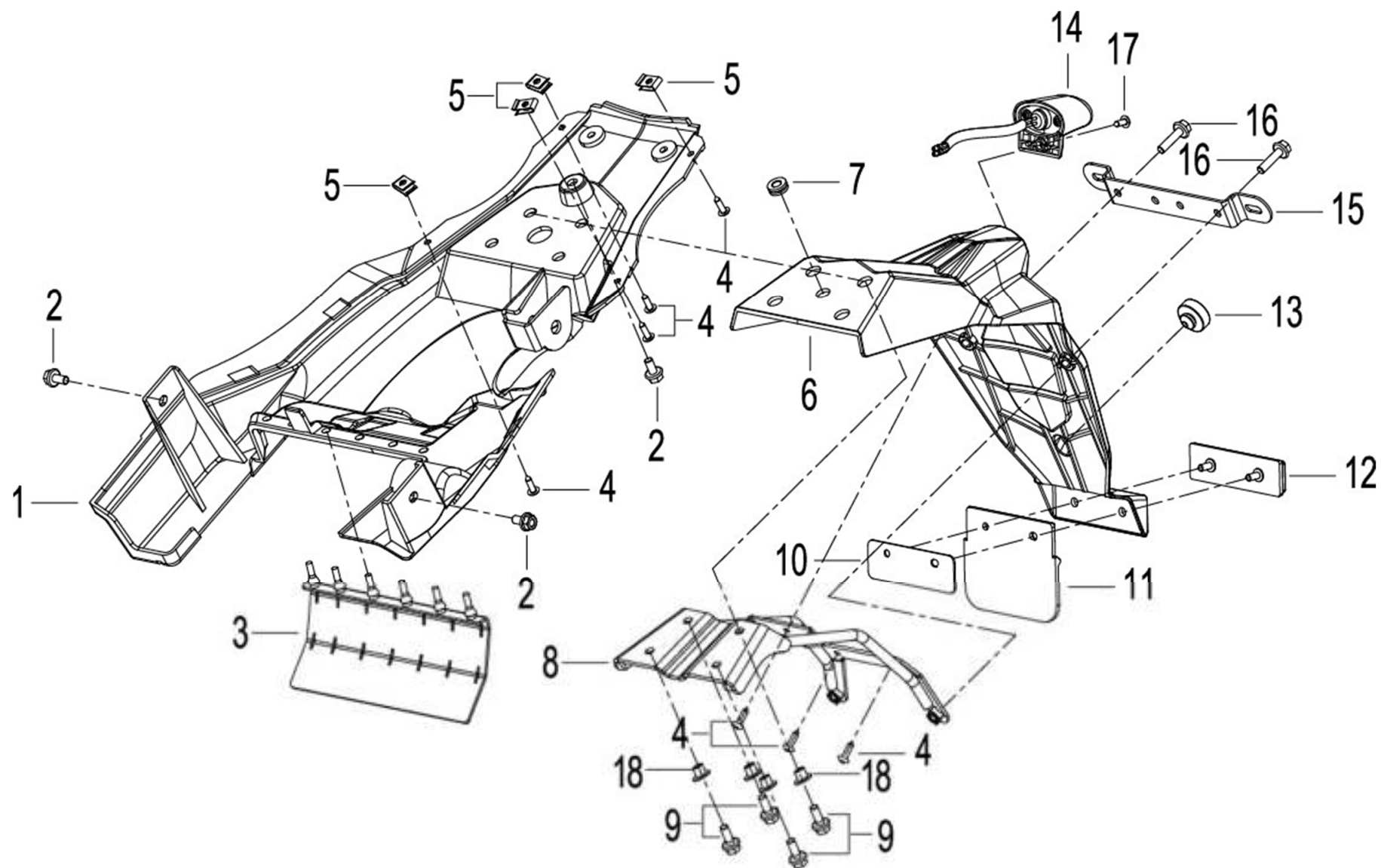
Model	NO.	Position No.	CODE	EN DESCRIPTION	Qty/Unit	price	NOTES
VZ125i	1	F15	65401T970000	FOOT PEDAL	1	31.00	
VZ125i	2	F15	65801T020201	INSERT ST4.2	12	0.30	
VZ125i	3	F15	08011H010200	BOLT 6×14MM	4	0.80	
VZ125i	4	F15	65408T97BA00	LEFT BEAD,SATIN BLACK BA	1	34.20	
VZ125i	5	F15	65409T97BA00	RIGHT BEAD,SATIN BLACK BA	1	38.70	
VZ125i	6	F15	B0507420160H	TAPPING SCREW ST4.2×16	14	0.30	
VZ125i	7	F15	65813T970000	BATTERY BOX COVER	1	4.30	
VZ125i	8	F15	B0507420130H	TAPPING SCREW ST4.2×13	12	0.30	
VZ125i	9	F15	65402T970000	FOOT PROTECTIVE BOARD	1	52.20	
VZ125i	10	F15	65404T970000	REAR PROTECTIVE BOARD	1	12.00	
VZ125i	11	F15	50912T090000	HELMET HOOK	1	0.50	
VZ125i	12	F15	58603J670100	BOLT M6×16	1	0.90	
VZ125i	13	F15	65436T490000	SPONGE MAT	1	0.50	

F16 护板 SIDE COVER ASSY.



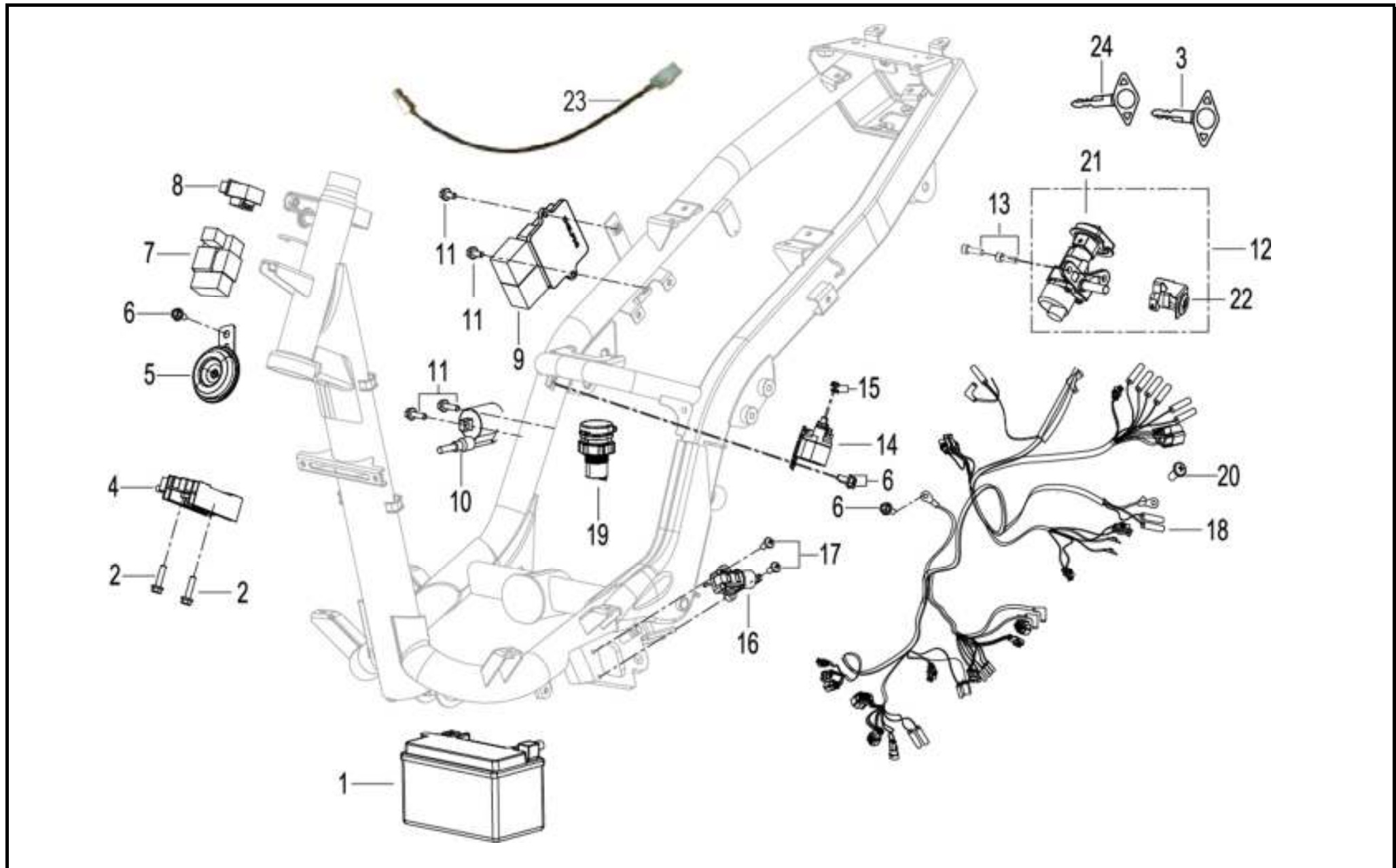
Model	NO.	Position No.	CODE	EN DESCRIPTION	Qty/Unit	price	NOTES
VZ125i	1	F16	65601T97001Z	LEFT SIDE COVER,SATIN BLACK BA,WITH STICKER	1	79.70	
VZ125i	1	F16	65601T97004Z	LEFT SIDE COVER,BLUE K4,WITH STICKER	1	79.70	
VZ125i	1	F16	65601T97003Z	LEFT SIDE COVER,RED RB,WITH STICKER	1	79.70	
VZ125i	2	F16	B0507420160H	TAPPING SCREW ST4.2×16	14	0.30	
VZ125i	3	F16	65602T97001Z	RIGHT SIDE COVER,SATIN BLACK BA,WITH STICKER	1	79.70	
VZ125i	3	F16	65602T97004Z	RIGHT SIDE COVER,BLUE K4,WITH STICKER	1	79.70	
VZ125i	3	F16	65602T97003Z	RIGHT SIDE COVER,RED RB,WITH STICKER	1	79.70	
VZ125i	4	F16	65603T970000	LOWER LEFT GUARD	1	11.90	
VZ125i	5	F16	B0507420130H	TAPPING SCREW ST4.2×13	10	0.30	
VZ125i	6	F16	65604T970000	LOWER RIGHT GUARD	1	11.90	
VZ125i	7	F16	81500T970000	REAR LEFT TURN SIGNAL	1	68.50	
VZ125i	8	F16	81700T970000	REAR RIGHT TURN SIGNAL LIGHT	1	68.50	
VZ125i	9	F16	82000T970000	TAIL LIGHT	1	173.60	
VZ125i	10	F16	65608T970000	SIDE COVER REAR CONNECT BOARD	1	1.10	
VZ125i	11	F16	58603J670100	BOLT M6×16	2	0.90	
VZ125i	12	F16	65605T970000	SIDE COVER FRONT CONNECT BOARD	1	13.20	
VZ125i	13	F16	65801T020201	INSERT ST4.2	2	0.30	
VZ125i	14	F16	52002V03BA00	GRAB RAIL	1	64.90	
VZ125i	15	F16	52019J800000	SCREW II M8×35	4	4.60	
VZ125i	16	F16	52006T970000	SUPPORT PAD	2	8.10	
VZ125i	17	F16	52009H390100	BUSH Φ14×Φ8×8	4	1.40	
VZ125i	18	F16	B0507420131H	TAPPING SCREW ST4.2×13	2	0.20	
VZ125i	19	F16	58430J000000	CLIP ASSY 81mm	1	1.60	

F17 后挡泥板 REAR FENDER



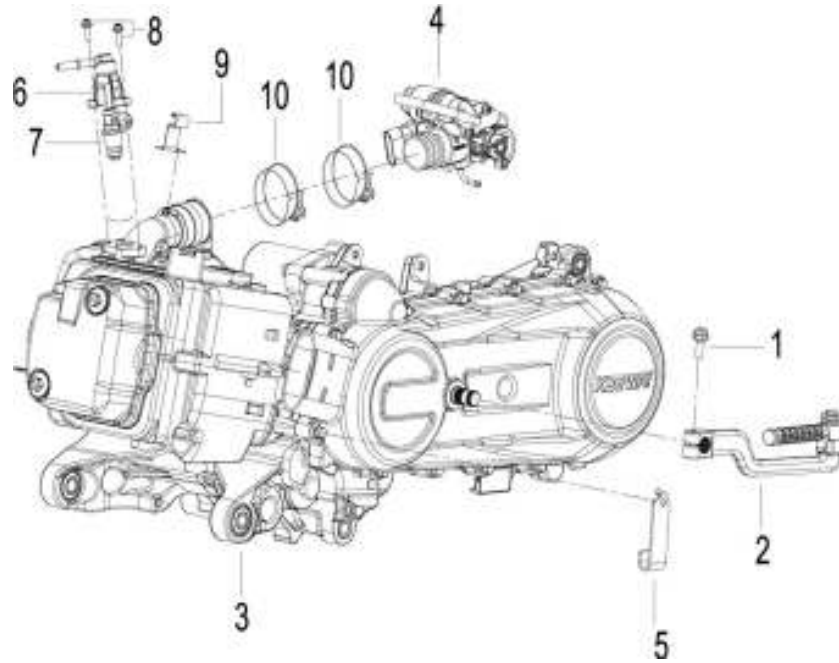
Model	NO.	Position No.	CODE	EN DESCRIPTION	Qty/Unit	price	NOTES
VZ125i	1	F17	65731T970000	REAR FENDER FRONT PART	1	18.70	
VZ125i	2	F17	B0109060126H	BOLT M6×12	3	0.40	
VZ125i	3	F17	65703T970001	MUD RUBBER	1	13.30	
VZ125i	4	F17	B0507420160H	TAPPING SCREW ST4.2×16	7	0.30	
VZ125i	5	F17	65801T020201	INSERT ST4.2	4	0.30	
VZ125i	6	F17	65701T970000	REAR FENDER	1	19.60	
VZ125i	7	F17	65616L430000	RUBBER CUSHION	1	0.90	
VZ125i	8	F17	65770T970000	REAR FENDER BRACKET	1	36.10	
VZ125i	9	F17	B0109060206H	BOLT M6×20	4	0.60	
VZ125i	10	F17	65717T970000	FIXING PLATE	1	8.10	
VZ125i	11	F17	65722T970000	MUD RUBBER	1	8.10	
VZ125i	12	F17	86500B720001	REAR REFECTOR	1	6.00	
VZ125i	13	F17	51103V030000	RUBBER PLUG	1	0.80	
VZ125i	14	F17	82500T480000	LAMP,LICENCE	1	9.50	
VZ125i	15	F17	08252V020000	REAR LICENSE FIXING PLATE	1	2.90	
VZ125i	16	F17	B0109060256H	BOLT M6×25	2	0.80	
VZ125i	17	F17	B0500420130H	TAPPING SCREW ST4.2×13	1	0.20	
VZ125i	18	F17	65517N100100	T BUSH	4	0.90	

F18 电器 ELECTRICAL EQUIPMENT ASSY.



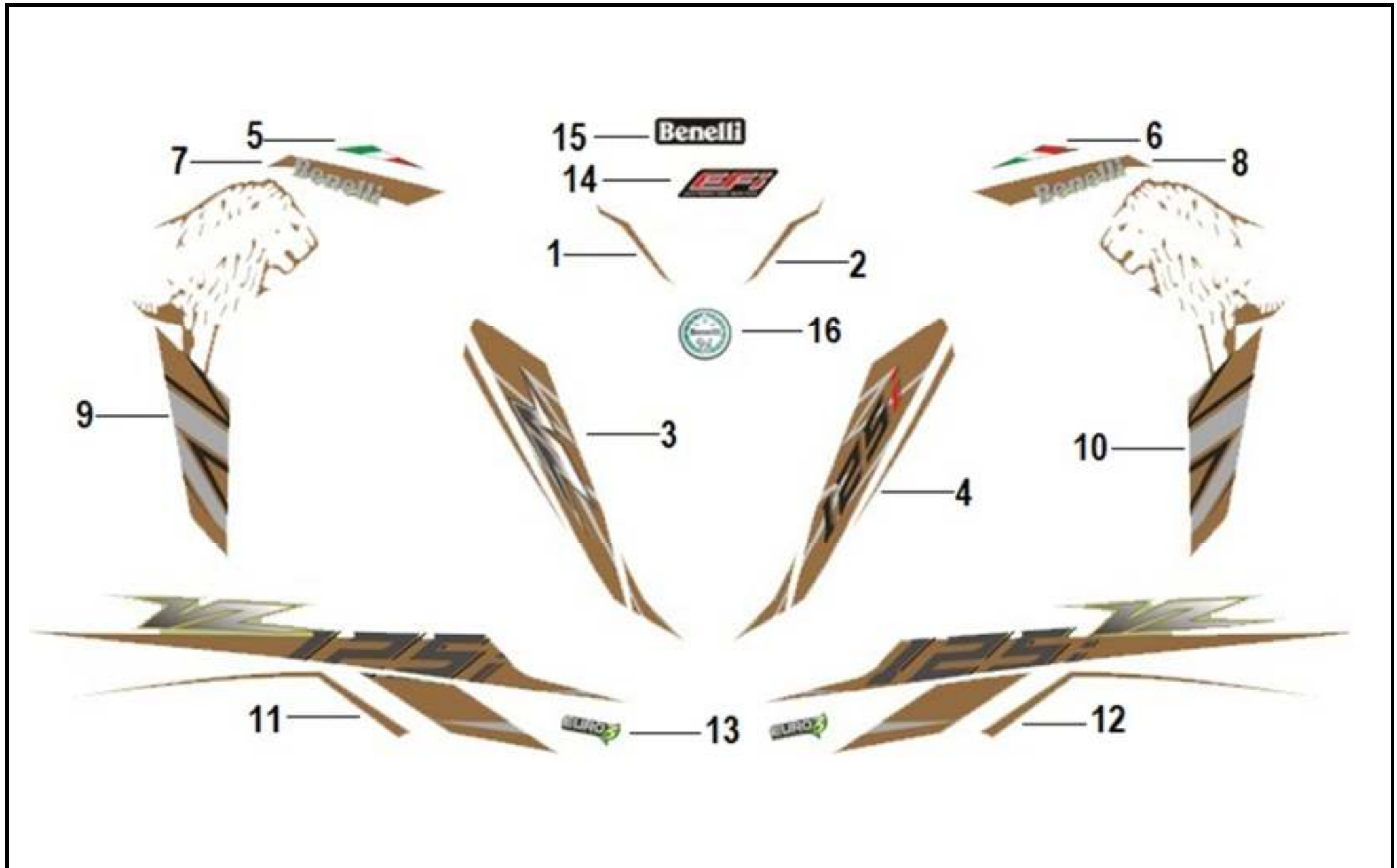
Model	NO.	Position No.	CODE	EN DESCRIPTION	Qty/Unit	price	NOTES
VZ125i	1	F18	AC-YTX7A-BS(HW)	BATTERY YTX7A-BS (HW)	1	126.00	
VZ125i	2	F18	B0109060256H	BOLT M6×25	2	0.80	
VZ125i	3	F18	88900V50090X	KEY NUT,LEFT	1	TBA	
VZ125i	4	F18	299064010000	RECTIFIER	1	88.00	
VZ125i	5	F18	95100G120001	HORN	1	14.40	
VZ125i	6	F18	B0109060126H	BOLT M6×12	4	0.40	
VZ125i	7	F18	94400T800000	HEADLIGHT RELAY CONTROLLER	1	82.20	
VZ125i	8	F18	96400T960000	FLASHER	1	58.20	
VZ125i	9	F18	96C00N120902	ECU	1	595.20	
VZ125i	10	F18	96200H460000	IGNITION COIL	1	48.60	
VZ125i	11	F18	B0109060166H	BOLT M6×16	4	0.40	
VZ125i	12	F18	88000V500101	LOCK ASSY,mark:Benelli	1	88.40	
VZ125i	13	F18	B0207060202H	SCREW M6×20	2	0.40	
VZ125i	14	F18	94100J000002	STARTER RELAY	1	29.80	
VZ125i	15	F18	B0700000060H	SPRING WASHER 6	2	0.30	
VZ125i	16	F18	95800N140000	SINGLE FLAMEOUT SWITCH	1	39.30	
VZ125i	17	F18	B0205050166H	SCREW 5×16MM	2	0.20	
VZ125i	18	F18	92000T970000	MAIN WIRE HARNESS	1	491.90	
VZ125i	19	F18	92950H380000	USB ASSY.	1	35.20	
VZ125i	20	F18	B1301050140H	SCREW WASHER M5×14	1	0.20	
VZ125i	21	F18	88100V500000	POWER LOCK	1	-	
VZ125i	22	F18	88500D010003	SEATLOCK ASSY	1	-	
VZ125i	23	F18	280013320000	TEMPRETURE SENSOR	1	50.20	
VZ125i	24	F18	88900V50091X	KEY NUT,RIGHT	1	TBA	

F19 发动机附件 ENGINE ATTACHMENT



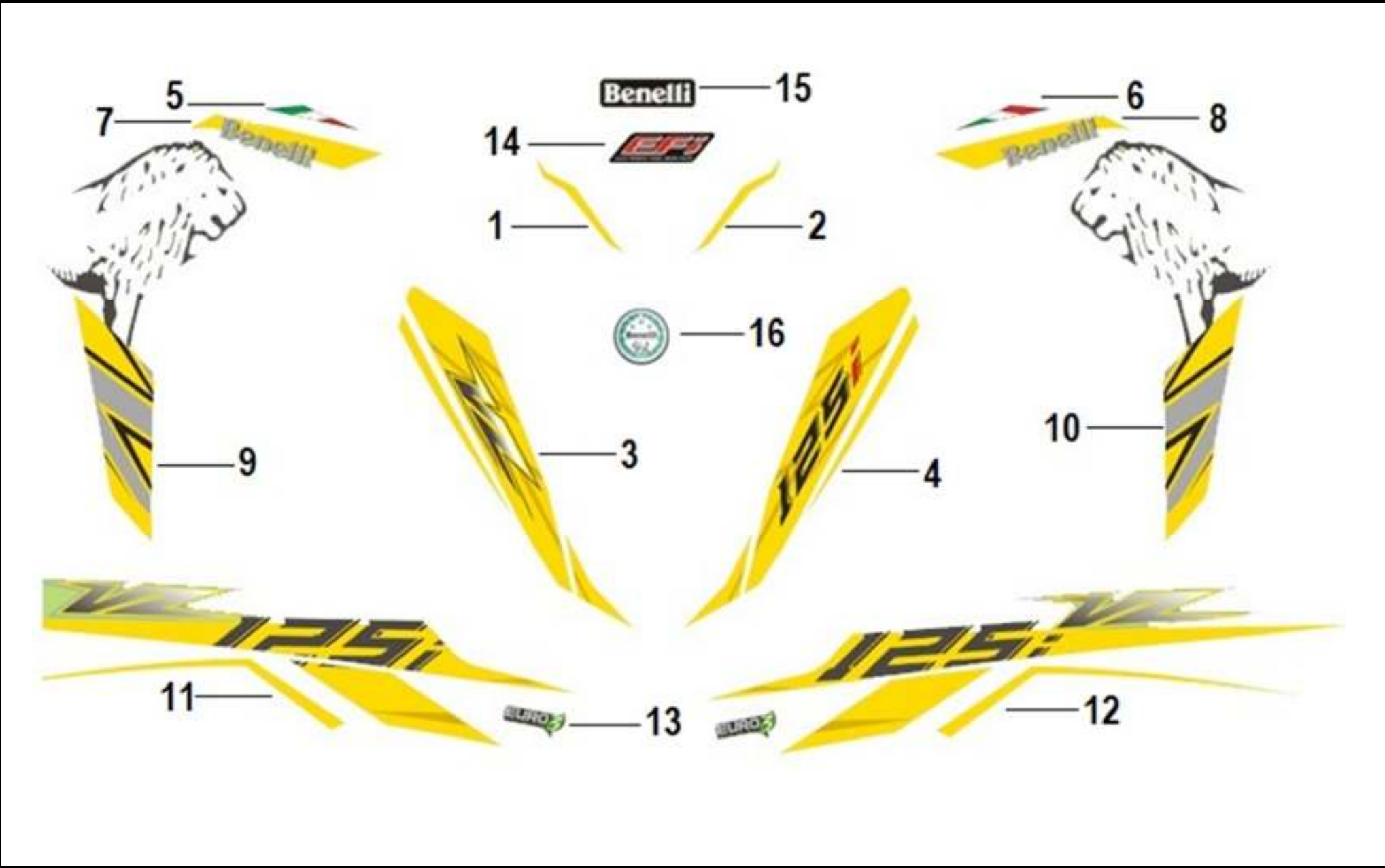
Model	NO.	Position No.	CODE	EN DESCRIPTION	Qty/Unit	price	NOTES
VZ125i	1	F19	B0109080256H	BOLT M8×25	1	1.00	
VZ125i	2	F19	08350G510000	START ROD	1	22.00	
VZ125i	4	F19	289005320010	THROTTLE BODY ASSY	1	390.30	
VZ125i	5	F19	57012T970000	REAR BRAKE CLAMP I	1	1.20	
VZ125i	6	F19	289043470000	INJECTION HOUSING	1	2.50	
VZ125i	7	F19	100073210000	FUEL INJECTOR	1	206.60	
VZ125i	8	F19	B1308040160H	SCREW W/WASHER M4×16	2	0.20	
VZ125i	9	F19	57041T970000	HOSE HODLER	1	8.10	
VZ125i	10	F19	49350J890000	CLAMP ASSY	2	1.40	

F21 STICKER(FOR SATIN BLACK BA)



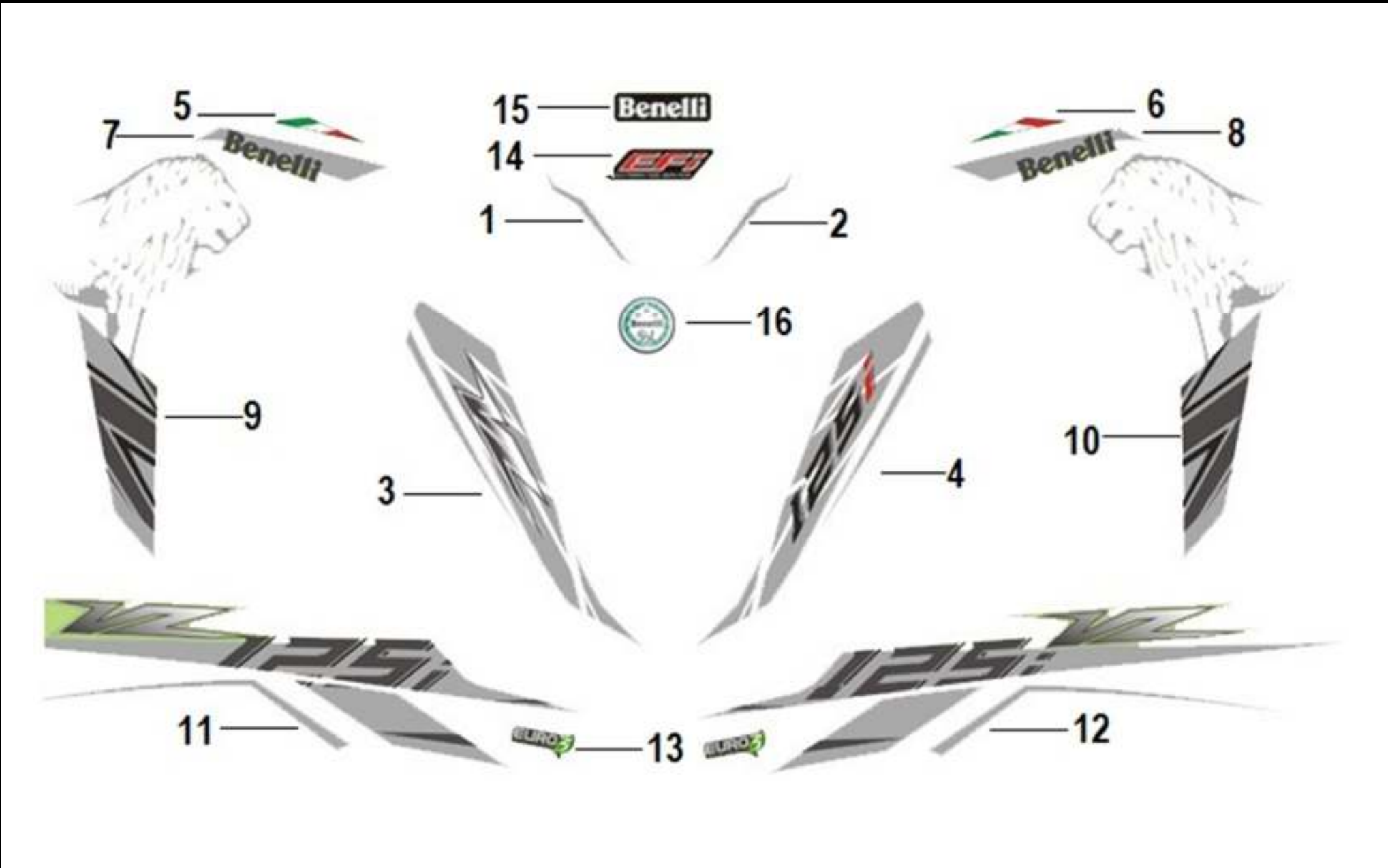
Model	NO.	Position No.	CODE	EN DESCRIPTION	Qty/Unit	price	NOTES
VZ125i	1	F21	05504T97BA00	RIGHT STICKER,FRONT HANDLE COVER	1	1.20	satın black
VZ125i	2	F21	05503T97BA00	LEFT STICKER,FRONT HANDLE COVER	1	1.20	satın black
VZ125i	3	F21	05522T97BA00	RIGHT STICKER,FRONT FACEPLATE	1	1.30	satın black
VZ125i	4	F21	05521T97BA00	LEFT STICKER,FRONT FACEPLATE	1	1.30	satın black
VZ125i	5	F21	05526T97LP00	RIGHT STICKER I	1	7.50	
VZ125i	6	F21	05523T97LP00	LEFT STICKER I	1	7.50	
VZ125i	7	F21	05527T97BA00	RIGHT STICKER II	1	4.10	satın black
VZ125i	8	F21	05524T97BA00	LEFT STICKER II	1	4.10	satın black
VZ125i	9	F21	05528T97BA00	RIGHT STICKER III	1	4.10	satın black
VZ125i	10	F21	05525T97BA00	LEFT STICKER III	1	4.10	satın black
VZ125i	11	F21	05514T97BA00	RIGHT STICKER II,LEFT SIDE COVER	1	4.10	satın black
VZ125i	12	F21	05513T97BA00	LEFT STICKER II,LEFT SIDE COVER	1	4.10	satın black
VZ125i	13	F21	05512L17BC0C	STICKER II,SIDE COVER	2	6.90	satın black
VZ125i	14	F21	05501T970000	EFI LABEL	1	4.10	
VZ125i	15	F21	05502T970000	BENELLI LABEL	1	6.10	
VZ125i	16	F21	05521B450000	BENELLI LABEL	1	19.00	

F22 STICKER(FOR BLUE K4)



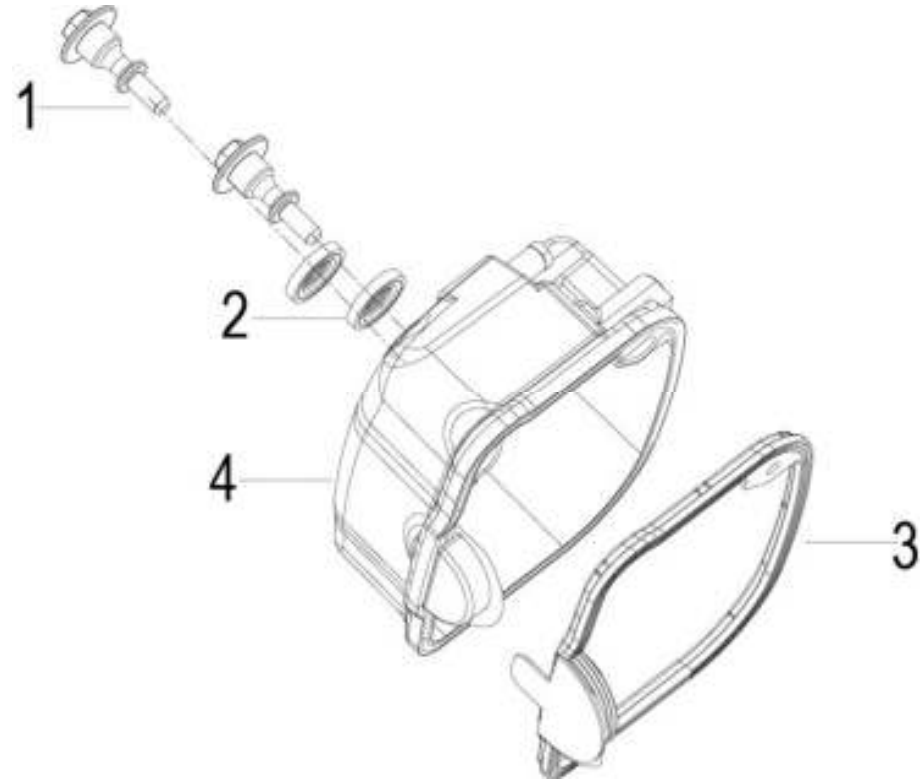
Model	NO.	Position No.	CODE	EN DESCRIPTION	Qty/Unit	price	NOTES
VZ125i	1	F22	05504T97LP00	RIGHT STICKER,FRONT HANDLE COVER	1	1.20	blue
VZ125i	2	F22	05503T97LP00	LEFT STICKER,FRONT HANDLE COVER	1	1.20	blue
VZ125i	3	F22	05522T97LP00	RIGHT STICKER,FRONT FACEPLATE	1	1.30	blue
VZ125i	4	F22	05521T97LP00	LEFT STICKER,FRONT FACEPLATE	1	1.30	blue
VZ125i	5	F22	05526T97LP00	RIGHT STICKER I	1	7.50	
VZ125i	6	F22	05523T97LP00	LEFT STICKER I	1	7.50	
VZ125i	7	F22	05527T97LP00	RIGHT STICKER II	1	4.10	blue
VZ125i	8	F22	05524T97LP00	LEFT STICKER II	1	4.10	blue
VZ125i	9	F22	05528T97LP00	RIGHT STICKER III	1	4.10	blue
VZ125i	10	F22	05525T97LP00	LEFT STICKER III	1	4.10	blue
VZ125i	11	F22	05514T97LP00	RIGHT STICKER II,LEFT SIDE COVER	1	4.10	blue
VZ125i	12	F22	05513T97LP00	LEFT STICKER II,LEFT SIDE COVER	1	4.10	blue
VZ125i	13	F22	05512L17BC0C	STICKER II,SIDE COVER	2	6.90	blue
VZ125i	14	F22	05501T970000	EFI LABEL	1	4.10	
VZ125i	15	F22	05502T970000	BENELLI LABEL	1	6.10	
VZ125i	16	F22	05521B450000	BENELLI LABEL	1	19.00	

F23 STICKER(FOR RED RB)



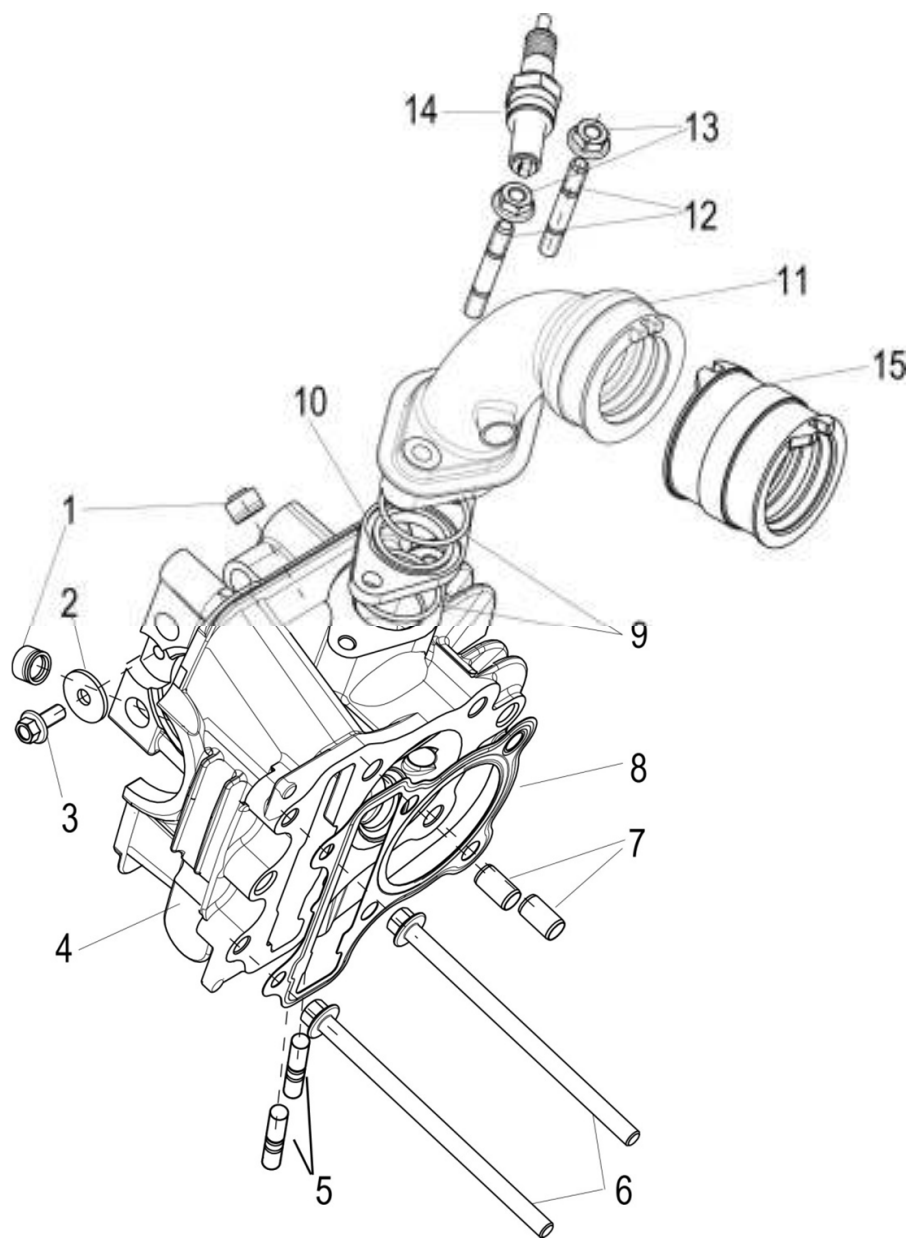
Model	NO.	Position No.	CODE	EN DESCRIPTION	Qty/Unit	price	NOTES
VZ125i	1	F23	05504T97RB00	RIGHT STICKER,FRONT HANDLE COVER	1	1.20	red
VZ125i	2	F23	05503T97RB00	LEFT STICKER,FRONT HANDLE COVER	1	1.20	red
VZ125i	3	F23	05522T97RB00	RIGHT STICKER,FRONT FACEPLATE	1	1.30	red
VZ125i	4	F23	05521T97RB00	LEFT STICKER,FRONT FACEPLATE	1	1.30	red
VZ125i	5	F23	05526T97LP00	RIGHT STICKER I	1	7.50	
VZ125i	6	F23	05523T97LP00	LEFT STICKER I	1	7.50	
VZ125i	7	F23	05527T97RB00	RIGHT STICKER II	1	4.10	red
VZ125i	8	F23	05524T97RB00	LEFT STICKER II	1	4.10	red
VZ125i	9	F23	05528T97RB00	RIGHT STICKER III	1	4.10	red
VZ125i	10	F23	05525T97RB00	LEFT STICKER III	1	4.10	red
VZ125i	11	F23	05514T97RB00	RIGHT STICKER II,LEFT SIDE COVER	1	4.10	red
VZ125i	12	F23	05513T97RB00	LEFT STICKER II,LEFT SIDE COVER	1	4.10	red
VZ125i	13	F23	05512L17BC0C	STICKER II,SIDE COVER	2	6.90	
VZ125i	14	F23	05501T970000	EFI LABEL	1	4.10	
VZ125i	15	F23	05502T970000	BENELLI LABEL	1	6.10	
VZ125i	16	F23	05521B450000	BENELLI LABEL	1	19.00	

E01 CYLINDER HEAD COVER ASSEMBLY(气缸盖罩分总成)



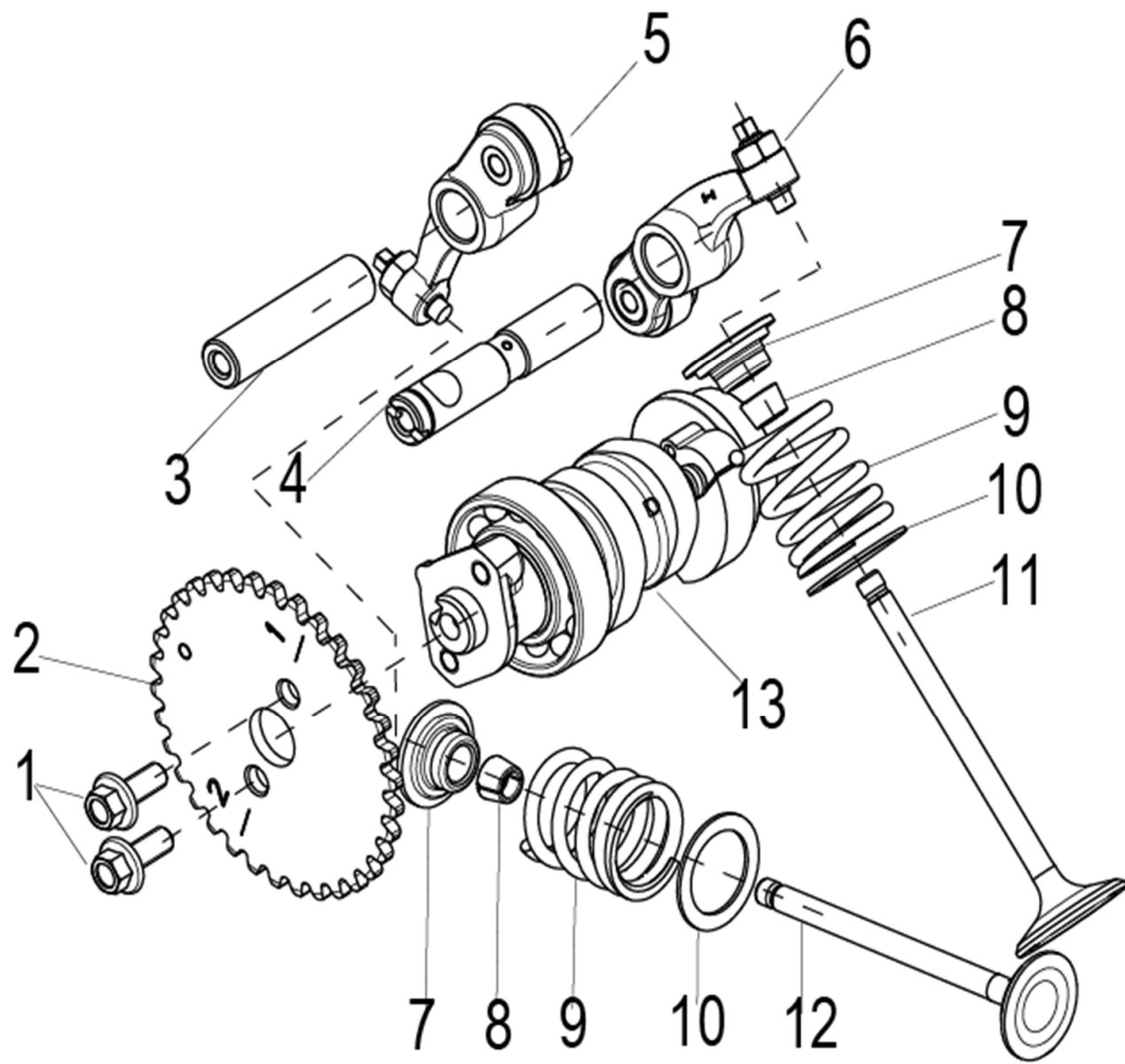
Model	NO.	Position No.	CODE	EN DESCRIPTION	Qty/Unit	price	NOTES
VZ125i	1	E01	100073370000	CONNECT BOLT	2	3.30	
VZ125i	2	E01	100035010000	WASHER	2	2.00	
VZ125i	3	E01	109023540010	SEAL STRIP,CYLINDER HEAD COVER	1	28.40	
VZ125i	4	E01	10972354001X	CYLINDER HEAD COVER	1	35.50	

E02 CYLINDER HEAD ASSEMBLY(气缸盖分总成)



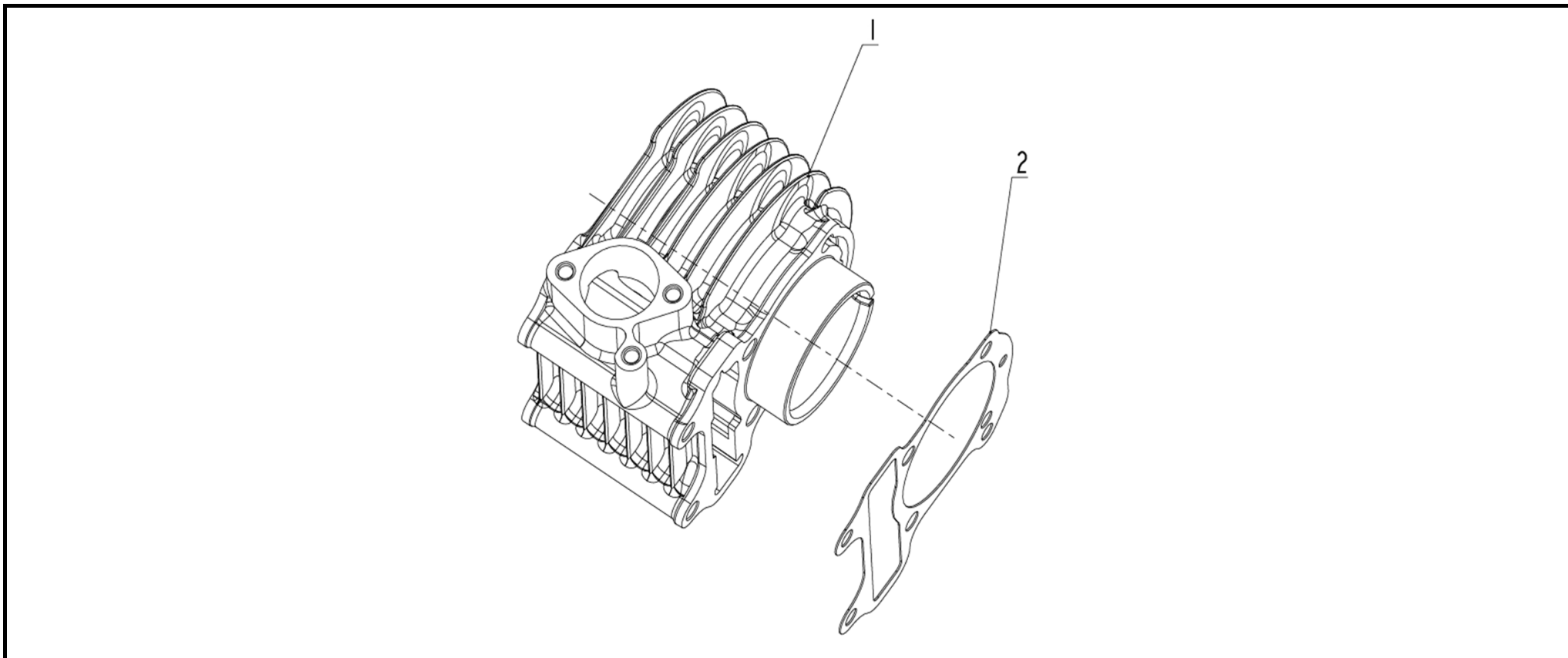
Model	NO.	Position No.	CODE	EN DESCRIPTION	Qty/Unit	price	NOTES
VZ125i	1	E02	120013050000	OIL SEAL,VALVE	2	2.60	
VZ125i	2	E02	100113540000	GASKET8 5.5×18×1.6	1	0.20	
VZ125i	3	E02	B0107050126H	BOLT M5X12	1	0.40	
VZ125i	4	E02	109053570000	CYLINDER HEAD	1	269.50	
VZ125i	5	E02	100493070H00	STUD BOLT	2	0.90	
VZ125i	6	E02	B0107061006H	BOLT M6X100	2	1.40	
VZ125i	7	E02	130052140000	PIN Φ8X14	2	0.30	
VZ125i	8	E02	109073570000	CYLINDER HEAD GASKET	1	7.00	
VZ125i	9	E02	110013540000	O-RING 27X1.8	2	1.40	
VZ125i	10	E02	119093540000	GASKET	1	1.10	
VZ125i	11	E02	119013540010	INTAKE PIPE	1	23.50	
VZ125i	12	E02	100075040010	STUD BOLT M6X48	2	1.00	
VZ125i	13	E02	B0407060005H	NUT M6	2	0.30	
VZ125i	14	E02	299073090002	SPARK PLUG B7RTC	1	19.50	
VZ125i	15	E02	110023540000	RUBBER PIPE	1	8.80	

E03 VALVE MECHANISM SUB-ASSEMBLY(配气机构分总成)



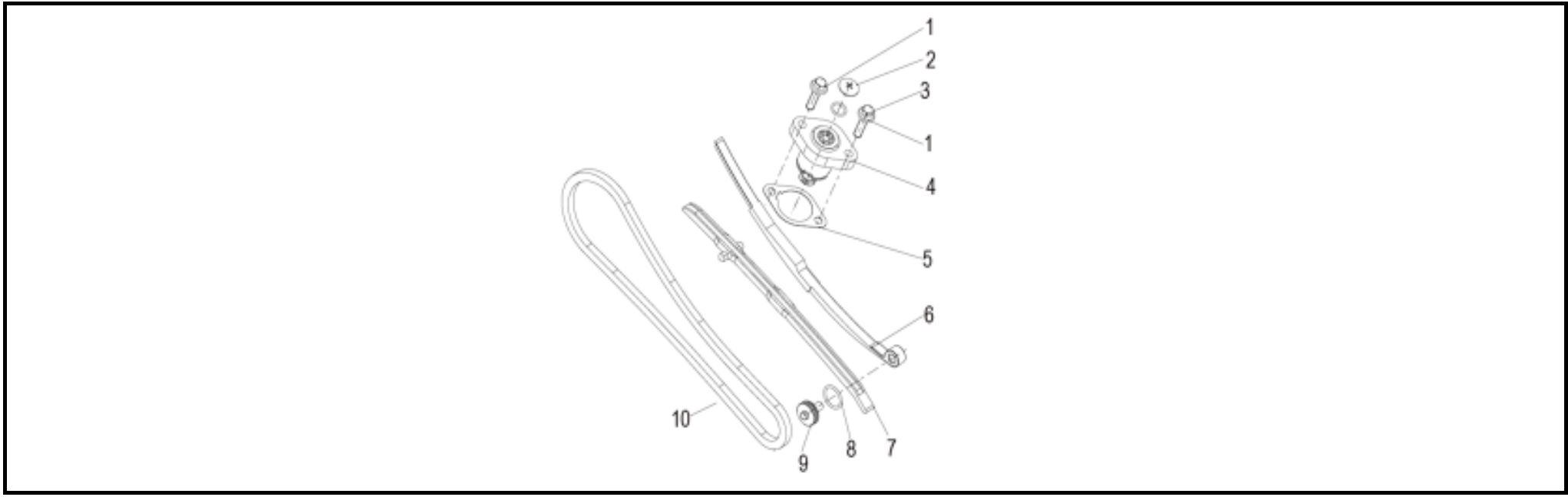
Model	NO.	Position No.	CODE	EN DESCRIPTION	Qty/Unit	price	NOTES
VZ125i	1	E03	B01070501289	BOLT M5X12	2	0.30	
VZ125i	2	E03	129033540000	SPROCKET,DRIVEN,TIMING	1	11.00	
VZ125i	3	E03	129173540000	EXHAUST WAYSHAFT	1	3.50	
VZ125i	4	E03	129163540000	INTAKE WAYSHAFT	1	4.50	
VZ125i	5	E03	120023540010	EXHAUST VALVE ROCKER	1	34.30	
VZ125i	6	E03	120013540010	INTAKE VALVE ROCKER	1	33.60	
VZ125i	7	E03	129213060000	INTAKE ROCKER SHAFT	2	2.30	
VZ125i	8	E03	129223230000	PUNCH HEEL VALVE	4	2.20	
VZ125i	9	E03	129253540000	SPRING	2	2.70	
VZ125i	10	E03	120023050020	SEAT,SPRING	2	0.20	
VZ125i	11	E03	129183570000	INTAKE CHAIN WHEEL	1	12.10	
VZ125i	12	E03	129193570000	EXHAUST CHAIN WHEEL	1	18.20	
VZ125i	13	E03	129093540010	CAMSHAFT COMPONENTS	1	150.50	

E04 CYLINDER BLOCK ASSEMBLY (气缸体总成)



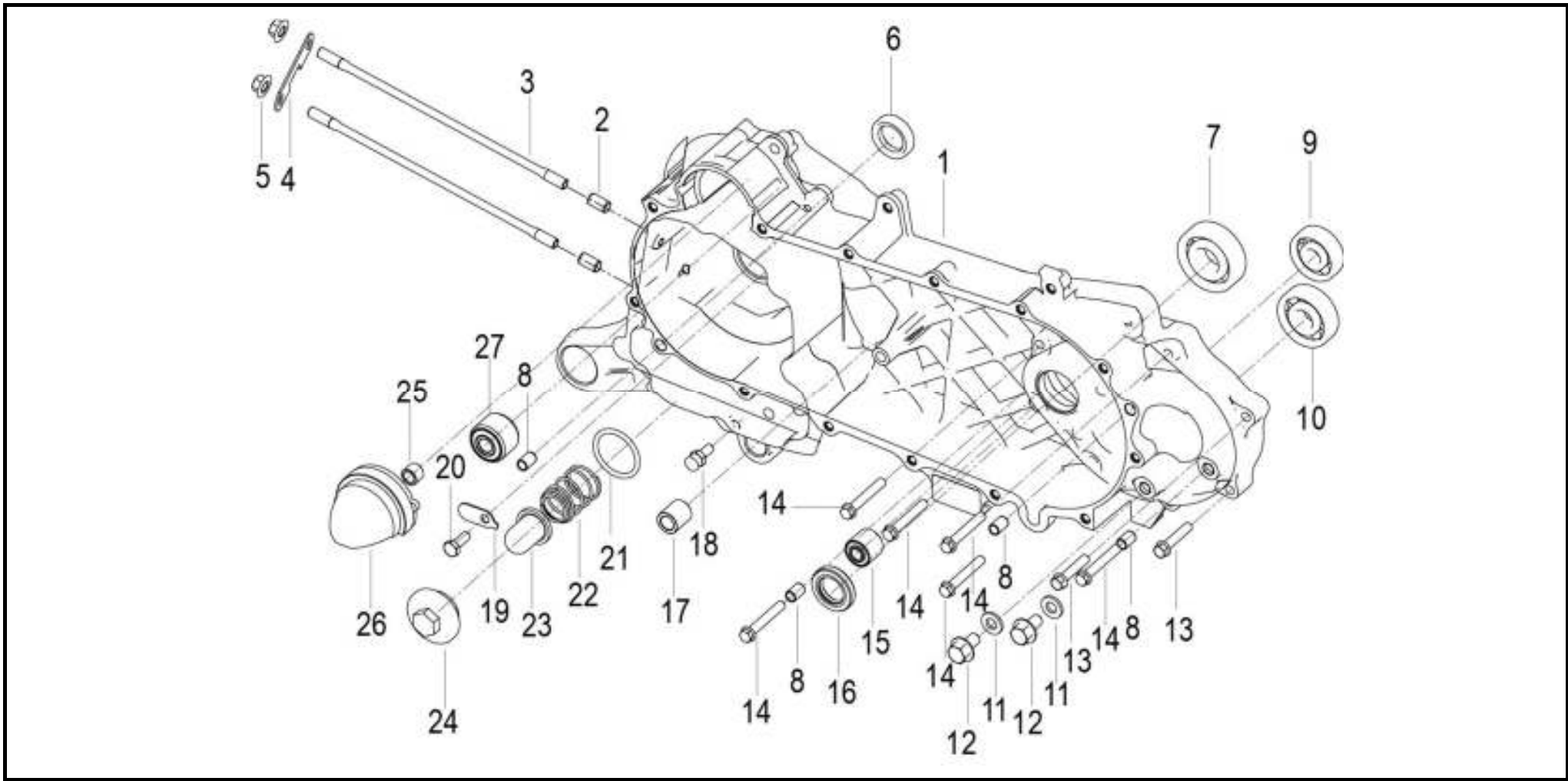
Model	NO.	Position No.	CODE	EN DESCRIPTION	Qty/Unit	price	NOTES
VZ125i	1	E04	139013570010	CYLINDER BLOCK ASSEMBLY	1	118.20	
VZ125i	2	E04	139023540000	CYLINDER BLOCK GASKET	1	2.60	

E05 STRAINER UNIT ASSEMBLY(正时传动机构分总成)



Model	NO.	Position No.	CODE	EN DESCRIPTION	Qty/Unit	price	NOTES
VZ125i	1	E05	B0107060226H	BOLT M6X22	2	0.50	
VZ125i	2	E05	14005305001X	LOCKED NAILS	1	1.10	
VZ125i	3	E05	210043050000	O-RING	1	1.40	
VZ125i	4	E05	149033140010	TENSIONOR	1	32.50	
VZ125i	5	E05	140013050040	ADJUSTMENT GASKET	1	1.10	
VZ125i	6	E05	149013540000	TENSIONOR GUAID	1	17.20	
VZ125i	7	E05	149023540000	FIX GUAID	1	8.20	
VZ125i	8	E05	B190101500A0	O-RING	1	0.40	
VZ125i	9	E05	149103540000	CRAMP PIN	1	4.90	
VZ125i	10	E05	140073050010	CHAIN	1	36.50	

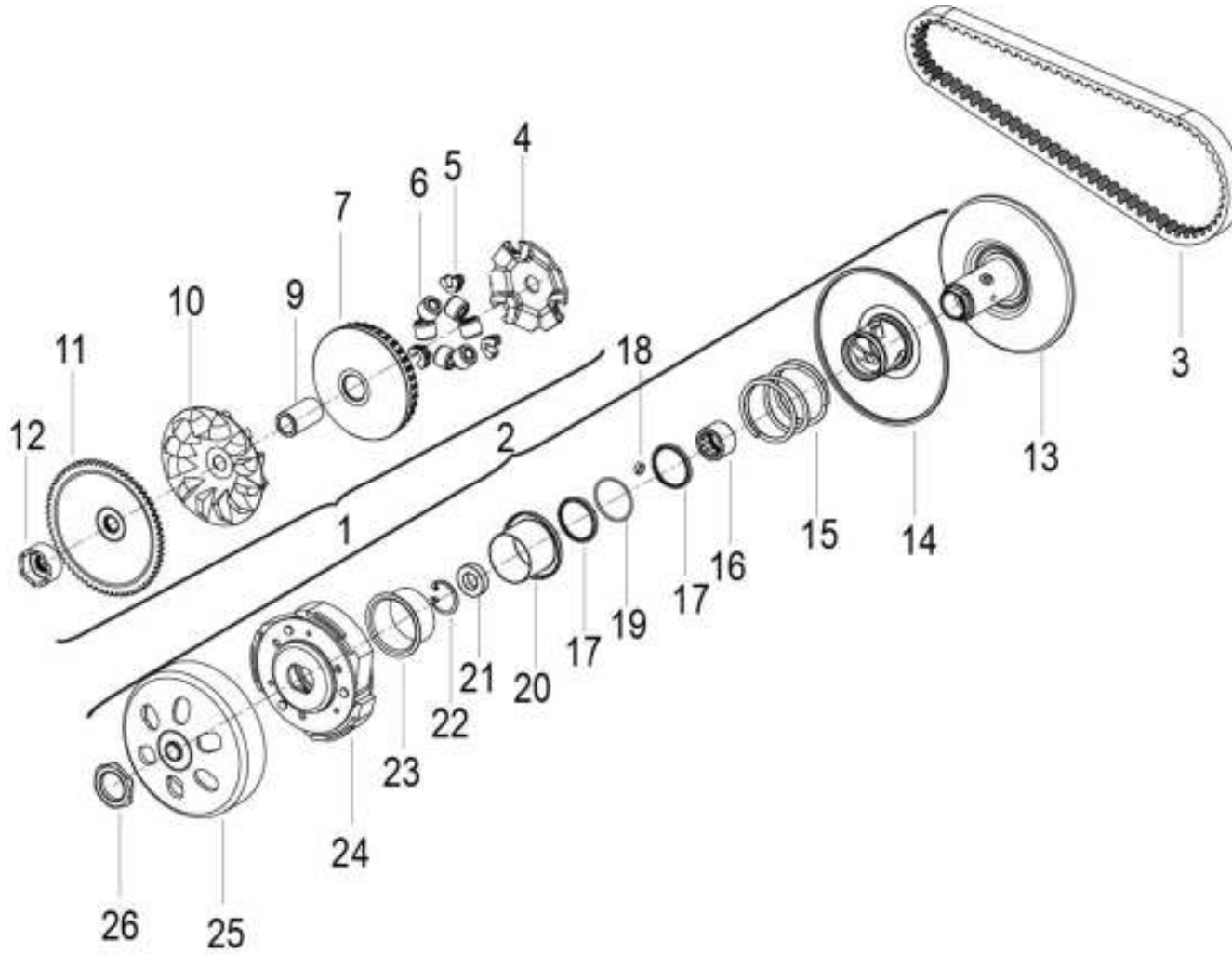
E06 LEFT CRANKCASE ASSEMBLY POINTS(左曲轴箱分总成)



Model	NO.	Position No.	CODE	EN DESCRIPTION	Qty/Unit	price	NOTES
VZ125i	1	E06	150023610000	LEFT CASE COMPONENT	1	288.50	
VZ125i	2	E06	130052140000	PIN DOWEL	2	0.30	
VZ125i	3	E06	159103540000	DOUDLE BOLT	2	4.10	

Model	NO.	Position No.	CODE	EN DESCRIPTION	Qty/Unit	price	NOTES
VZ125i	4	E06	10013354001X	WASHER	1	0.40	
VZ125i	5	E06	27007208011X	NUT M7×1	2	0.90	
VZ125i	6	E06	160013060000	OIL SEAL	1	7.80	
VZ125i	7	E06	B12016020412	BEARING	1	27.50	
VZ125i	8	E06	150022140000	PIN 8×12	4	0.30	
VZ125i	9	E06	B12016030101	BEARINGS	1	9.90	
VZ125i	10	E06	B12016030203	BEARINGS	1	13.50	
VZ125i	11	E06	210013050000	WASHER	2	0.20	
VZ125i	12	E06	B0107080156H	BOLT M8×15	2	0.90	
VZ125i	13	E06	B0107060406H	BOLT M6×40	2	0.80	
VZ125i	14	E06	B0107060406H	BOLT M6×40	6	0.80	
VZ125i	15	E06	150093160000	AFTER THE SHOCK ABSORBER FIXED BUSHING COMPONENTS	1	6.00	
VZ125i	16	E06	220073050000	THE CRANKSHAFT SEALS	1	5.40	
VZ125i	17	E06	150043370000	BUSHING	1	2.50	
VZ125i	18	E06	150043610000	BOLT	1	1.20	
VZ125i	19	E06	150073370000	BINDER PLATE	1	0.20	
VZ125i	20	E06	B0103060166H	BOLT M6×16	1	0.30	
VZ125i	21	E06	160023050000	TYPE O RUBBER RING	1	0.40	
VZ125i	22	E06	160013050000	SCREEN OIL FILTER	1	0.30	
VZ125i	23	E06	150093070000	OIL FILTER ASSY	1	1.90	
VZ125i	24	E06	16004305001X	CAP VALVE	1	2.70	
VZ125i	25	E06	160011210000	STARTER BUSHING	1	1.60	
VZ125i	26	E06	150103370000	STARTING ADAPTER COVER COMPONENTS	1	8.00	
VZ125i	27	E06	150123050000	BEFORE INSTALLATION. ELASTIC	1	4.70	

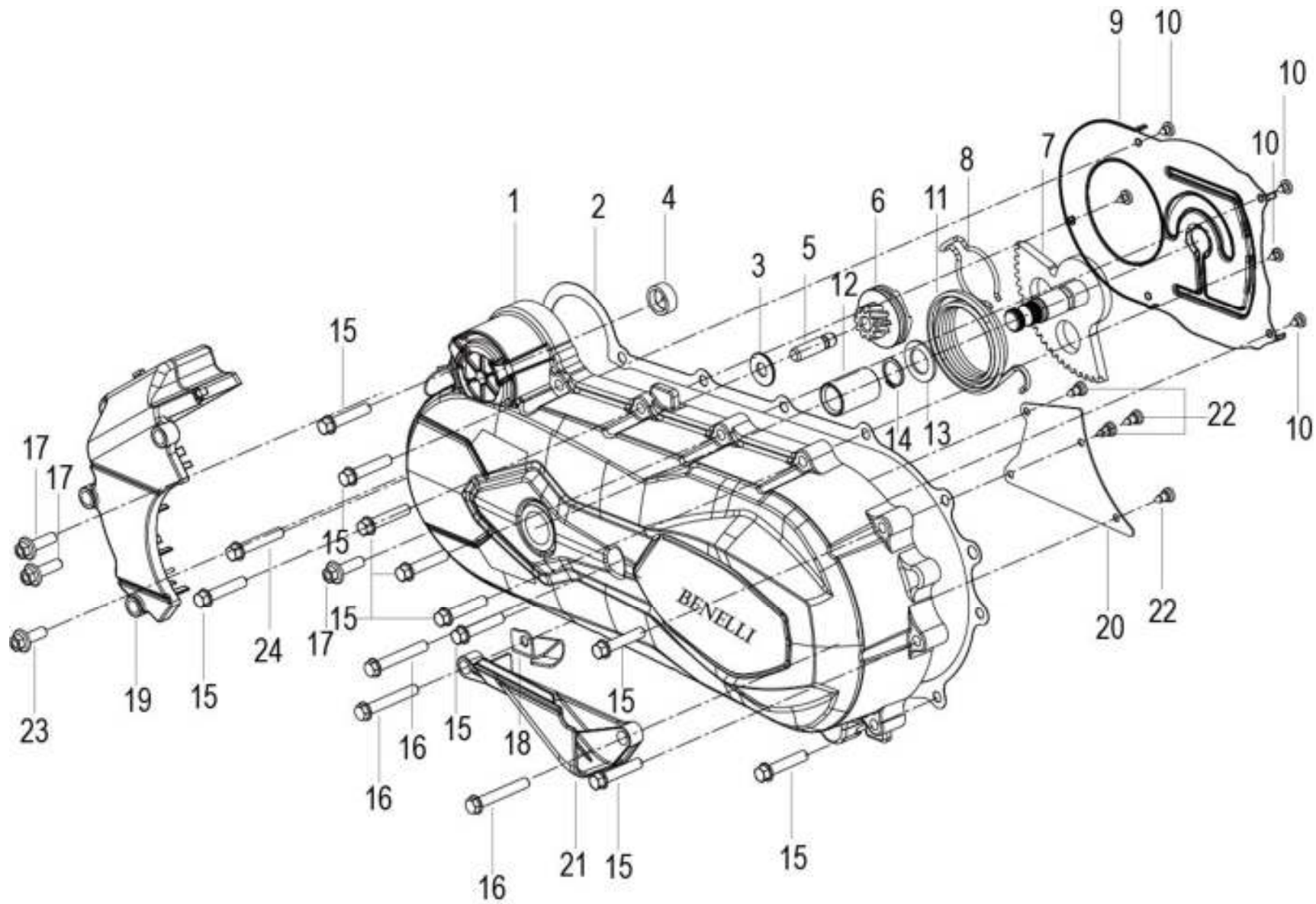
E07 CLUTCH SYSTEM(离合器分总成)



Model	NO.	Position No.	CODE	EN DESCRIPTION	Qty/Unit	price	NOTES
VZ125i	1	E07	209003610030	BEFORE THE CLUTCH ASSEMBLY,13G	1	151.40	

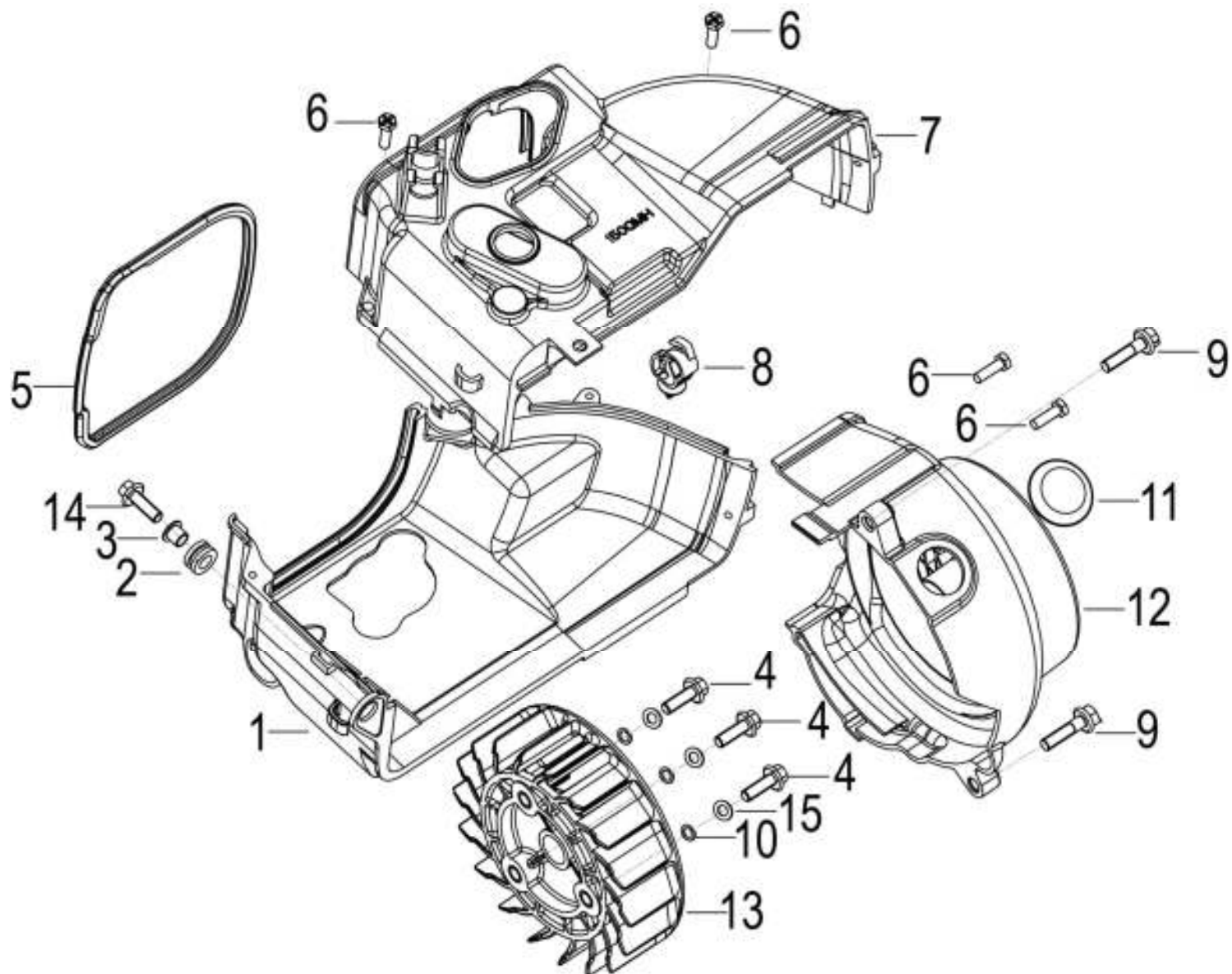
Model	NO.	Position No.	CODE	EN DESCRIPTION	Qty/Unit	price	NOTES
VZ125i	2	E07	209023540020	AFTER THE CLUTCH ASSEMBLY	1	503.50	
VZ125i	3	E07	200123370000	LEATHER BELT	1	42.40	
VZ125i	4	E07	200053540000	CLUTCH PLATEN	1	8.80	
VZ125i	5	E07	200073540000	BUFFER BLOCK	3	0.90	
VZ125i	6	E07	200033370000	CLUTCH, ROLLER WHEEL,13G	6	4.90	
VZ125i	7	E07	200063540000	ACTIVE FRICTION DISC	1	28.90	
VZ125i	9	E07	200083610010	BUSHING	1	14.10	
VZ125i	10	E07	200103610000	CLUTCH LEFT PAN	1	45.30	
VZ125i	11	E07	200023540000	FAN BLADE	1	8.00	
VZ125i	12	E07	200033540000	STARTING PAWL	1	14.10	
VZ125i	13	E07	200163540010	FACE SET, DRIVEN	1	100.90	
VZ125i	14	E07	200193540010	FACE, MOVABLE DRIVEN	1	40.70	
VZ125i	15	E07	200233540000	SPRING	1	14.10	
VZ125i	16	E07	B1212K201801	ROLLING BEARINGS	1	6.10	
VZ125i	17	E07	200293540000	OIL SEAL	2	6.00	
VZ125i	18	E07	200263540010	SLIDING BEARING	3	0.60	
VZ125i	19	E07	200103050000	O RING	1	0.30	
VZ125i	20	E07	200223540010	SHEET	1	6.60	
VZ125i	21	E07	B12016090200	ROLLING BEARINGS	1	10.30	
VZ125i	22	E07	B080000028A1	CIRCLIP	1	0.30	
VZ125i	23	E07	200313050020	COLLAR, SPRING	1	5.20	
VZ125i	24	E07	200123540010	PLATE ASSY, DRIVEN	1	228.60	
VZ125i	25	E07	200163050010	CENTRIFUGAL DISK COMBINATION	1	48.30	
VZ125i	26	E07	200123050010	NUT	1	2.80	

E08 LEFT COVER ASSEMBLY (左盖分总成)



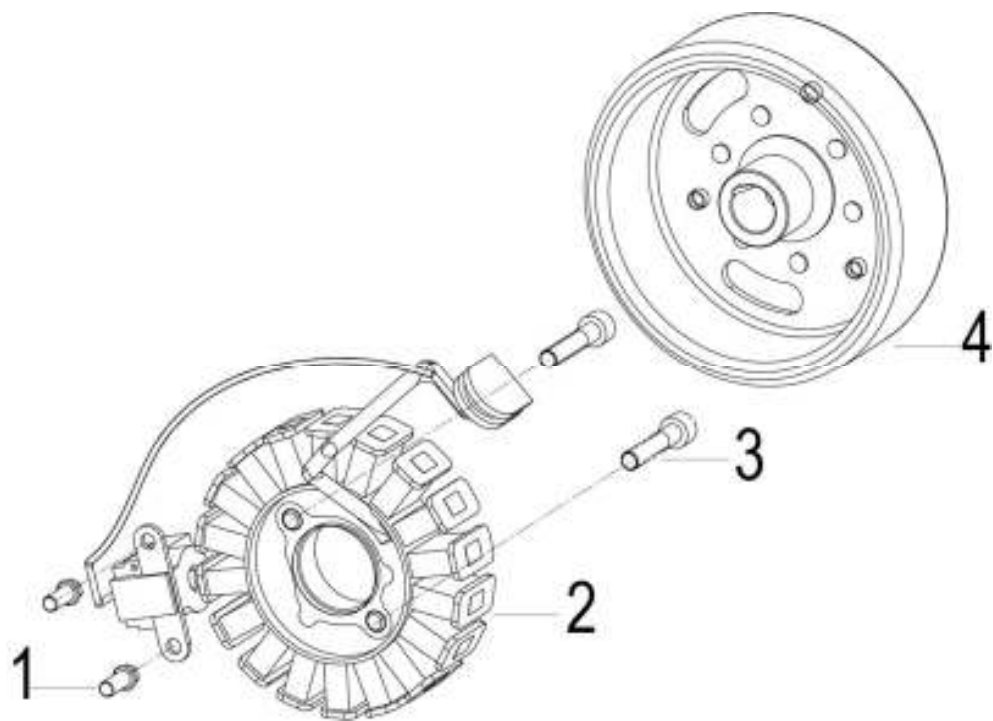
Model	NO.	Position No.	CODE	EN DESCRIPTION	Qty/Unit	price	NOTES
VZ125i	1	E08	16902361HT02	LEFT COVER,GREY,MARK:Benelli	1	159.80	
VZ125i	2	E08	169073610000	LEFT COVER WASHER	1	15.40	
VZ125i	3	E08	120093390000	WASHER	1	0.20	
VZ125i	4	E08	169203540000	WASHER	1	0.60	
VZ125i	5	E08	250033440000	PIN SHAFT	1	1.20	
VZ125i	6	E08	250062080000	KICK PINION ASSY	1	16.80	
VZ125i	7	E08	169273540000	KICKSTART SHAFT AND SECTOR	1	23.60	
VZ125i	8	E08	160111140000	CLIPS	1	0.60	
VZ125i	9	E08	169283610000	DUMMY PLATE II	1	4.80	
VZ125i	10	E08	B0500420070H	TAPPING SCREW ST4.2×7.5	5	0.10	
VZ125i	11	E08	250023440000	SPRING	1	4.50	
VZ125i	12	E08	250022080000	FEET START BEARING	1	2.10	
VZ125i	13	E08	169603540000	FEET START KICK	1	0.40	
VZ125i	14	E08	B080100015A1	WASHERS	1	0.20	
VZ125i	15	E08	B0107060306H	BOLT M6×30	13	0.80	
VZ125i	16	E08	B0107060406H	BOLT M6×40	3	0.80	
VZ125i	17	E08	B0107060206H	BOLT M6×20	3	0.50	
VZ125i	18	E08	57013T970000	CLIP II	1	1.20	
VZ125i	19	E08	169213610000	LEFT SMALL COVER	1	10.10	
VZ125i	20	E08	169273610000	DUMMY PLATE I	1	2.80	
VZ125i	21	E08	169243610000	PROTECT COVER	1	6.10	
VZ125i	22	E08	B1308040100H	SCREW W/WASHER M4×10	4	0.20	
VZ125i	23	E08	B0107060126H	BOLT M6×12	1	1.80	
VZ125i	24	E08	B0107060326H	BOLT M6×32	1	0.60	

E09 COOLING SYSTEM (冷却系统分总成)



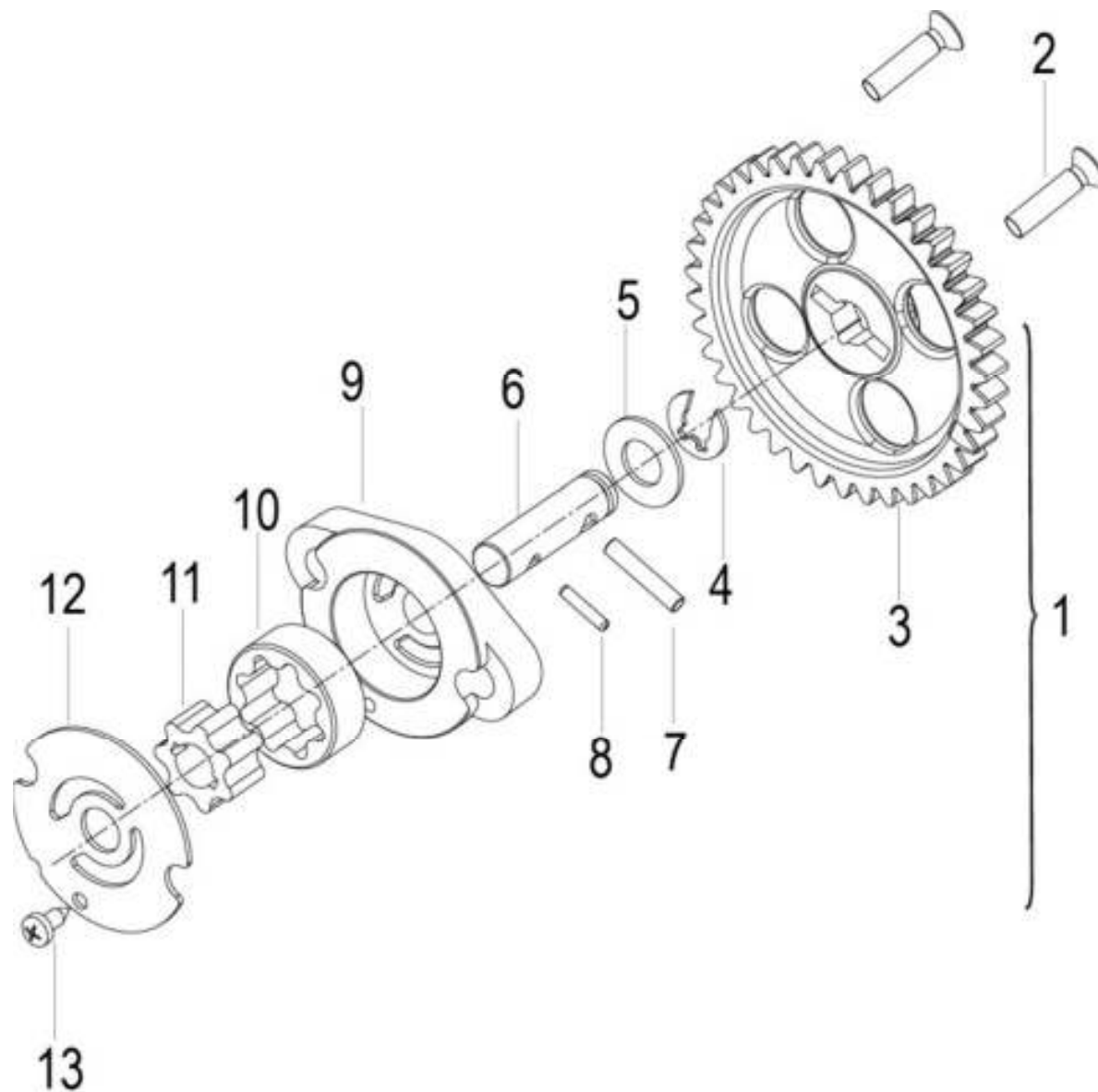
Model	NO.	Position No.	CODE	EN DESCRIPTION	Qty/Unit	price	NOTES
VZ125i	1	E09	270043540000	UNDER THE GUIDE ENCLOSURES WIND	1	6.50	
VZ125i	2	E09	270063540000	RUBBER BUSH	1	0.90	
VZ125i	3	E09	270073540000	BUSH	1	1.60	
VZ125i	4	E09	B0107060206H	BOLT M6×20	3	0.50	
VZ125i	5	E09	270053540000	COVER (CYLINDER) RUBBER	1	4.90	
VZ125i	6	E09	B0514480160H	TAPPING SCREWS	4	0.20	
VZ125i	7	E09	270033540010	THE GUIDE ENCLOSURES WIND	1	8.20	
VZ125i	8	E09	270033060000	NYLON CLIP	1	0.40	
VZ125i	9	E09	B0107060256H	BOLT M6×25	2	0.50	
VZ125i	10	E09	B0700000060H	SPRING WASHER 6	3	0.30	
VZ125i	11	E09	270143060010	OIL WINDOW BLOCKING COVER	1	1.20	
VZ125i	12	E09	270083740000	SPORAL CASE	1	13.70	
VZ125i	13	E09	279023570010	FAN ASSY	1	15.70	
VZ125i	14	E09	B0107060166H	BOLT M6×16	1	1.80	
VZ125i	15	E09	B0703000060H	WASHER 6	3	0.30	

E10 MAGNETO SUBASSEMBLY (磁电机分总成)



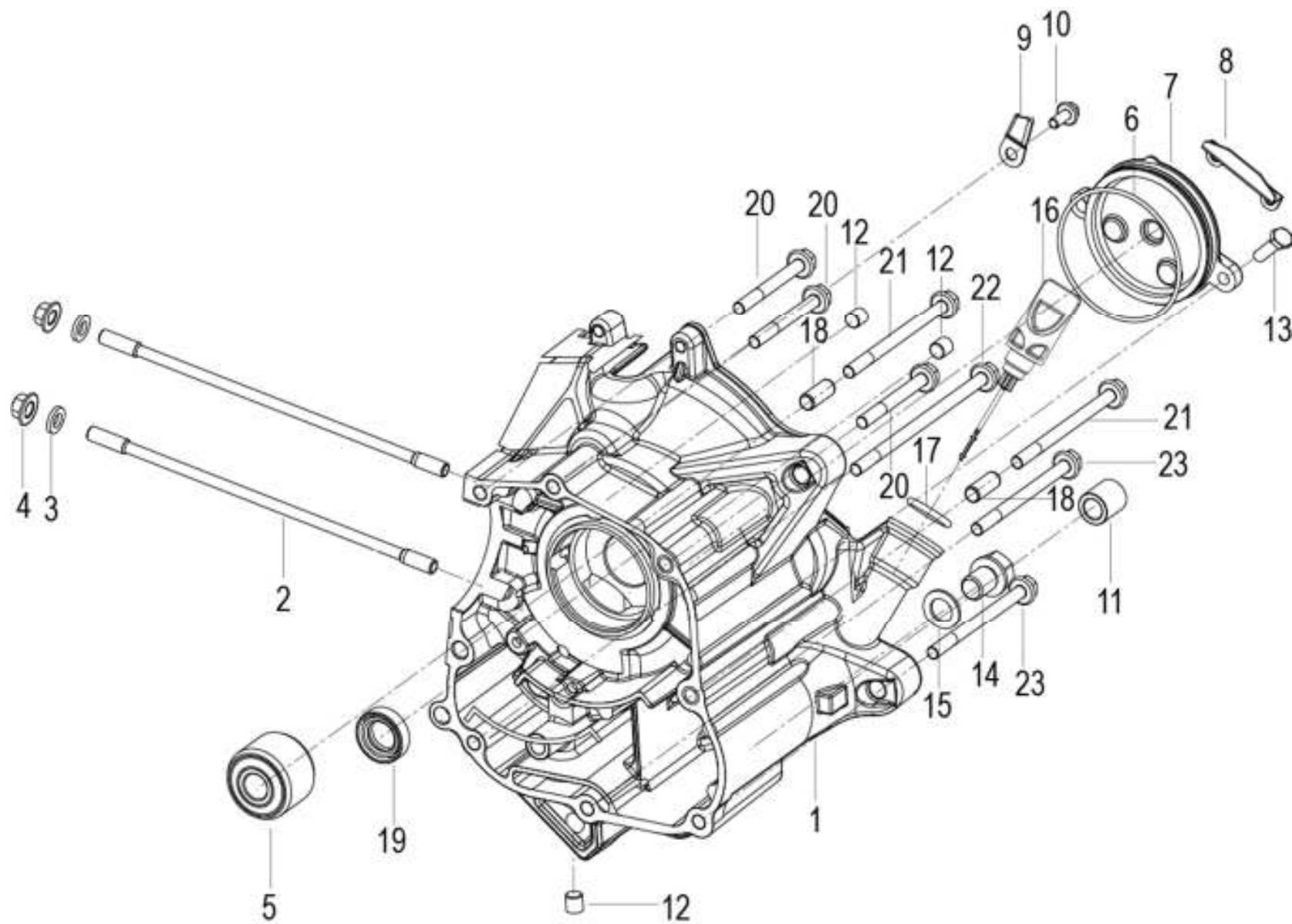
Model	NO.	Position No.	CODE	EN DESCRIPTION	Qty/Unit	price	NOTES
VZ125i	1	E10	B0107050126H	BOLT M5×12	2	0.40	
VZ125i	2	E10	299033540010	COIL ASSY	1	87.90	
VZ125i	3	E10	B0205060286H	SCREW M6×28	2	0.50	
VZ125i	4	E10	299023610000	FLY WHEEL ASSY	1	72.60	

E11 OIL PUMP ASSEMBLY(机油泵分总成)



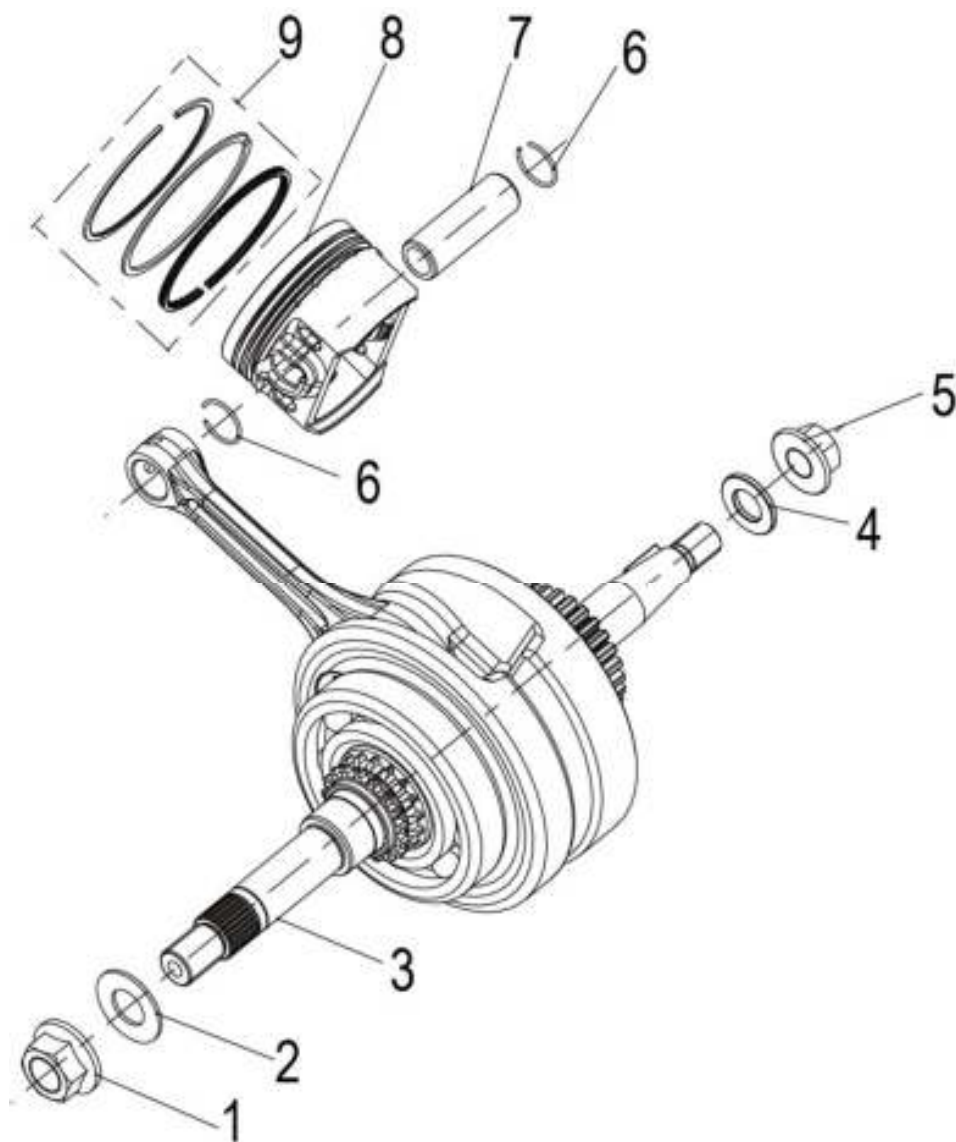
Model	NO.	Position No.	CODE	EN DESCRIPTION	Qty/Unit	price	NOTES
VZ125i	1	E11	269013540000	OIL PUMP ASSEMBLY	1	23.60	
VZ125i	2	E11	B0201060256H	BOLT	2	0.40	
VZ125i	3	E11	269033540000	OIL BUMP GEAR	1	3.60	
VZ125i	4	E11	B08030000601	CIRCLIP	1	0.30	
VZ125i	5	E11	24002208011X	GASKET 8	1	0.20	
VZ125i	6	E11	269083540000	THE OIL PUMP SHAFT	1	2.20	
VZ125i	7	E11	B090103016B0	PIN 3×16	1	0.30	
VZ125i	8	E11	B09142001021	PIN	1	0.20	
VZ125i	9	E11	269113540000	PUMP BODY	1	6.70	
VZ125i	10	E11	260022140000	OUTSIDE THE PUMP ROTOR	1	4.80	
VZ125i	11	E11	269123540000	INSIDE THE PUMP ROTOR	1	1.40	
VZ125i	12	E11	269143540000	COVER	1	1.80	
VZ125i	13	E11	B02000301062	TAPPING SCREW 3×10	1	0.20	

E12 RIGHT CRANKCASE ASSEMBLY POINTS(右曲轴箱分总成)



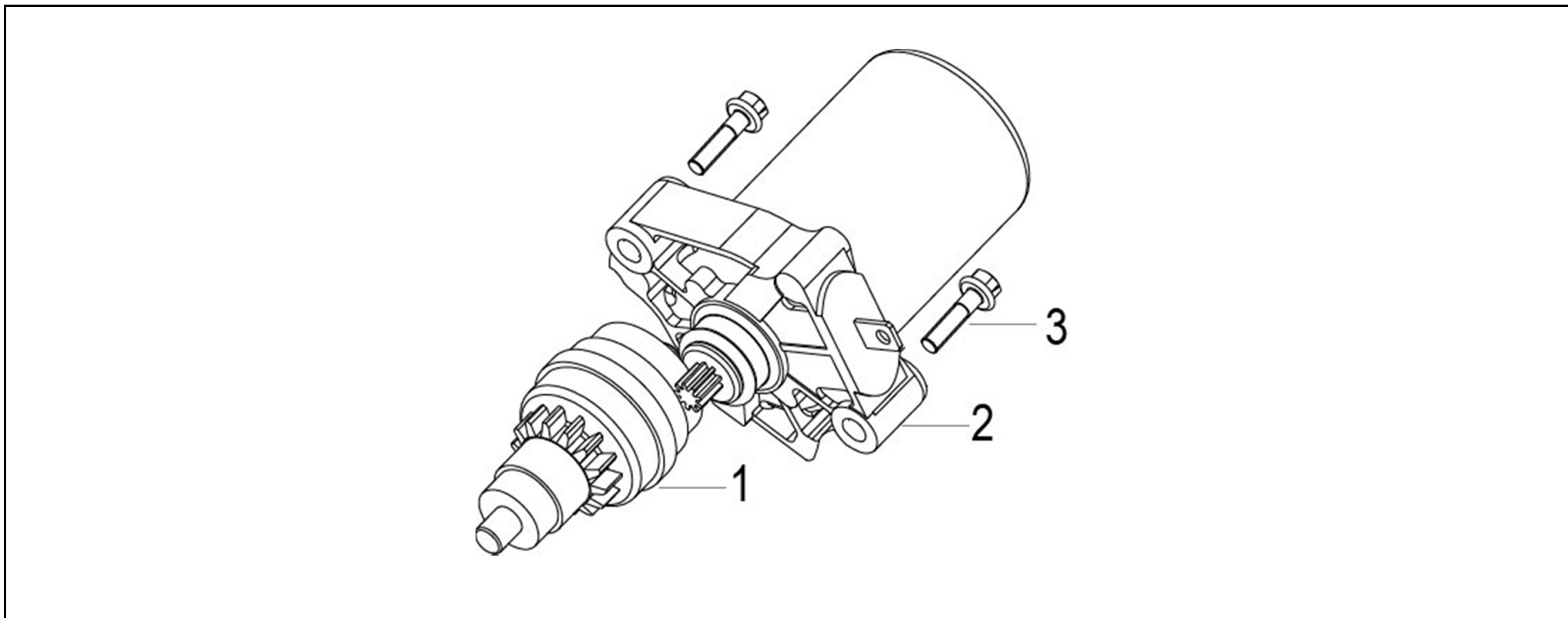
Model	NO.	Position No.	CODE	EN DESCRIPTION	Qty/Unit	price	NOTES
VZ125i	1	E12	150033610000	RIGHT CASE COMPONENT	1	196.80	
VZ125i	2	E12	159113540000	STUD BOLT	2	4.10	
VZ125i	3	E12	21039214002X	GASKET	2	0.20	
VZ125i	4	E12	27007208011X	NUT M7×1	2	0.90	
VZ125i	5	E12	150123050000	BEFORE INSTALLATION. ELASTIC	1	4.70	
VZ125i	6	E12	150063540000	O-RING	1	2.90	
VZ125i	7	E12	150083540000	OIL PUMP COVER	1	10.70	
VZ125i	8	E12	150053540000	PLATE I	1	0.40	
VZ125i	9	E12	150203540000	PLATE II	1	0.20	
VZ125i	10	E12	B0107050126H	BOLT M5×12	1	0.40	
VZ125i	11	E12	150043370000	BUSHING	1	2.50	
VZ125i	12	E12	150065050000	PLUG,OIL	3	0.90	
VZ125i	13	E12	B0103060206H	BOLT M6×20	1	0.40	
VZ125i	14	E12	150032140H00	PLUG DRAIN M12×1.5×15	1	1.60	
VZ125i	15	E12	210382140030	WASHER	1	0.20	
VZ125i	16	E12	150023540010	GAUGE,OIL LEVER	1	5.70	
VZ125i	17	E12	160063070000	O-RING	1	0.40	
VZ125i	18	E12	150103060010	PIN	2	0.50	
VZ125i	19	E12	150013540000	OIL SEAL	1	5.10	
VZ125i	20	E12	B0109060556H	BOLT M6×55	3	1.10	
VZ125i	21	E12	B0109060856H	BOLT M6×85	2	1.60	
VZ125i	22	E12	B0109061156H	BOLT M6×115	1	1.80	
VZ125i	23	E12	B0109060806H	BOLT M6×80	2	1.00	

E13 CRANK AND CONNECTING ROD PISTON SUB-ASSEMBLY (曲柄连杆活塞分总成)



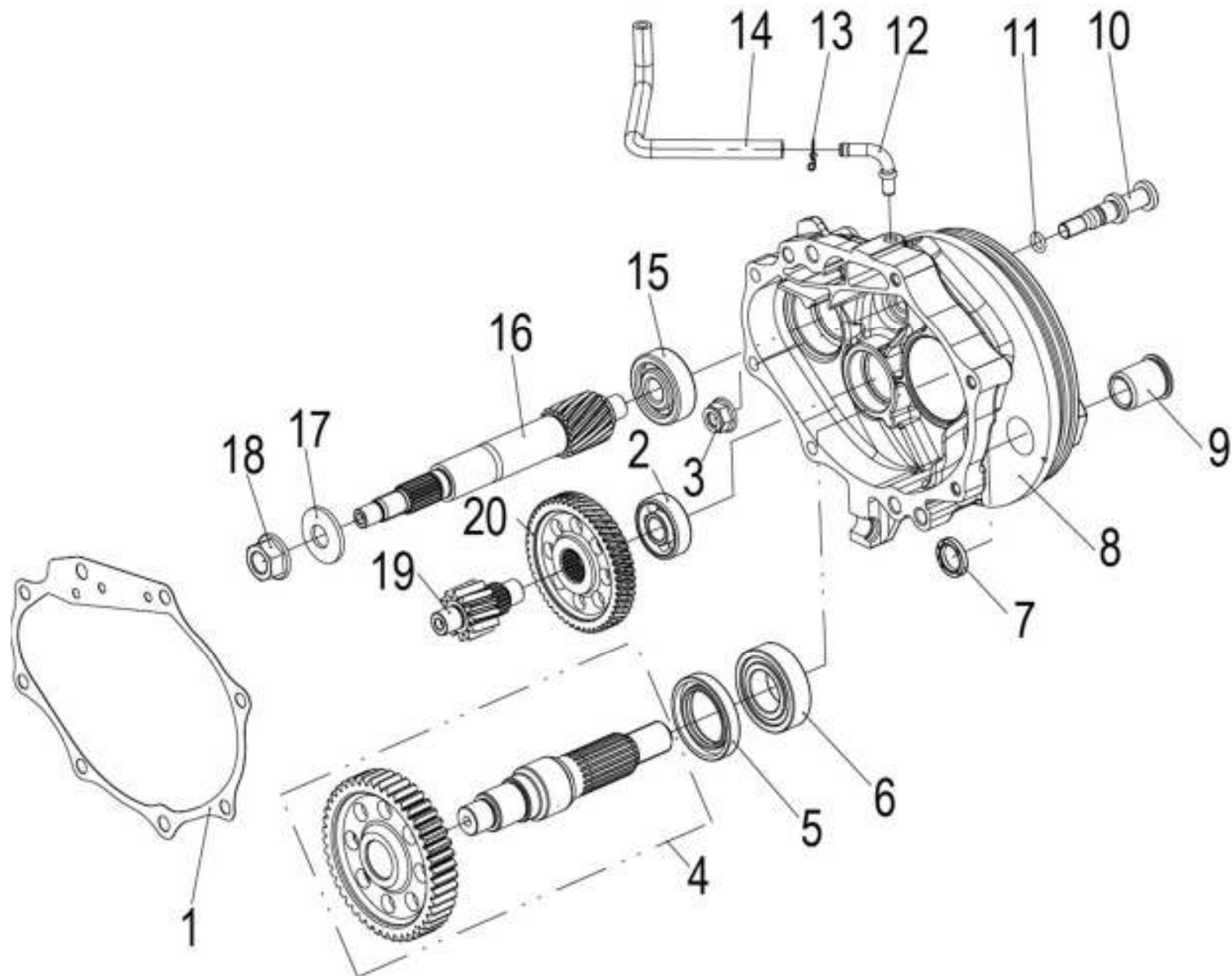
Model	NO.	Position No.	CODE	EN DESCRIPTION	Qty/Unit	price	NOTES
VZ125i	1	E13	240013060110	HEXAGON FLANGE NUTS M12X1.25	1	1.20	
VZ125i	2	E13	170131170001	WASHER	1	0.60	
VZ125i	3	E13	179013610010	PISTON COMPONENT	1	391.60	
VZ125i	4	E13	120096090000	WASHER	1	0.20	
VZ125i	5	E13	17006309011X	NUT	1	0.60	
VZ125i	6	E13	179154050000	CIRCLIP	2	0.20	
VZ125i	7	E13	179142140000	PIN,PISTON	1	5.60	
VZ125i	8	E13	179133570000	PISTON	1	27.10	
VZ125i	9	E13	170023420010	PISTON RING COMPONENT	1	24.20	

E14 ELECTRIC STARTER ASSY(电启动分总成)



Model	NO.	Position No.	CODE	EN DESCRIPTION	Qty/Unit	price	NOTES
VZ125i	1	E14	240013370000	STARTING ADAPTER SUB-ASSY	1	71.00	
VZ125i	2	E14	249013370000	STARTING MOTOR	1	105.00	
VZ125i	3	E14	B0182060356H	BOLT	2	1.00	

E15 TRANSMISSION SUB-ASSEMBLY (变速箱分总成)



Model	NO.	Position No.	CODE	EN DESCRIPTION	Qty/Unit	price	NOTES
VZ125i	1	E15	220013370000	PAPER PAD	1	8.00	
VZ125i	2	E15	B12016020101	BEARING	1	6.50	
VZ125i	3	E15	B0417080005H	SELF-LOCKING NUT	1	0.60	
VZ125i	4	E15	229043610000	TRANSMISSION OUTPUT SHAFT COMPONENTS	1	91.40	
VZ125i	5	E15	220043370000	OIL SEALS	1	13.30	
VZ125i	6	E15	B12016622207	BEARING	1	18.60	
VZ125i	7	E15	100033060000	OIL SEALS 14×20×3.2	1	2.00	
VZ125i	8	E15	22901361003X	TRANSMISSION COVER	1	112.60	
VZ125i	9	E15	100023060000	BUSHINGS	1	2.20	
VZ125i	10	E15	220113370000	PIN	1	1.40	
VZ125i	11	E15	160223070000	O-RING 6.8×1.9	1	0.30	
VZ125i	12	E15	220093370000	TRANSMISSION CHANNELING AIR DUCT	1	4.50	
VZ125i	13	E15	B17010090003	CLAMP	1	0.30	
VZ125i	14	E15	220053610000	VENTILATION DUCTS	1	3.30	
VZ125i	15	E15	B12016030107	NSK BEARING	1	45.20	
VZ125i	16	E15	229023610000	GEARBOX INPUT SHAFT	1	66.70	
VZ125i	17	E15	25005305001X	TAPER WASHER	1	0.40	
VZ125i	18	E15	27002305011X	HEXAGON NUTS WITH FLANGE	1	1.80	
VZ125i	19	E15	229063370000	INTERMEDIATE GEAR SHAFT	1	33.00	
VZ125i	20	E15	229073370000	INTERMEDIATE GEAR	1	38.60	